



Makita Werkzeug Ges.m.b.H.

Kolpingstrasse 13, 1230 Wien

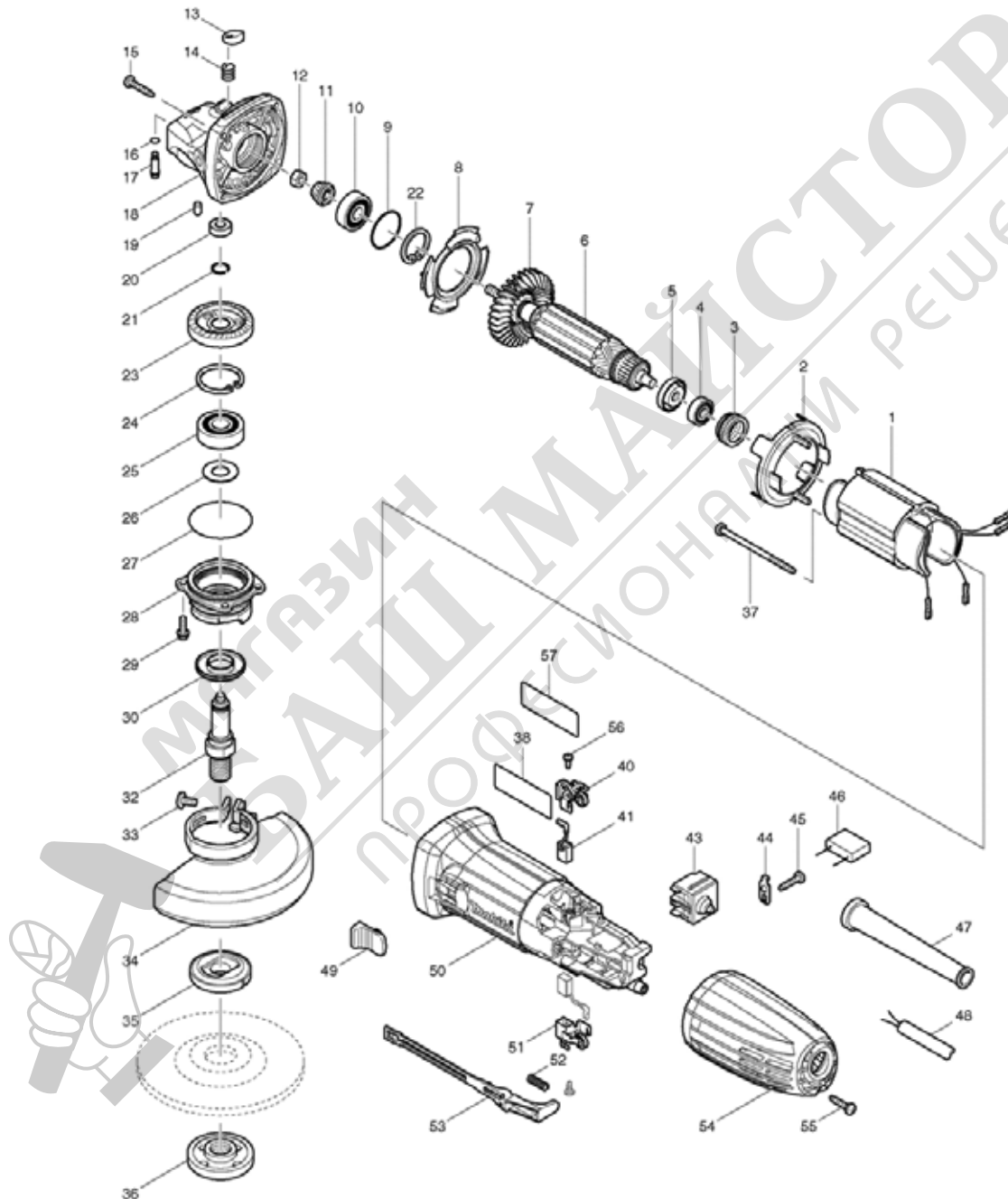
Tel: 01 / 616 27 30 - 0*

Fax: 01 / 616 27 30 - 40

Mail: verkauf@makita.at

Web: www.makita.at

Makita Service Information / Model: GA4530





Makita Werkzeug Ges.m.b.H.

Kolpingstrasse 13, 1230 Wien

Tel: 01 / 616 27 30 - 0*

Fax: 01 / 616 27 30 - 40

Mail: verkauf@makita.at

Web: www.makita.at

Makita Service Information / Model: GA4530

| POS | Bestell-Nr. | Artikelbeschreibung | Stk. | Stk.Preis |
|------|-------------|-------------------------------|------|-----------|
| 1 | 623533-4 | FELD GA5030/4530 | 1 | N/A |
| 2 | 450796-7 | LUFTABLEITPLATTE GA5030/4530 | 1 | N/A |
| 3 | 421868-5 | LABYRINTH-GUMMIRING 9554-95/G | 1 | N/A |
| 4 | 210034-7 | KUGELLAGER 607LLB | 1 | N/A |
| 5 | 681636-0 | ISOLIERSCHEIBE FS2300-6300 | 1 | N/A |
| 6 | 517649-4 | ANKER GA5030/4530 | 1 | N/A |
| 6 | | *** INC. 4,5,7 | | N/A |
| 7 | 240107-2 | LÜFTERRAD 56 GA5030/4530 | 1 | N/A |
| 7.2 | 240139-9 | LÜFTERRAD 56 GA5030/4530 | 1 | N/A |
| 8 | 413126-3 | FÜHRUNGSPLATTE GA5030/4530 | 1 | N/A |
| 9 | 213445-5 | O-RING 26 MT952/953/9554-58N | 1 | N/A |
| 10 | 211092-6 | KUGELLAGER 629DDW | 1 | N/A |
| 11 | 227545-5 | RITZEL 10 GA5030/4530 | 1 | N/A |
| 12 | 252186-8 | MUTTER M6 9554NB-9558NB | 1 | N/A |
| 13 | 417771-6 | KAPPE MT952/953/9554-9558NB | 1 | N/A |
| 14 | 234057-1 | DRUCKFEDER 8 GA5020/6020 neu | 1 | N/A |
| 15 | 266324-6 | SELBSTSCHNEID.SCHRAUBE 4x22 | 4 | N/A |
| 16 | 213960-9 | O-RING 5 9554NB-9558NB/BGA45 | 1 | N/A |
| 16.2 | 213032-0 | O-RING 4 9554NB-9558NB/BGA45 | 1 | N/A |
| 17 | 256510-7 | ANSATZSTIFT 4 GA5030/4530 | 1 | N/A |
| 18 | 318335-8 | GETRIEBEGEHÄUSE GA5030/GA4530 | 1 | N/A |
| 19 | 263002-9 | GUMMISTIFT 4 FS2300-6300 | 1 | N/A |
| 20 | 210033-9 | KUGELLAGER 696ZZ 2107FK/9554 | 1 | N/A |
| 21 | 233950-6 | RINGFEDER 11 | 1 | N/A |
| 22 | 962105-3 | SEEGERING R-26 | 1 | N/A |
| 23 | 227546-3 | TELLERRAD 37 GA5030/GA4530 | 1 | N/A |
| 24 | 962151-6 | SEEGERING R-32 | 1 | N/A |
| 25 | 211129-9 | KUGELLAGER 6201DDW neu | 1 | N/A |
| 26 | 267113-2 | SCHEIBE 12 | 1 | N/A |
| 27 | 213561-3 | O-RING 42 GA5030/GA4530 | 1 | N/A |
| 28 | 318336-6 | LAGERSCHILD GA5030/GA4530 | 1 | N/A |
| 29 | 265099-4 | SCHRAUBE M4x14 9554NB-9558NB | 4 | N/A |
| 30 | 345464-4 | LABYRINTHRING 9554NB-9558NB/B | 1 | N/A |
| 32 | 324954-0 | SPINDEL GA5030/GA4530 | 1 | N/A |
| 33 | 265180-1 | SCHRAUBE M5x16 GA6021/GA4530 | 1 | N/A |
| 34 | 135245-2 | SCHEIBENSCHUTZ 115K GA4530 | 1 | N/A |
| 34 | | *** INC. 33 | | N/A |
| 34.2 | 122886-3 | Scheibenschutz 9554NB/GA4530 | 1 | N/A |
| 34.2 | | *** INC. 33 | | N/A |
| 35 | 224415-9 | INNENFLANSCH 42 neuer | 1 | N/A |



Makita Werkzeug Ges.m.b.H.

Kolpingstrasse 13, 1230 Wien

Tel: 01 / 616 27 30 - 0*

Fax: 01 / 616 27 30 - 40

Mail: verkauf@makita.at

Web: www.makita.at

Makita Service Information / Model: GA4530

| POS | Bestell-Nr. | Artikelbeschreibung | Stk. | Stk.Preis |
|--------|-------------|-------------------------------|------|-----------|
| 36 | 224554-5 | FLANSCHMUTTER 45mm neu | 1 | N/A |
| 37 | 266325-4 | SELBSTSCHNEID. SCHRAUBE 4x70 | 2 | N/A |
| 38 | 866050-3 | TYPENSCHILD GA4530 | 1 | N/A |
| 40 | 643839-4 | KOHLLENHALTER 6x9 GA5030/4530 | 1 | N/A |
| 41 | 194722-3 | KOHLLEN CB-459 GA5030/GA4530 | 1 | N/A |
| 43 | 650560-8 | SCHALTER 9554-9558NB/GD0600/0 | 1 | N/A |
| 44 | 687681-3 | KABELKLEMMPLATTE GA5030/4530 | 1 | N/A |
| 45 | 266326-2 | SELBSTSCHNEID. SCHRAUBE 4x18 | 1 | N/A |
| 46 | 645200-1 | KONDENSATOR HP1641 | 1 | N/A |
| 46.2 | 638739-1 | KONDENSATOR HP1641 | 1 | N/A |
| 47 | 682559-5 | KABELSCHUTZ 8 | 1 | N/A |
| 48 | 665394-6 | KABEL 1.0-2-2.5 9566CR/CVR | 1 | N/A |
| 49 | 419566-3 | SCHALTERKNOPF 9554-9558NB neu | 1 | N/A |
| 50 | 450795-9 | MOTORGEHÄUSE GA5030/GA4530 | 1 | N/A |
| 50.2 | 451128-1 | MOTORGEHÄUSE GA5030/GA4530 | 1 | N/A |
| 51 | 643839-4 | KOHLLENHALTER 6x9 GA5030/4530 | 1 | N/A |
| 52 | 233121-5 | DRUCKFEDER 4 9554-9558NB/GD0 | 1 | N/A |
| 53 | 450797-5 | SCHALTERHEBEL GA5030/GA4530 | 1 | N/A |
| 54 | 450794-1 | MOTORGEHÄUSEDECKEL GA5030 | 1 | N/A |
| 55 | 266326-2 | SELBSTSCHNEID. SCHRAUBE 4x18 | 1 | N/A |
| 56 | 265954-0 | SELBSTSCHNEID.SCHRAUBE 3x8 | 2 | N/A |
| 56.2 | 266492-5 | SELBSTSCHNEID.SCHRAUBE 3x8 | 2 | N/A |
| 57 | 819327-5 | ETIKETTE GA5030/GA4530 | 1 | N/A |
| 57.2 | 891976-0 | CLEAR LABEL | 1 | N/A |
| 1001 | 153504-2 | GRIFF 36 GA5020/6020/GA5030 | 1 | N/A |
| 1001.2 | 153489-2 | GRIFF 36 M8 | 1 | N/A |
| 1002 | 782423-1 | STIRNLOCHSCHLÜSSEL 35 mm | 1 | N/A |
| 1004 | A-80640 | Schruppsch. 115x6 | 1 | N/A |
| 1004.2 | A-80927 | SCHRUPPSCHEIBE 115x6x22 | 1 | N/A |
| 5001 | 808153-7 | SICHERHEITSAUFKLEBER GA5030 | 1 | N/A |

