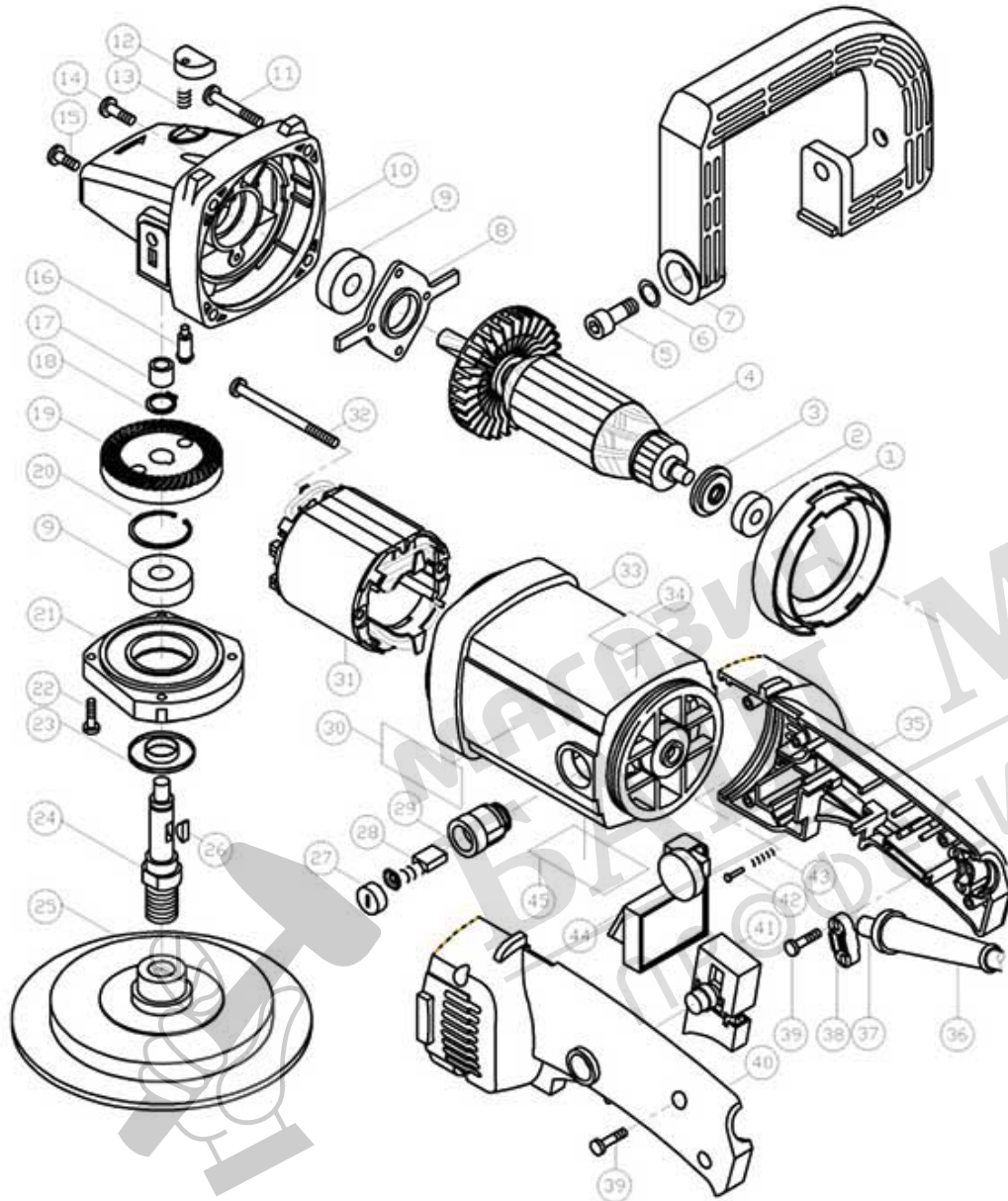


SPARE PARTS LIST



1. Wind ring	24. Output shaft
2. Bearing	25. Polishing
3. Creepage ring	26. Woodruff key
4. Rotor	27. Brush holder cover
5. Socket Head Cap Screws	28. Brush
6. Gasket	29. Brush holder
7. Ring handle	30. Nameplate
8. Gland bearing	31. The stator
9. Bearing	32. Screw
10. The skull	33. Case
11. Screw	34. Trademark
12. Self-locking cap	35. Right handle
13. Self-locking pin spring	36. Cable sheath
14. Screw	37. Cable
15. Screw	38. Cable plate
16. Self-locking pin	39. Screw
17. Bearings	40. Left Handle
18. Shaft Collar	41. Switch
19. Gear	42. Rivet
20. Hole with a ring	43. Small spring
21. Front cover	44. Speed switch
22. Screw	45. Trademark
23. Dust	