

1106005 KOINE 4 380V 50HZ

3223425_1106005_R21W - R21W (28/2/2022)



Access Platform Division

Via San Francesco d'Assisi, 8 - 46020 Pegognaga (Mantova) - ITALY Tel. +39 0376
554011 - Fax +39 0376 559855

www.imergroup.com

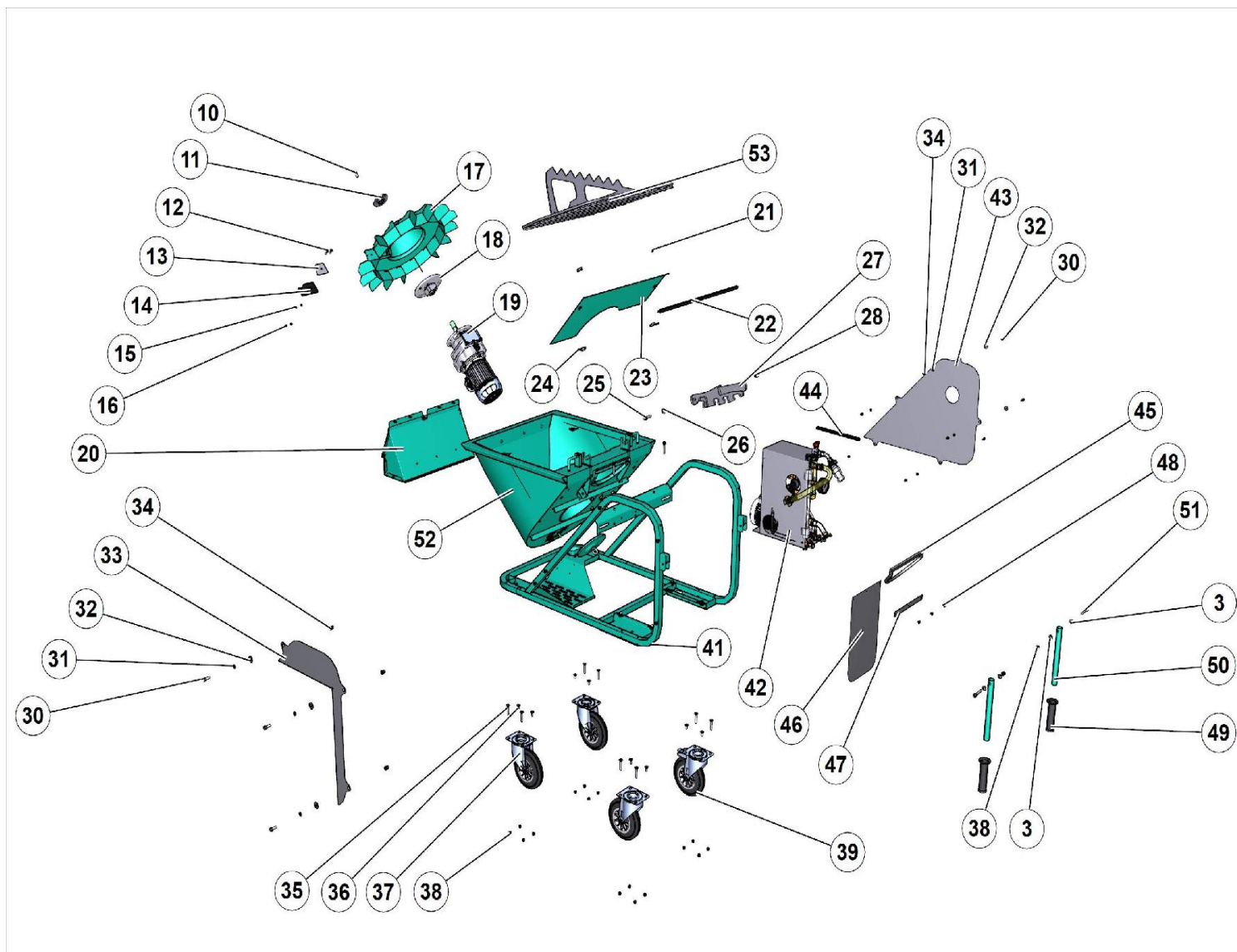
Building Equipment Division

Via della Meccanica, 39 (Zona Industriale Sentino) - 53040 Rapolano Terme
(Siena) - ITALY - Tel. +39 0577 97341 - Fax +39 0577 704077

www.imergroup.com

www.imerglobalcustomercare.com

MACHINE STRUCTUR





N.	CODE	DESCRIPTION	UM	QTY
3	2224140	ROLLER 6593	PZ	2
10	3200389	SCREW TCEI 5931 12X 25 Z	PZ	1
11	3223376	FLANGE	PZ	1
12	3225176	SCREW TTCQ 5732-65 M6X25 Z		2
13	3223399	PLATE	PZ	1
14	3223397	SCRAPER	PZ	1
15	2224530	ROLLER/MN	PZ	2
16	3211470	NUT	PZ	2
17	3223394	CELL WHEEL	PZ	1
18	3223377	WHEEL SUPPORT	PZ	1
19	3227550	GEARMOTOR RUOTA CELLE KOINE 4/5 N	PZ	1
20	3234104	KOINE 4 / 5 TOOL BOX KIT	PZ	1
21	3224628	SPLIT PIN	PZ	2
22	3262962	GASKET	M	1
23	3229264	KOINE 4-5 DUST COVER PLATE	PZ	1
24	2226700	SPLIT PIN	PZ	2
25	2222073	SCREW/MN	PZ	1
26	2224340	ROLLER/MORTAR PUMP	PZ	1
27	3229325	LOCKING HANDLE	PZ	1
28	2223920	SELF-LOCKING NUT	PZ	1
30	2222060	SCREW	PZ	6

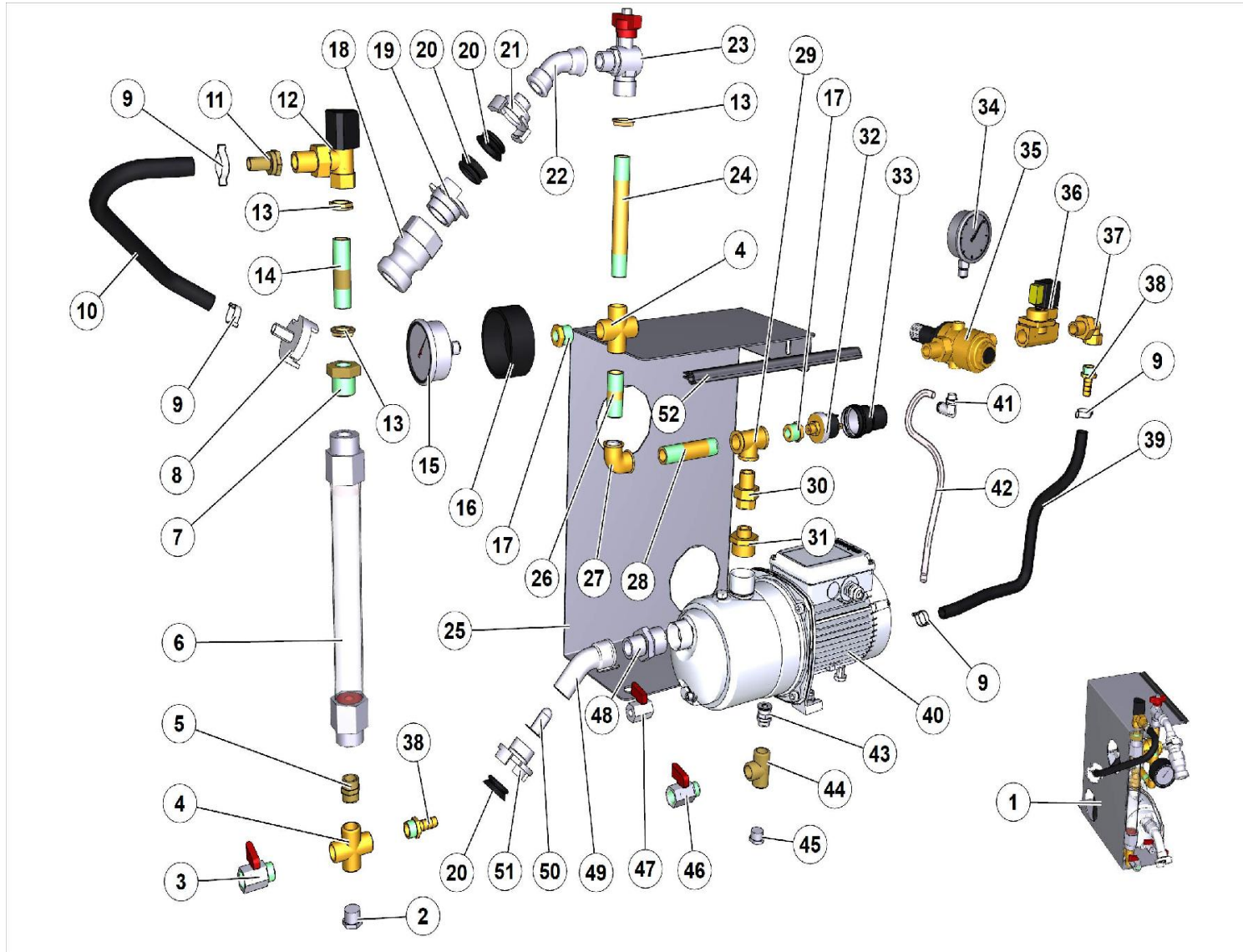


N.	CODE	DESCRIPTION	UM	QTY
31	2224060	ROLLER GROWER	PZ	6
32	2224204	ROLLER/SAW	PZ	6
33	3224140	CARTER	PZ	1
34	2224005	THREADED INSERT M8*9418-2822*	PZ	6
35	3223986	SCREW TTCQ 5732-65 M8X50 Z	PZ	8
36	3223987	SCREW TTCQ 5732-65 M8X20 Z	PZ	8
37	3223422	FREE RUBBER WHEEL D.200X70	PZ	2
38	2223923	LOCK NUT	PZ	18
39	3223421	RUBBER WHEEL D.200X70 WITH BLOCK.	PZ	2
41	3223412	FRAME	PZ	1
42	3223430	WATER CIRCUIT	PZ	1
43	3224139	RIGHT CARTER KOINE 4-5	PZ	1
44	3262962	GASKET	M	1
45	3223995	SEAL	M	1
46	3224148	REAR APRON	PZ	1
47	3224150	REAR APRON SHEET		1
48	2288788	Self-tapping screw	PZ	3
49	2288893	HANDLE	PZ	2
50	3223716	HANDLE	PZ	2
51	2222176	SCREW	PZ	2
52	3223726	DRUM		1



N.	CODE	DESCRIPTION	UM	QTY
53	3223724	KOINE 4 GRID PAINTED	PZ	1

WATER PLANT





N.	CODE	DESCRIPTION	UM	QTY
1	3223430	WATER CIRCUIT	PZ	1
2	3223610	CAP	PZ	1
3	3223622	VALVE	PZ	1
4	3223606	CONNECTOR	PZ	2
5	3236069	'REDUCED NIPLES 3/4" 1/2"BRASS'	PZ	1
6	3224578	FLOW METER	PZ	1
7	3224957	REDUCTION 3/4/SCREW PUMP	PZ	1
8	3223615	RAPID CONNECTION/SCREW PUMP	PZ	1
9	3223638	RING CLIP	PZ	4
10	3223635	WATER PIPE DIAM. 13 15BAR L 40 CM	PZ	1
11	3224169	HOSE FITTING	PZ	1
12	3223627	VALVE	PZ	1
13	3223730	FLANGED RINGNUT	PZ	3
14	3223958	BRANCH	PZ	1
15	3223625	PRESSURE GAUGE/MORTAR PUMP	PZ	1
16	3224176	RUBBER COVER	PZ	1
17	3223609	REDUCER	PZ	2
18	3223721	FIXATION/SCREW PUMP	PZ	1
19	3223722	MALE QUICK COUPLING/MORTAR PUMP	PZ	1
20	3223697	GASKET/MORTAR PUMP	PZ	3
21	3224203	RAPID FIXATION/SCREW PUMP	PZ	1

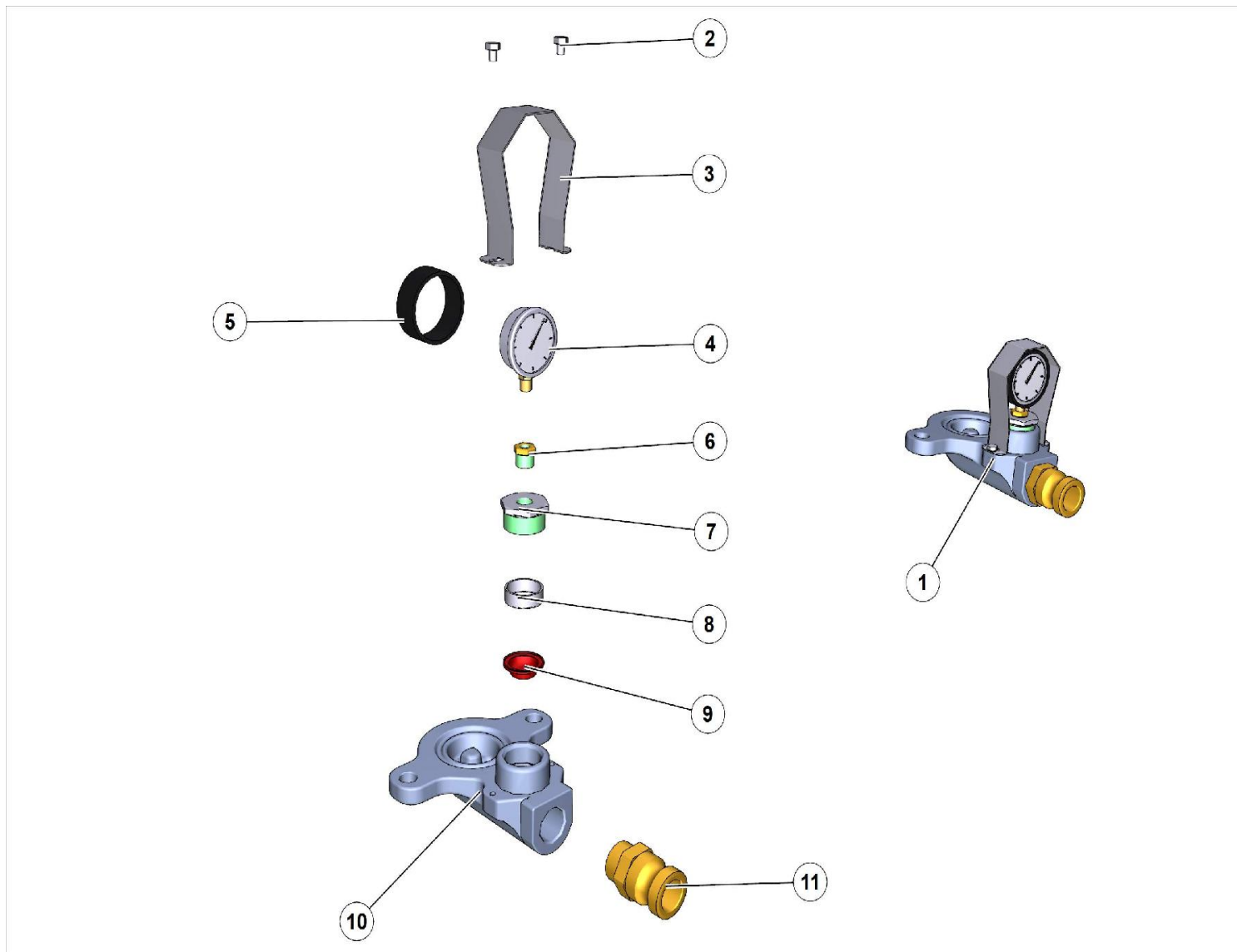


N.	CODE	DESCRIPTION	UM	QTY
22	3224205	BEND	PZ	1
23	3223628	VALVE	PZ	1
24	3223611	BRANCH FITTING	PZ	1
25	3223729	PUMP PROTECTION	PZ	1
26	3223632	BRANCH	PZ	1
27	3224168	ELBOW FITTING 90°	PZ	1
28	3223957	BRANCH	PZ	1
29	3223617	CONNECTOR	PZ	1
30	3223618	PIPE UNION/SCREW PIPE	PZ	1
31	3223619	NIPPLE	PZ	1
32	3223630	WATER PRESSURE SWITCH	PZ	1
33	3226173	RUBBER HOOD FOR PRESSURE SWITCH	PZ	1
34	3223626	PRESSURE GAUGE	PZ	1
35	3223629	PRESSURE REDUCTOR	PZ	1
36	3223631	SOLENOID VALVE	PZ	1
37	3223637	ELBOW FITTING	PZ	1
38	3223613	HOSE CLAMP/SCREW PUMP	PZ	2
39	3223634	WATER HOSE	PZ	1
40	3224597	CALPEDA PUMP	PZ	1
41	3223624	CONNECTOR	PZ	1
42	1272701	TUBE/SCREW PUMP	M	1



N.	CODE	DESCRIPTION	UM	QTY
43	3223623	CONNECTOR	PZ	1
44	3223616	CONNECTOR	PZ	1
45	3223612	CAP	PZ	1
46	3223621	VALVE	PZ	1
47	3223620	VALVE	PZ	1
48	3224170	NIPPLE	PZ	1
49	3224171	45° BEND	PZ	1
50	3223639	WATER FILTER/MORTAR PUMP	PZ	1
51	3223636	QUICK CONNECTOR	PZ	1
52	3262962	GASKET	M	1

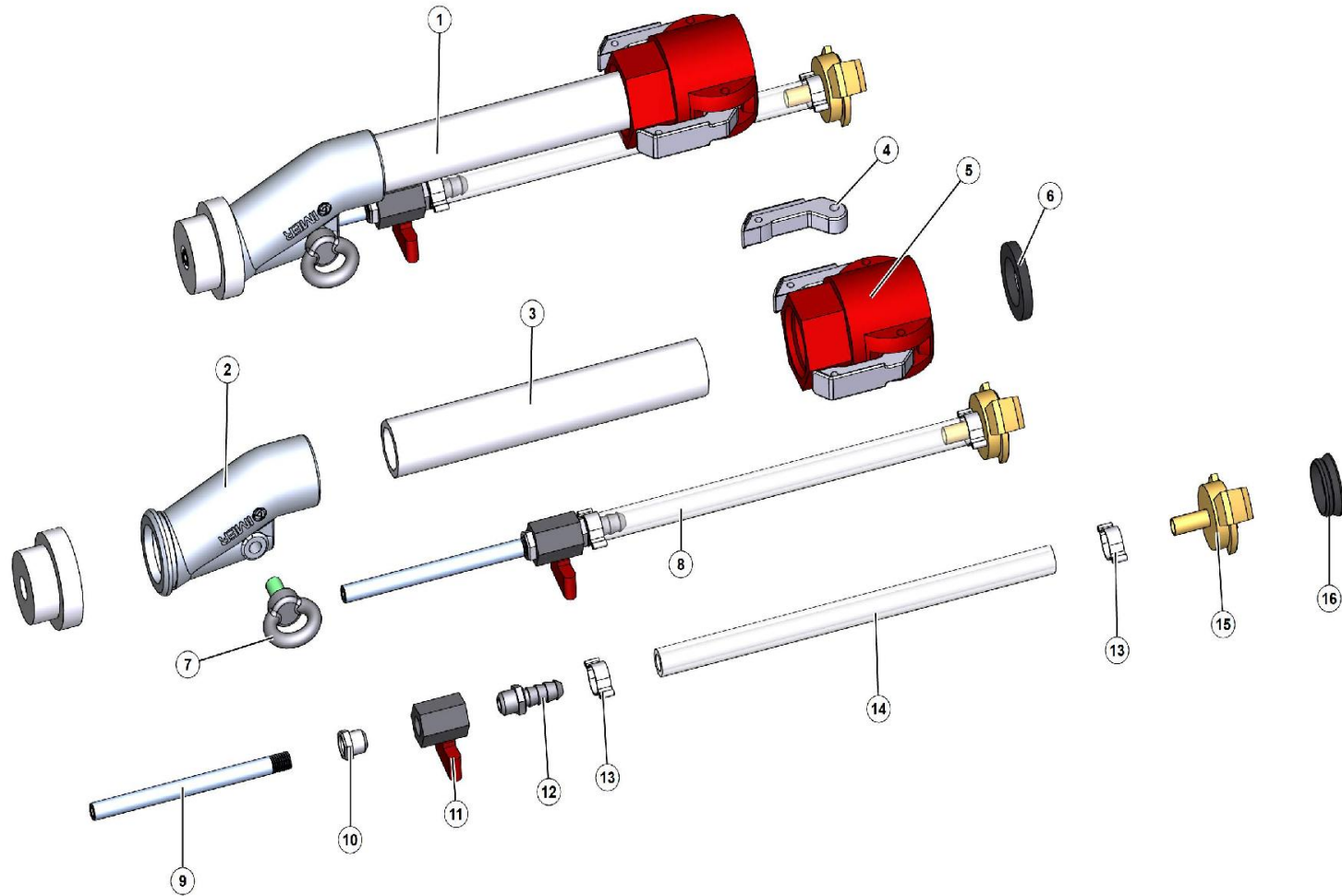
MANIFOLD





N.	CODE	DESCRIPTION	UM	QTY
1	3223416	MANIFOLD	PZ	1
2	2222015	SCREW	PZ	2
3	3223389	GUARD	PZ	1
4	3223689	MANOMETER/SCREW PUMP	PZ	1
5	3223690	COVER	PZ	1
6	3223609	REDUCER	PZ	1
7	3224173	REDUCTION	PZ	1
8	3223391	SPACER	PZ	1
9	3223392	MANOMETER'S MEMBRANE/MORTAR PUMP	PZ	1
10	3223388	MANIFOLD	PZ	1
11	3223703	'CAM CONNECTION DN35 M-1 "1/4" G M'	PZ	2

SPRAY GUN DN 25





N.	CODE	DESCRIPTION	UM	QTY
1	1107540	Spray gun Koine		1
2	3223345	SPRAYJET HEAD/SCREW PUMP	PZ	1
3	3223348	TUBE	PZ	1
4	3224498	HANDLE/MORTAR PUMP	PZ	1
5	3224701	CAM COUPLING/SCREW PUMP	PZ	1
6	3224830	GASKET/MORTAR PUMP	PZ	1
7	3209356	EYE-BOLT/MORTAR PUMP	PZ	1
8	3225598	AIR HOSE/SCREW PUMP	PZ	1
9	3223350	AIR PIPE L = 130	PZ	1
10	3227954	REDUCER	PZ	1
11	3227953	VALVE/SCREW PUMP	PZ	1
12	3227955	'HOSE HOLDER M.1 / 4 "X12 BRASS'	PZ	1
13	3224823	RING CLAMPS	PZ	2
14	2292365	LINE/SAW	M	1
15	3224818	QUICK COUPLING WITH RUBBER HOSE D.10	PZ	1
16	3223697	GASKET/MORTAR PUMP	PZ	1

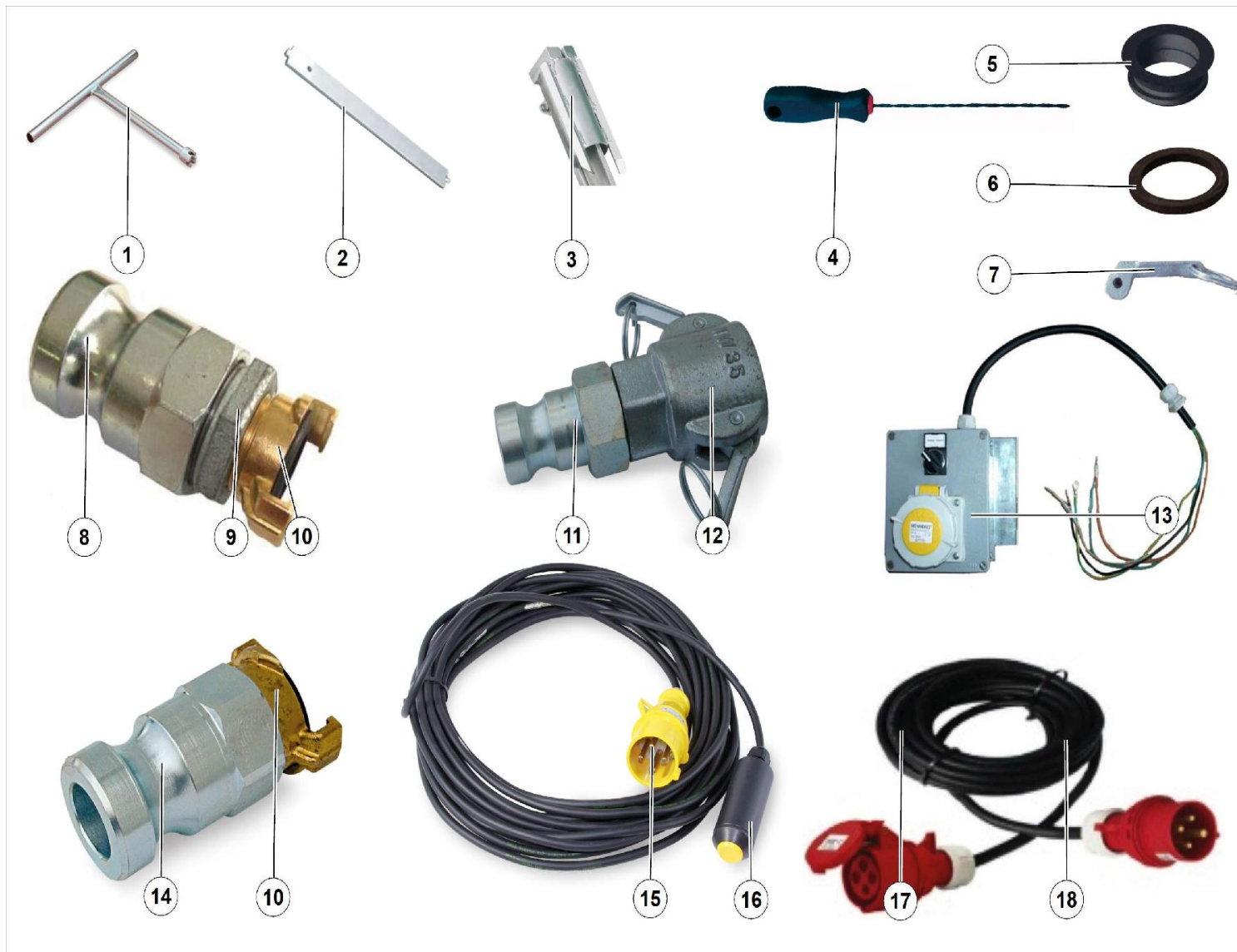
HOSES AND COUPLINGS





N.	CODE	DESCRIPTION	UM	QTY
1	3225934	CAMLOCK COUPLING DN 27 F	PZ	1
2	3225936	CAMLOCK COUPLING/SCREW PUMP	PZ	1
3	3224831	GASKET/MORTAR PUMP	PZ	1
4	3224830	GASKET/MORTAR PUMP	PZ	1
5	3224498	HANDLE/MORTAR PUMP	PZ	1
6	3225943	HOSE CLAMP/SCREW PUMP	PZ	1
7	3225942	HOSE CLAMP/SCREW PUMP	PZ	1
8	3225935	CAMLOCK COUPLING/SCREW PUMP	PZ	1
9	3225933	CAMLOCK COUPLING	PZ	1
10	3228465	WATER HOSE	PZ	1
11	3223706	WATER HOSE	PZ	1

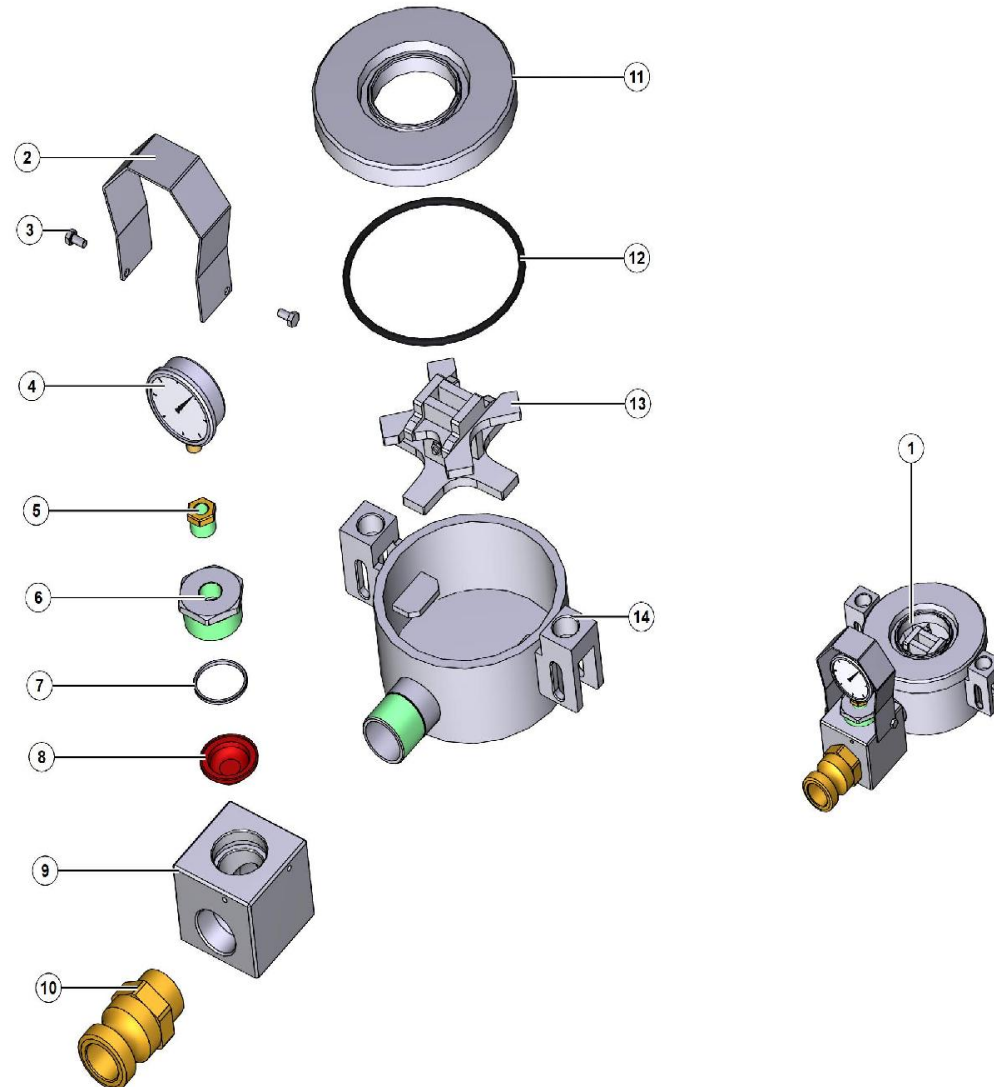
ACCESSORIES





N.	CODE	DESCRIPTION	UM	QTY
1	3223354	WRENCH	PZ	1
2	3223347	VERTICAL SECTION	PZ	1
3	3223349	SCRAPER	PZ	1
4	3223694	NOZZLE CLEANER/SCREW PUMP	PZ	1
5	3223697	GASKET/MORTAR PUMP	PZ	1
6	3224831	GASKET/MORTAR PUMP	PZ	1
7	3224498	HANDLE/MORTAR PUMP	PZ	1
8	3224361	CAM COUPLING	PZ	1
9	3224622	'REDUCTION M.1 1/4 "F.1" CAST IRON Z'	PZ	1
10	3223722	MALE QUICK COUPLING/MORTAR PUMP	PZ	2
11	3223390	CAMLOCK COUPLING	PZ	1
12	3223704	CAMLOCK COUPLING DN35	PZ	1
13	3225366	KIT	PZ	1
14	3223721	FIXATION/SCREW PUMP	PZ	1
15	3227170	PLUG	PZ	1
16	3230533	COMPLETE BUTTON REMOTE CONTROL. R1	PZ	1
17	3233958	ELECTRICAL PANEL	PZ	1
18	3223699	CABLE H07RN-F4X4 + PLUG 380V 32A 20M	PZ	1

TURBO MIXER FOR STATOR "D"

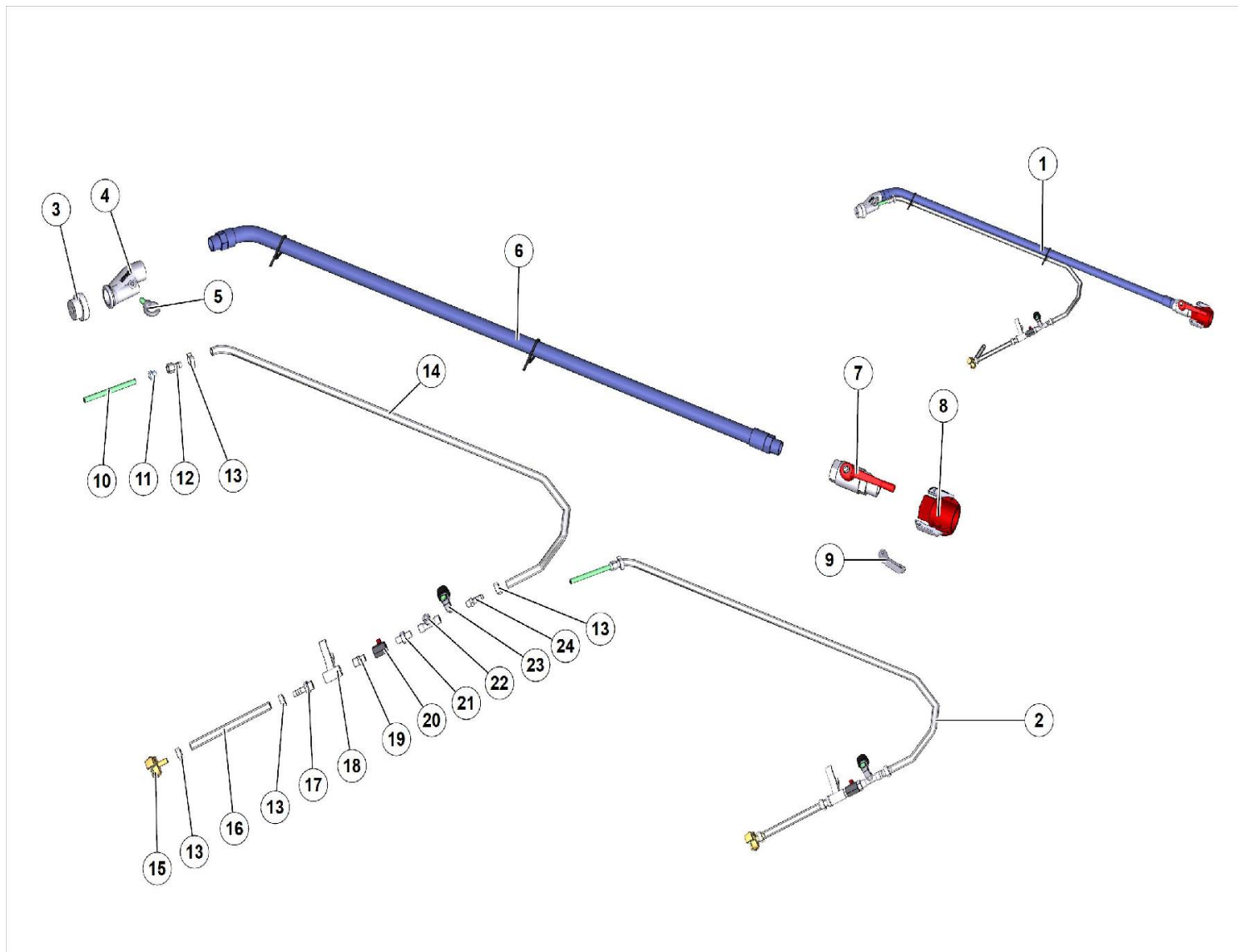




N.	CODE	DESCRIPTION	UM	QTY
1	1107517	KOINE 4/5 TURBO MIXER 'D' SERIES		1
2	3236056	KOINE PRESSURE GAUGE COVER	PZ	1
3	1222004	1222004 BOLT		2
4	3223689	MANOMETER/SCREW PUMP	PZ	1
5	3223609	REDUCER	PZ	1
6	3224173	REDUCTION	PZ	1
7	3225902	SPACER/SCREW PUMP	PZ	1
8	3223392	MANOMETER'S MEMBRANE/MORTAR PUMP	PZ	1
9	3236057	KOINE 4 BODY PRESSURE GAUGE GALVANIZED	PZ	1
10	3223703	'CAM CONNECTION DN35 M-1 "1/4" G M'	PZ	1
11	3224158	ZINC TURBOMIXER BASIC CAP	PZ	1
12	3224329	RING OR 8-215 D.139.7X5.34	PZ	1
13	3237380	KOINE 4 TURBOMIXER MOUNTED	PZ	1
14	3223794	KOINE TURBOMIXER BASE	PZ	1



SPRAY GUN DN25



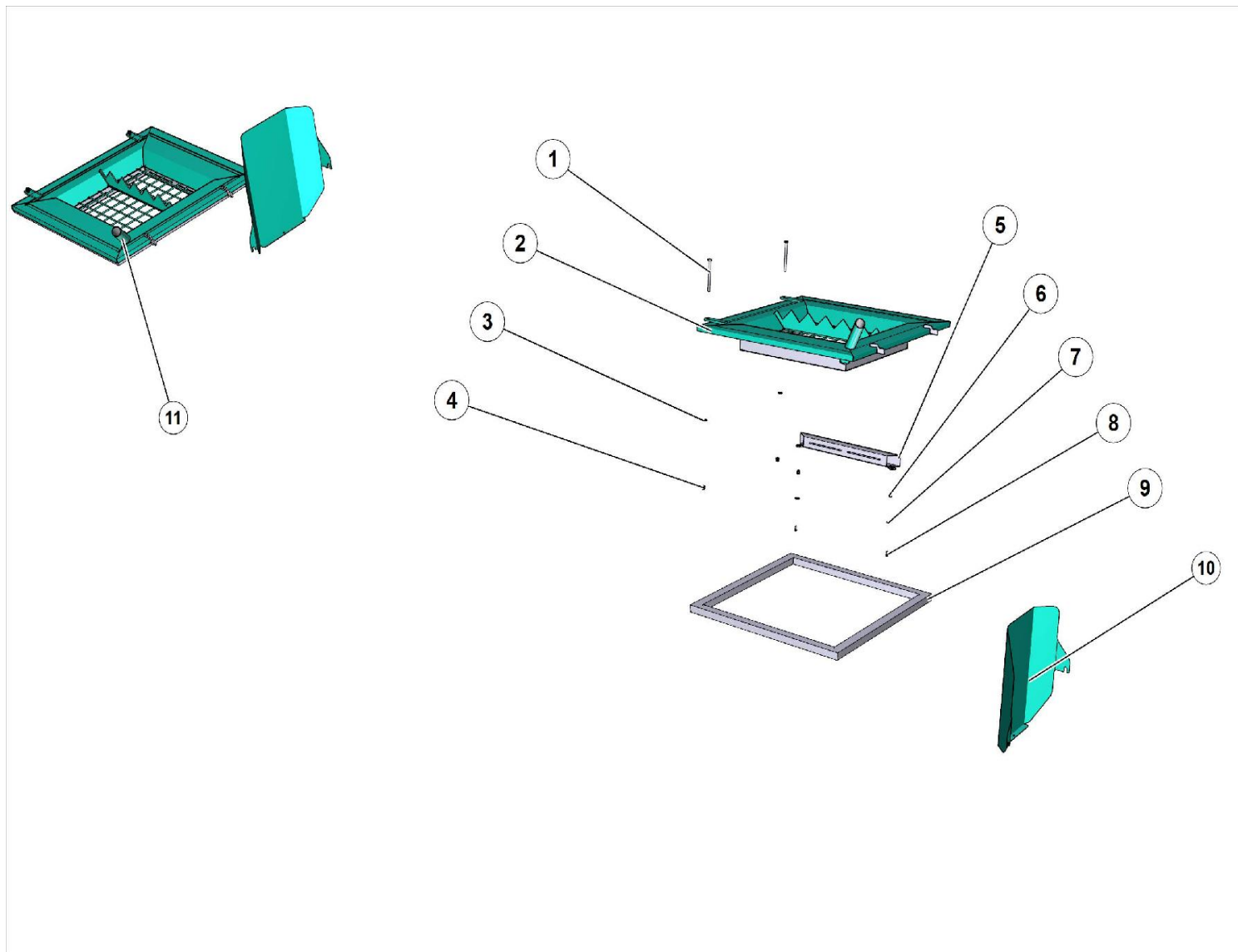


N.	CODE	DESCRIPTION	UM	QTY
1	1107549	Fire-proof spray gun		1
2	3226421	AIR HOSE		1
3	1107553	10 pces deflectors kit d. 14		1
4	3223345	SPRAYJET HEAD/SCREW PUMP	PZ	1
5	3209356	EYE-BOLT/MORTAR PUMP	PZ	1
6	3229626	EXTENSION PVC PN16 D.32 ASSEMBLED WITH	PZ	1
7	3225833	VALVE/MORTAR PUMP	PZ	1
8	3224701	CAM COUPLING/SCREW PUMP	PZ	1
9	3224498	HANDLE/MORTAR PUMP	PZ	2
10	3223350	AIR PIPE L = 130	PZ	1
11	3227954	REDUCER	PZ	1
12	3228674	RUBBER HOLDER	PZ	1
13	3224823	RING CLAMPS	PZ	4
14	2292365	LINE/SAW	M	1
15	3224818	QUICK COUPLING WITH RUBBER HOSE D.10	PZ	1
16	2292365	LINE/SAW	M	1
17	3228354	'HOSE HOLDER M.3 / 8 "X12 BRASS'	PZ	1
18	3223344	'RING FITTING WITH THREAD 3/8 "F.'	PZ	1
19	3228353	NIPPLES	PZ	1
20	3227953	VALVE/SCREW PUMP	PZ	1
21	3225186	NIPPLES		1



N.	CODE	DESCRIPTION	UM	QTY
22	3224968	COUPLING	PZ	1
23	3224496	VALVE/SCREW PUMP	PZ	1
24	3227955	'HOSE HOLDER M.1 / 4 "X12 BRASS'	PZ	1

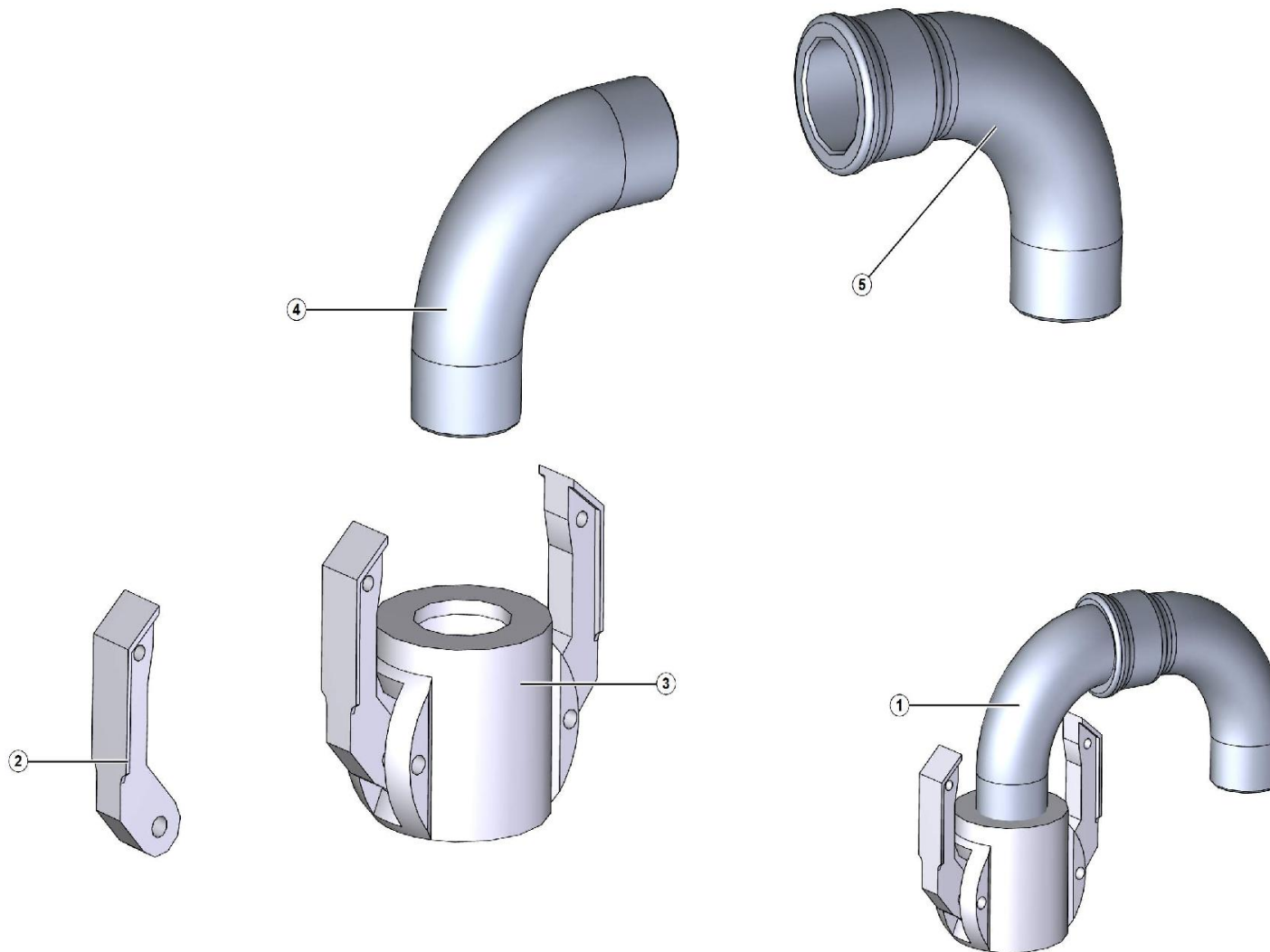
DUST FREE GRID





N.	CODE	DESCRIPTION	UM	QTY
1	3227517	SCREW TE 8.8 5739 M8X100 Z	PZ	2
2	3236085	BLOWER HOOD		1
3	2224140	ROLLER 6593	PZ	2
4	3231186	INSERT	PZ	2
5	3236240	TUBE		1
6	3206163	THREADED INSERT M6		2
7	2224531	WASHER	PZ	2
8	3292381	3292381 BOLT		2
9	3228143	GASKET	M	1
10	3236112	PAINTED KOINE4 MOTOR COVER SHEET METAL	PZ	1
11	1107491	DUST FREE GRID FOR KOINE 4/35		1

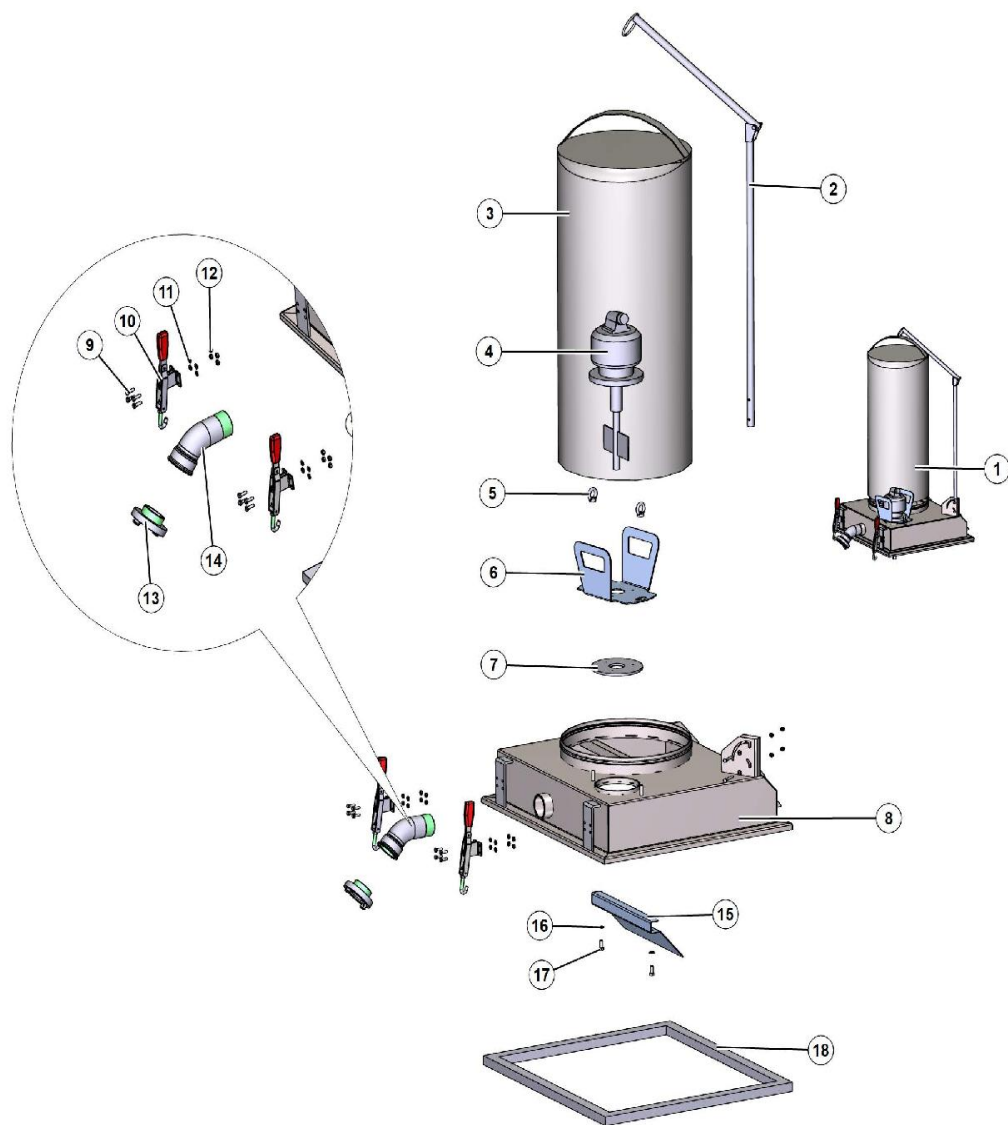
U-SHAPED STEEL PIPE DN25





N.	CODE	DESCRIPTION	UM	QTY
1	1107570	Nozzle IM 35		1
2	3224498	HANDLE/MORTAR PUMP	PZ	1
3	3224709	CAM COUPLING/SCREW PUMP	PZ	1
4	3226426	'WIDE RANGE CURVE 90° 1" M.M.'		1
5	3226424	'WIDE RANGE CURVE 90° 1" M.F.'		1

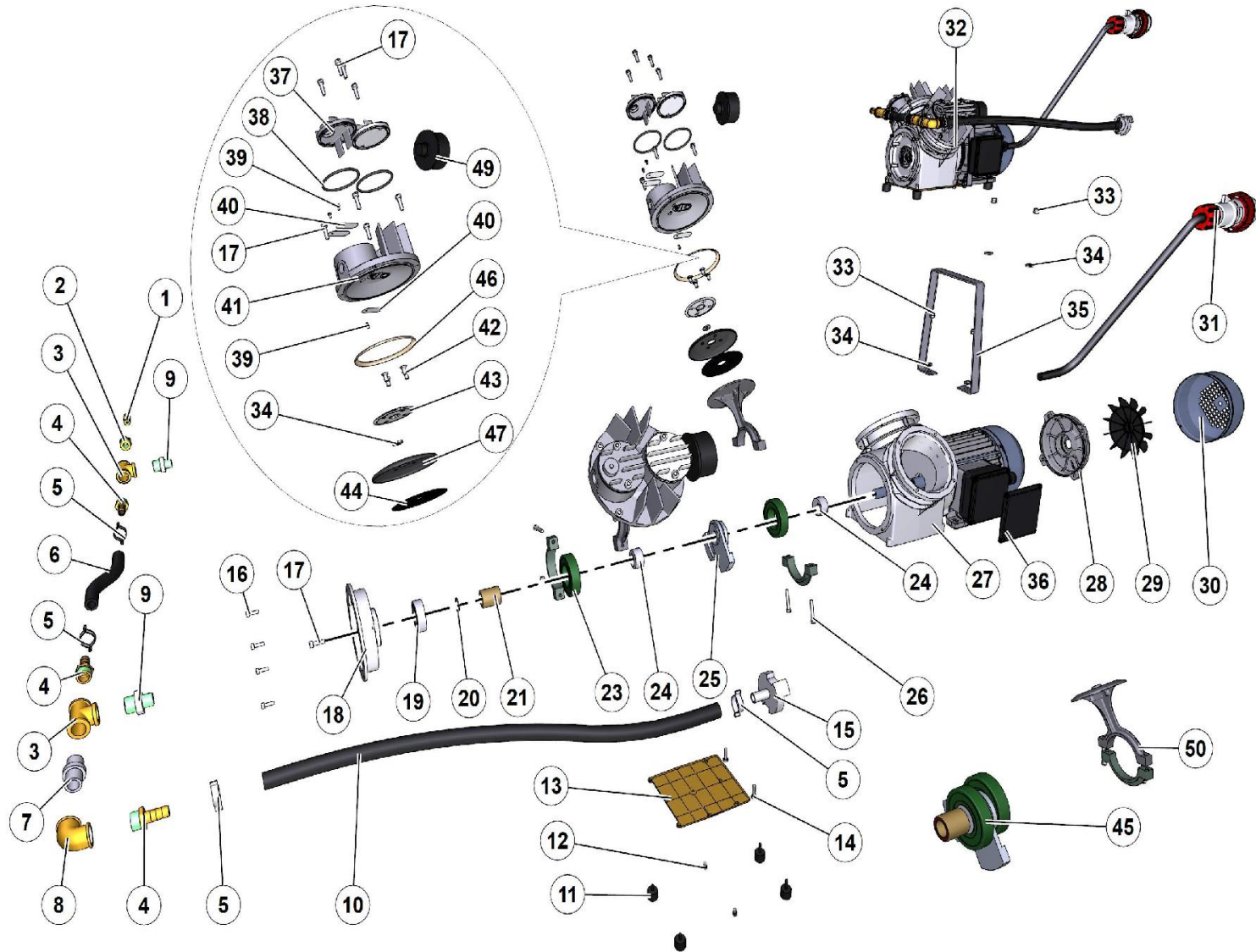
BLOWER HOOD FOR KOINE 4/35





N.	CODE	DESCRIPTION	UM	QTY
1	1107500			1
2	3228220	BAR		1
3	3226562	FILTER	PZ	1
4	3224555	PROBE PFG86 / 42TI	PZ	1
5	3207209	EYEBOLT	PZ	2
6	3228141	SUPPORT		1
7	3228144	GASKET		1
8	3228331	FRAME		1
9	2222016	SCREW	PZ	8
10	3228145	CLAMP	PZ	2
11	2224530	ROLLER/MN	PZ	8
12	2223280	NUT	PZ	8
13	3224387	COUPLING	PZ	1
14	3228148	'WIDE RANGE CURVE 45° 2"M.F.'		1
15	3228140	CONVEYOR		1
16	2224140	ROLLER 6593	PZ	2
17	2222060	SCREW	PZ	2
18	3228143	GASKET	M	1

AIR COMPRESSOR





N.	CODE	DESCRIPTION	UM	QTY
1	3224593	SECURITY VALVE/SCREW PUMP	PZ	1
2	3223609	REDUCER	PZ	1
3	3223617	CONNECTOR	PZ	2
4	3223613	HOSE CLAMP/SCREW PUMP	PZ	3
5	3227824	BAND RING		4
6	3224608	HOSE	M	1
7	3224362	NIPPLE	PZ	1
8	3224168	ELBOW FITTING 90°	PZ	1
9	3224928	REDUCED NIPPLE	PZ	2
10	3224608	HOSE	M	1
11	3227825	SCHOCK ABORBER	PZ	4
12	2222003	SCREW	PZ	2
13	3224537	COMPRESSOR PLATE	PZ	1
14	2222010	SCREW	PZ	2
15	3223615	RAPID CONNECTION/SCREW PUMP	PZ	1
16	3224872	SCREW TCEI 5931 5X 16 A2 INOX	PZ	4
17	3225074	SCREW	PZ	17
18	3224536	COVER	PZ	1
19	3224859	BEARING 6304 2RSH - CM	PZ	1
20	3227154	RING	PZ	1
21	3224332	SPACER	PZ	1

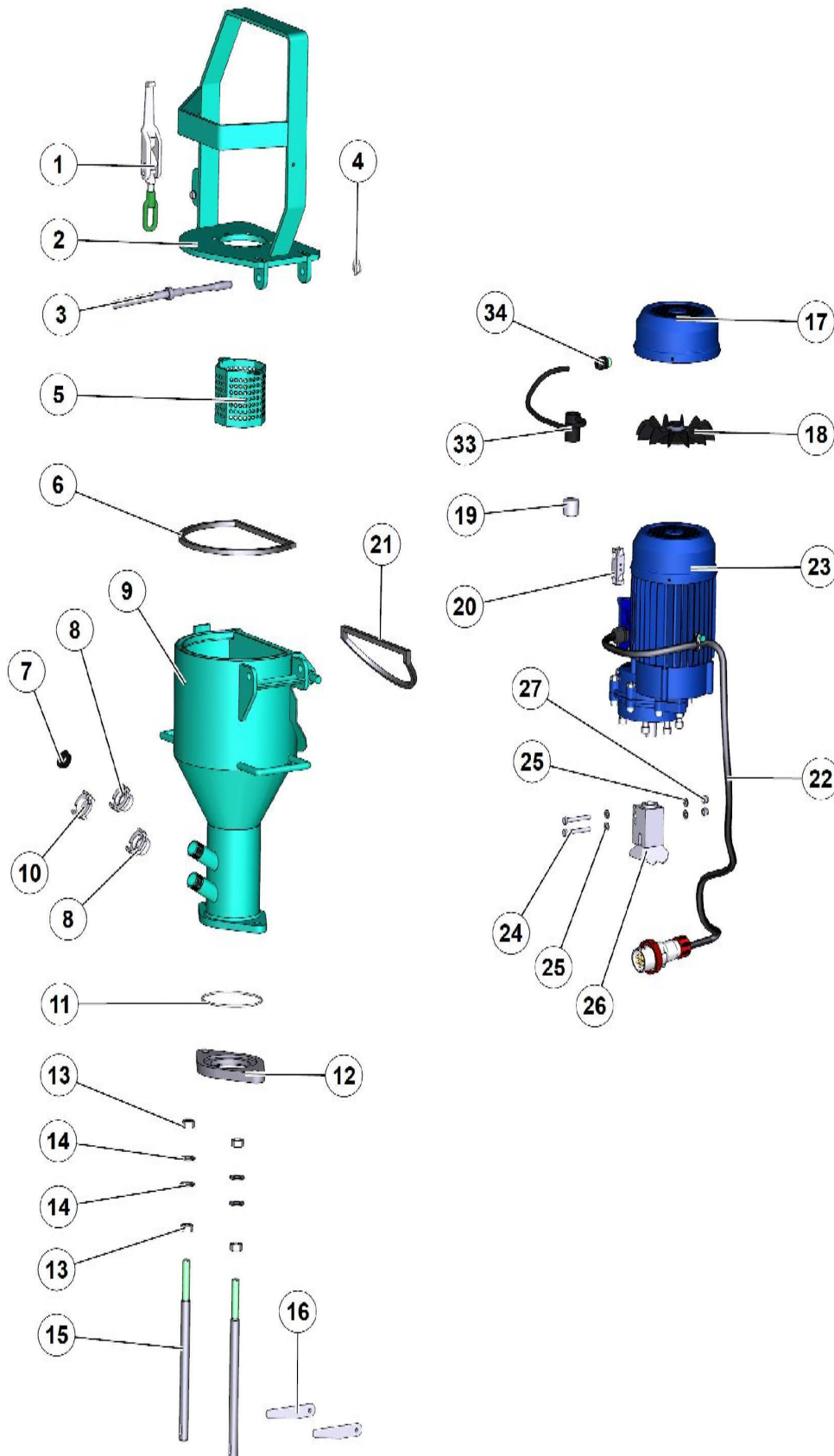


N.	CODE	DESCRIPTION	UM	QTY
23	3224860	BEARING 6207 2RS1 - CM	PZ	2
24	3226967	BUSH	PZ	2
25	3226966	ECCENTRIC BARBELL	PZ	1
26	2222546	SCREW	PZ	4
27	3224912	COMPRESSOR BOX + 380V ENGINE	PZ	1
28	3226531	SHIELD	PZ	1
29	2291453	FAN	PZ	1
30	3226533	FAN COVER/SCREW PUMP	PZ	1
31	3225174	SUPPLY CABLE		1
32	3224528	COMPRESSOR	PZ	1
33	2223924	NUT	PZ	4
34	2224531	WASHER	PZ	6
35	3224876	HANDLE		1
36	3226544	COVER		1
37	3224534	LH CAP	PZ	4
38	3228399	O-RING 165 D61.92X3.53	PZ	4
39	3224873	SCREW	PZ	6
40	3224548	COMPRESSOR'S PLATE	PZ	6
41	3224532	HEAD	PZ	2
42	3213537	SCREW TSPEI 5933 6X 12 Z		8
43	3237099	IMER 250 COMPRESSOR MEMBRANE STOP	PZ	2



N.	CODE	DESCRIPTION	UM	QTY
44	3228404	SHIM	PZ	2
45	3224300	CAM/SCREW PUMP	PZ	2
46	3235672	'GASKET D=127MM; TH=0.4MM'	PZ	2
47	3224539	COMPRESSOR MEMBRANE/SCREW PUMP	PZ	2
49	3224844	AIR-FILTER/SCREW PUMP	PZ	1
50	3231647	ASSEMBLY PISTON ROD COMPRESSOR IMER 250	PZ	2

MIXING CHAMBER



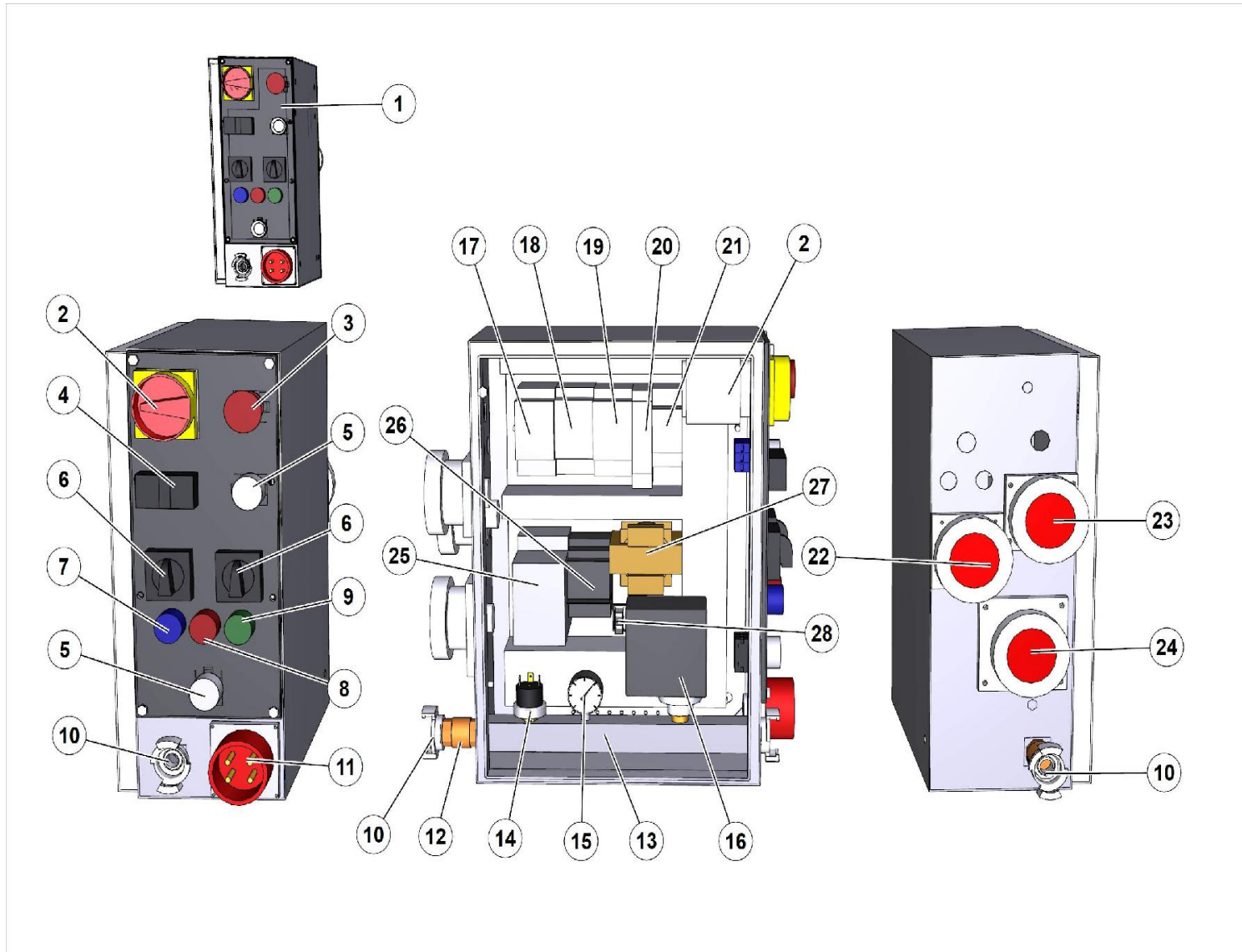


N.	CODE	DESCRIPTION	UM	QTY
1	3223717	CLOSING HANDLE	PZ	1
2	3228424	PLATE	PZ	1
3	3223374	CHAMBER PIN	PZ	1
4	3224628	SPLIT PIN	PZ	1
5	3228425	TERMINAL PROTECTION KOINE 4-5	PZ	1
6	3223995	SEAL	M	1
7	3223697	GASKET/MORTAR PUMP	PZ	1
8	3223428	QUICK CONNECTOR	PZ	2
9	3237554	VARNISHED KOINE 35/4 MIXING HOPPER	PZ	1
10	3223429	CAP	PZ	1
11	3239297	O-RING 208	PZ	1
12	3237557	PAINTED D SERIES STATOR FLANGE	PZ	1
13	2223806	NUT	PZ	4
14	2224640	WASHER	PZ	4
15	3223720	TIE-ROD	PZ	2
16	3224955	EXTRACTOR/SCREW PUMP	PZ	2
17	3226471	FAN COVER	PZ	1
18	3226472	MOTOR GEARBOX FAN MEC 100 SHEET 4F KOINE	PZ	1
19	3224243	BUSHING	PZ	1
20	3236115	SUPPORT		1
21	3223995	SEAL	M	1



N.	CODE	DESCRIPTION	UM	QTY
22	3228574	ENGINE POWER CABLE KOINE 4/5/35	PZ	1
23	3228422	GEARMOTOR	PZ	1
24	2222072	SCREW	PZ	2
25	2224140	ROLLER 6593	PZ	4
26	3223352	TERMINAL	PZ	1
27	2223923	LOCK NUT	PZ	2
33	3226120	SENSOR	PZ	1
34	3210113	CABLE CLAMP/SAW	PZ	1

ELECTRIC PANEL





N.	CODE	DESCRIPTION	UM	QTY
1	3223420	ELECTRICAL PANEL	PZ	1
2	3226836	INVERTER/SCREW PUMP	PZ	2
3	3225237	EMERGENCY PUSHBUTTON	PZ	1
4	3225240	START/STOP BUTTON+LIGHT D.22	PZ	1
5	3225238	GREEN BUTTON D.22 COMPLETE	PZ	2
6	3225250	SWITCH	PZ	2
7	3225241	COMPLETE BLUE LED+LAMP 24V	PZ	1
8	3225242	COMPLETE RED LED+LAMP 24V	PZ	1
9	3225243	COMPLETE GREEN LET + LAMP 24V	PZ	1
10	3224203	RAPID FIXATION/SCREW PUMP	PZ	3
11	3225244	PLUG	PZ	1
12	3224360	VALVE/SCREW PUMP	PZ	1
13	3225429	AIR HOSE	PZ	1
14	3223630	WATER PRESSURE SWITCH	PZ	1
15	3225231	PRESSURE GAUGE	PZ	1
16	3225234	PRESSURE SWITCH	PZ	1
17	3225223	THERMAL SWITCH	PZ	1
18	3225224	CONTACTOR 2,5-4A + CONT.1NO+1NC	PZ	1
19	3225225	THERMAL SWITCH 1.6-2.5 + CONT.1NO + 1NC	PZ	1
20	3225226	RELAY	PZ	1
21	3225233	FUSE HOLDER	PZ	1



N.	CODE	DESCRIPTION	UM	QTY
22	3225245	SOCKET	PZ	1
23	3225246	SOCKET	PZ	1
24	3225235	SOCKET	PZ	1
25	3225227	CONTACTOR	PZ	1
26	3225274	RELAY HOLDER	PZ	1
27	3225236	TRANSF. MF TROPIC 100VA230-400-24/28V	PZ	1
28	3225232	DIODE BRIDGE (FASTON-SB15)12A 200V	PZ	1



Access Platform Division

Via San Francesco d'Assisi, 8 - 46020 Pegognaga (Mantova) - ITALY Tel. +39 0376
554011 - Fax +39 0376 559855

www.imergroup.com

Building Equipment Division

Via della Meccanica, 39 (Zona Industriale Sentino) - 53040 Rapolano Terme
(Siena) - ITALY - Tel. +39 0577 97341 - Fax +39 0577 704077

www.imergroup.com