

FIG. 1

FIG. 2

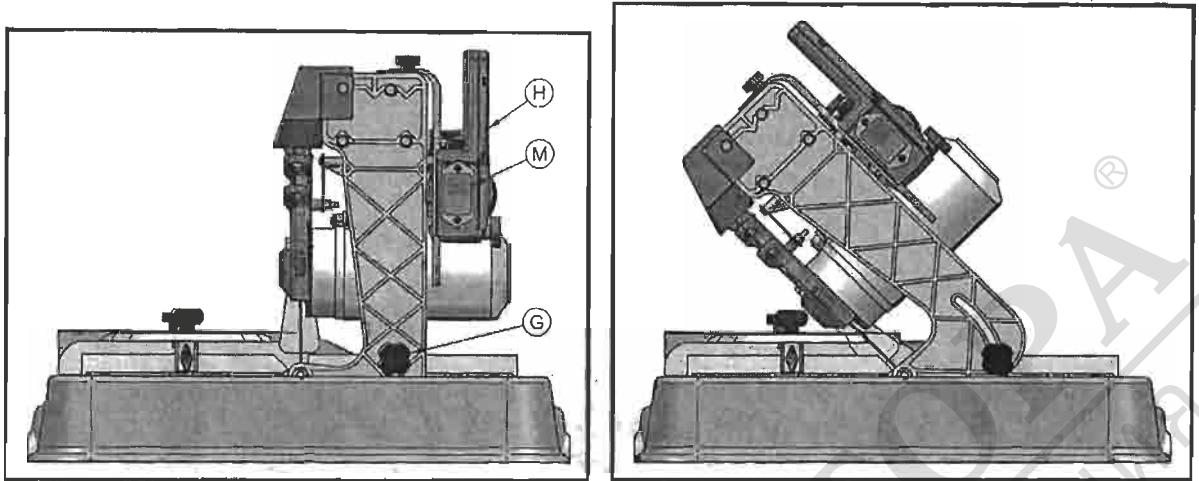


FIG. 3

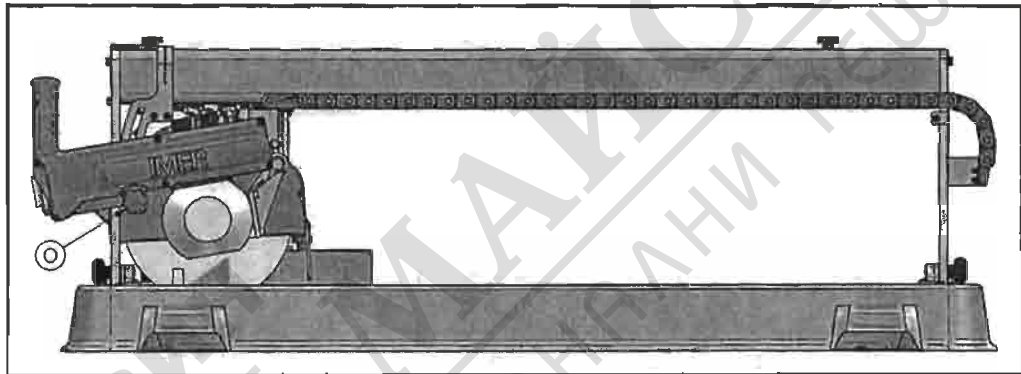
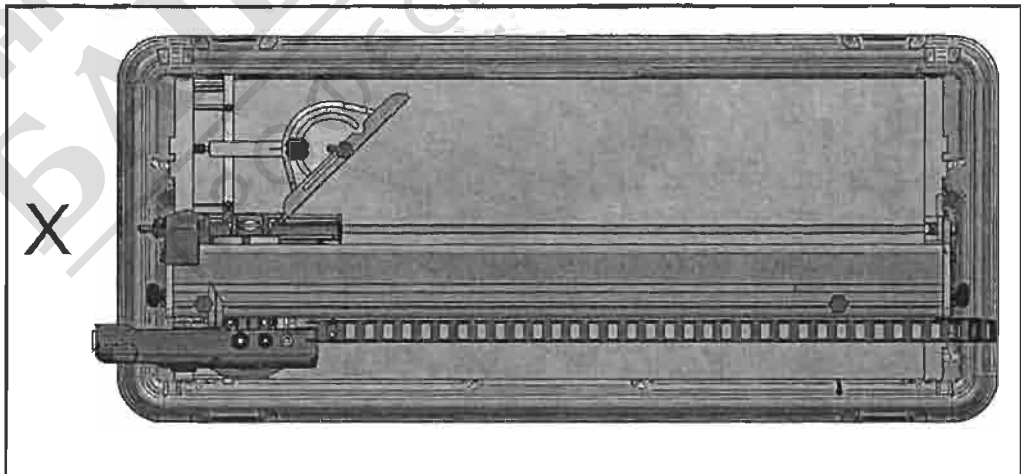
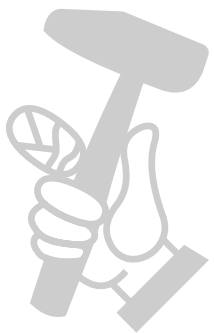
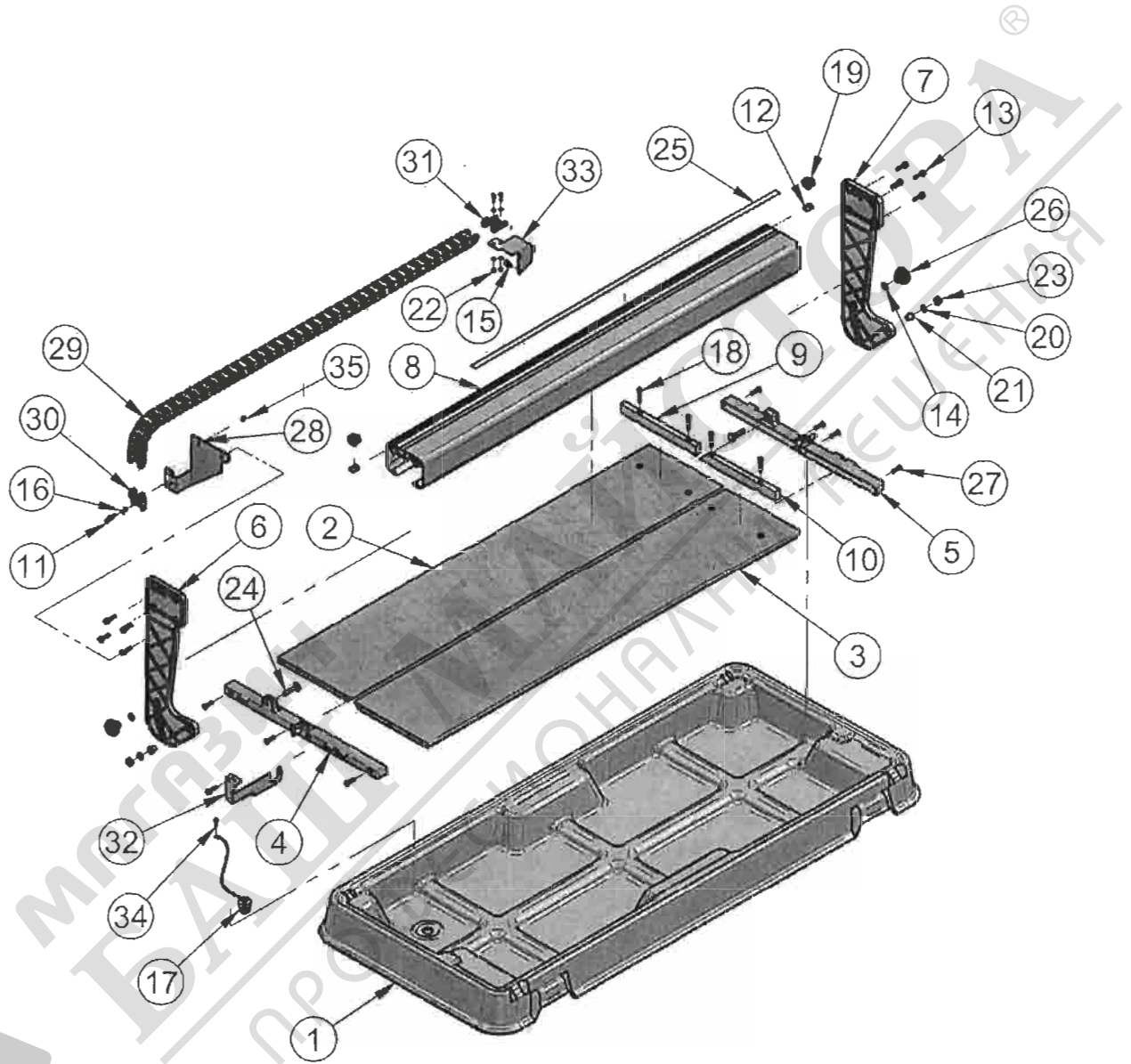
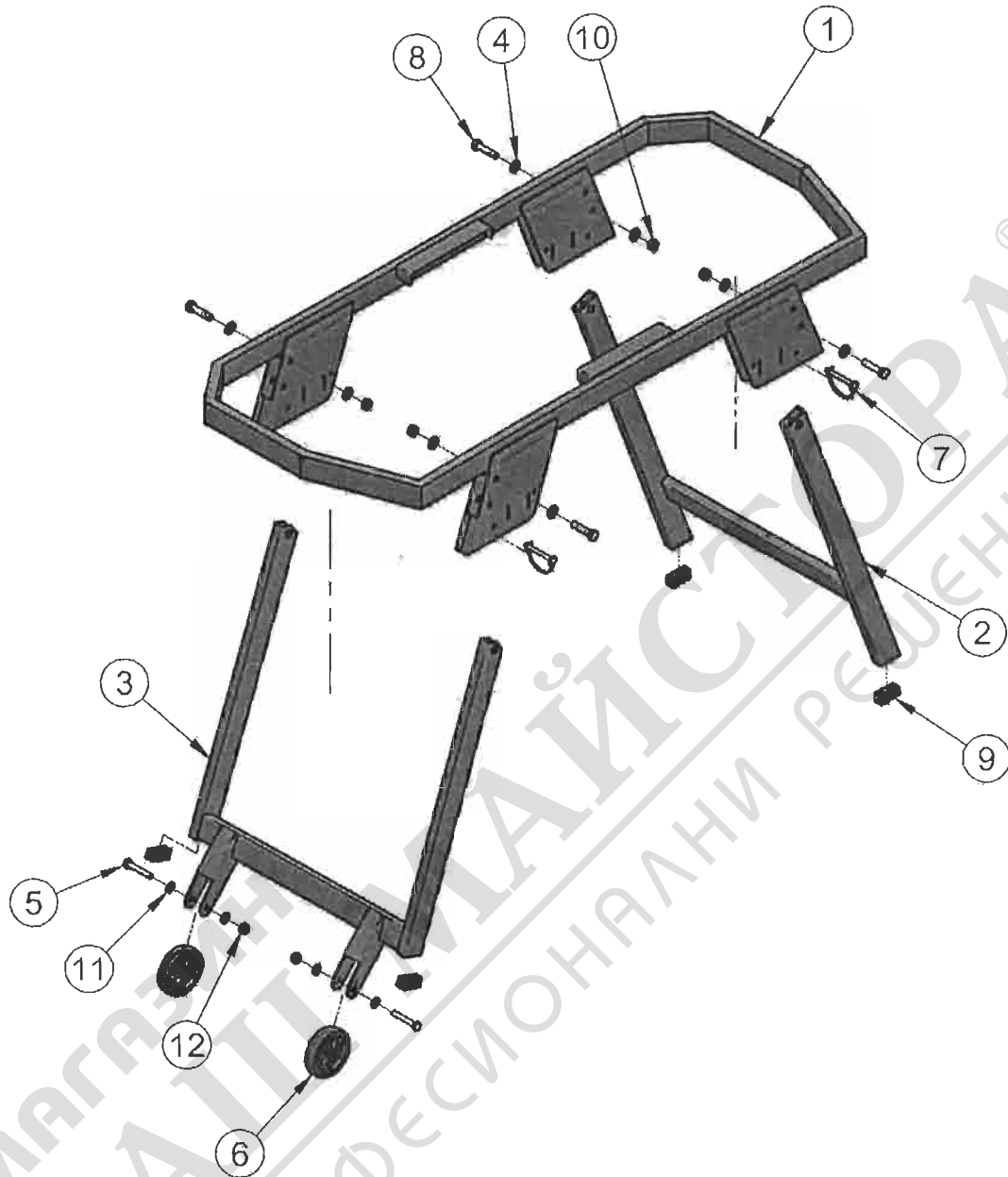


FIG. 4

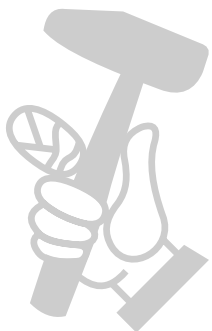


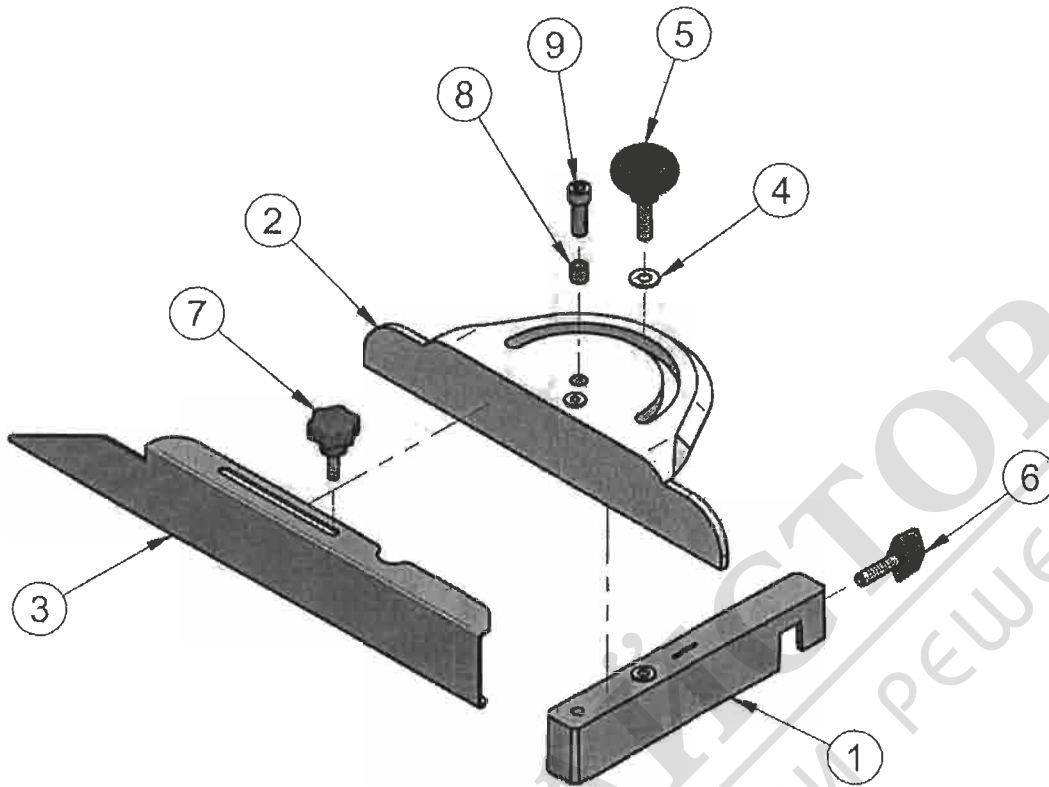


TAV. 1 - MACHINE STRUCTURE			
REF.	CODE	DESCRIPTION	NOTES
1	3226951	TANK	
2	3226942	R.H. SURFACE	
3	3226943	L.H. SURFACE	
4	3226070	REAR SIDE	
5	3226069	FRONT SIDE	
6	3226359	REAR ARM	
7	3226357	FRONT ARM	
8	3227459	SLIDEWAY	
9	3226073	RIGHT FENCE	
10	3226074	LEFT FENCE	
11	3209797	BOLT	TE 5739 M5X16
12	3210071	T-NUT	
13	3210099	BOLT	TEFR 6X25
14	3210576	WASHER	D.8,4X17X1,5
15	3225750	BOLT	TEFR 6X10
16	2224529	WASHER	D.5X10
17	2235429	CAP	
18	2222545	BOLT	TCEI 5931 M6X30
19	3204865	KNOB	M6
20	3226087	WASHER	D.10,5X17X1,5
21	3226088	BUSHING	
22	2223927	NUT	7474 M5
23	2223920	NUT	7474 M10
24	3226747	BOLT	TTDE 5732 8X40
25	3226795	MILLIMETRED STRIP	
26	2284866	KNOB	M8
27	2222584	BOLT	TSPEI 5933 M6X25
28	3226944	BRACKET	
29	3226946	CABLE HOLDER CHAIN	
30	3226947	MALE TERMINAL	
31	3226948	FEMALE TERMINAL	
32	3226949	BRACKET	
33	3226950	BRACKET	
34	2222449	BOLT	TC 6954 3.5X19
35	3227488	CABLE DUCT	D.4

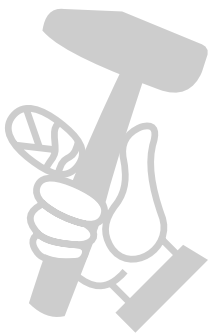


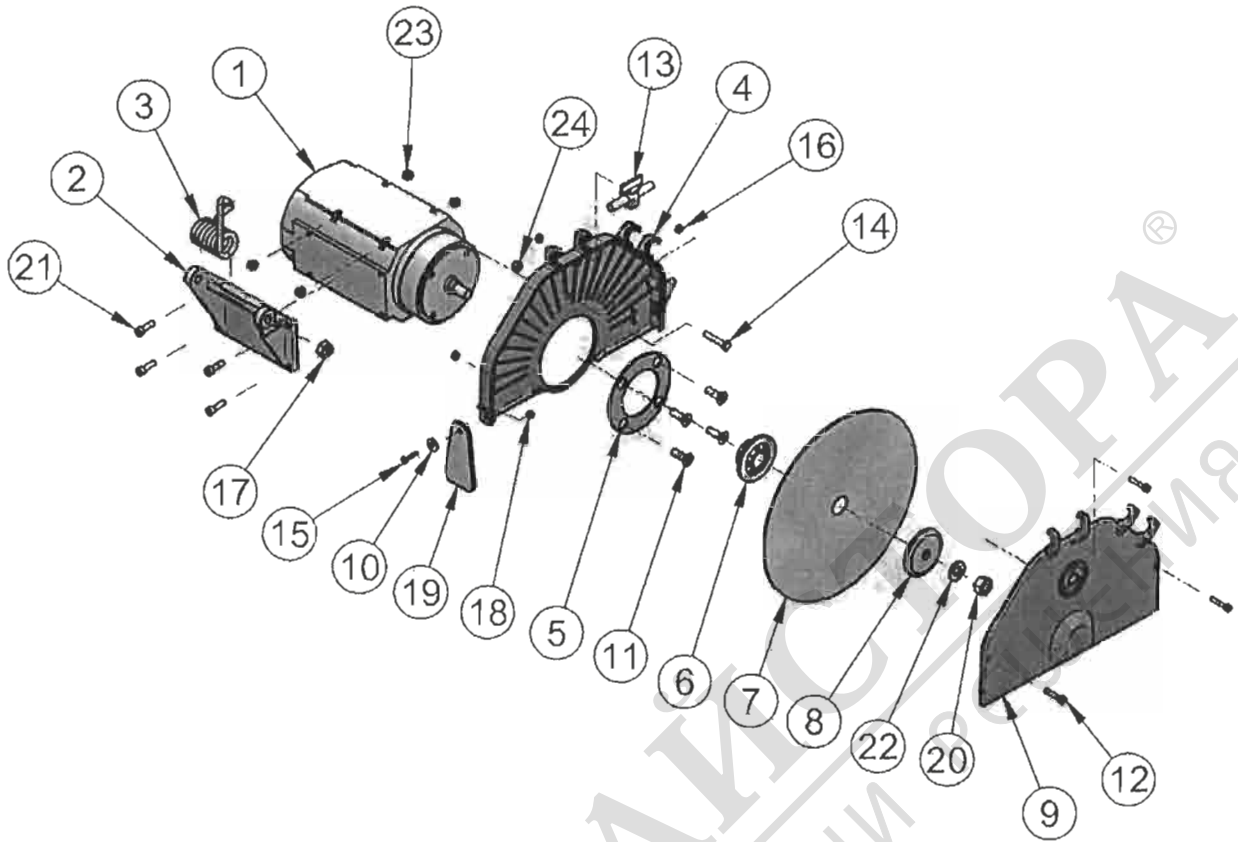
TAV. 2 - COMPLETE FRAME			
REF.	CODE	DESCRIPTION	NOTES
1	3227025	FRAME	
2	3226982	FRONT LEGS	
3	3226903	REAR LEGS	
4	2224380	WASHER	6592 D.12X25
5	3204604	BOLT	TE 5739 M10X60
6	3205257	WHEEL	
7	3223143	PIN	8X70 Z
8	3225731	BOLT	TE 5739 M12X50
9	3226976	CAP	
10	2223921	NUT	7474 M12
11	2224340	WASHER	6592 D.10X21
12	2223920	NUT	7474 M10



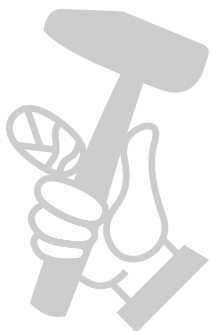


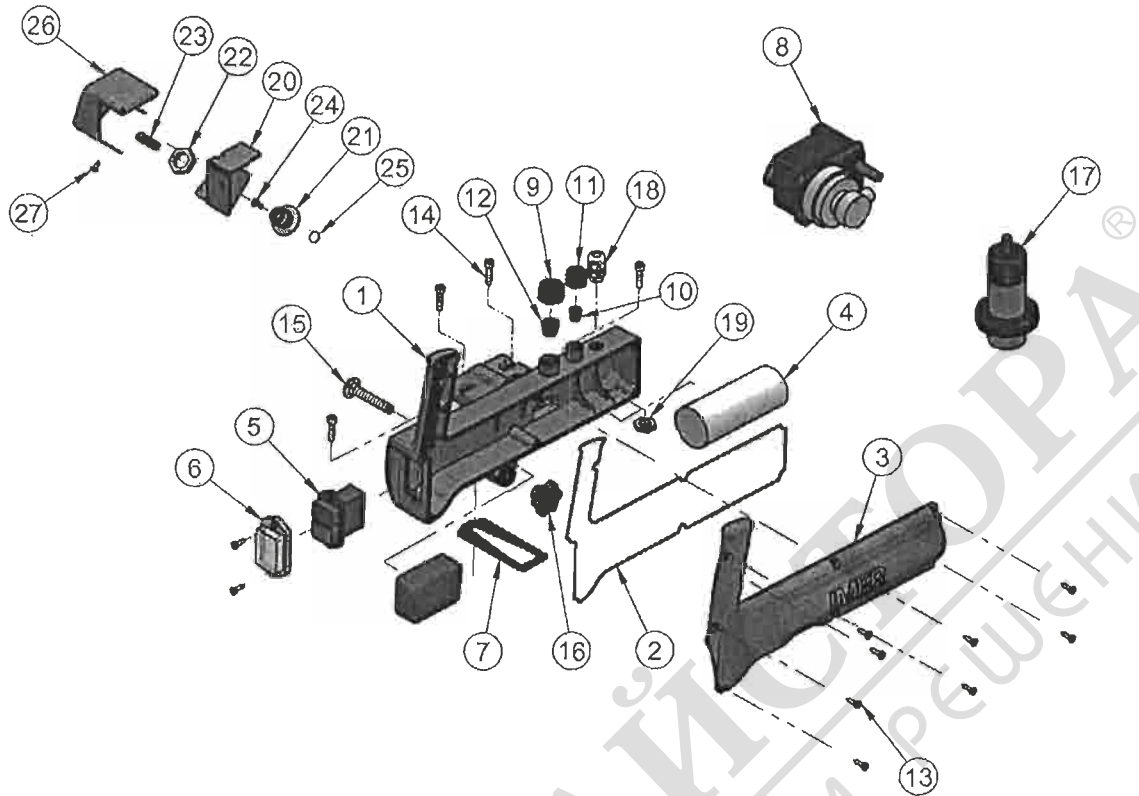
3226358		TAV. 3 - COMPLETE GONIOMETER	
REF.	CODE	DESCRIPTION	NOTES
1	3226076	GONIOMETER SUPPORT	
2	3226078	GONIOMETER	
3	3226360	SLIDING ROD	
4	2224140	WASHER	6593 D.8X18
5	3207939	HANDWHEEL	M8X30
6	3211381	HANDWHEEL	M8X30
7	3223279	HANDWHEEL	M6X20
8	.	SPACER	
9	2222511	BOLT	TCEI 5931 M8X25



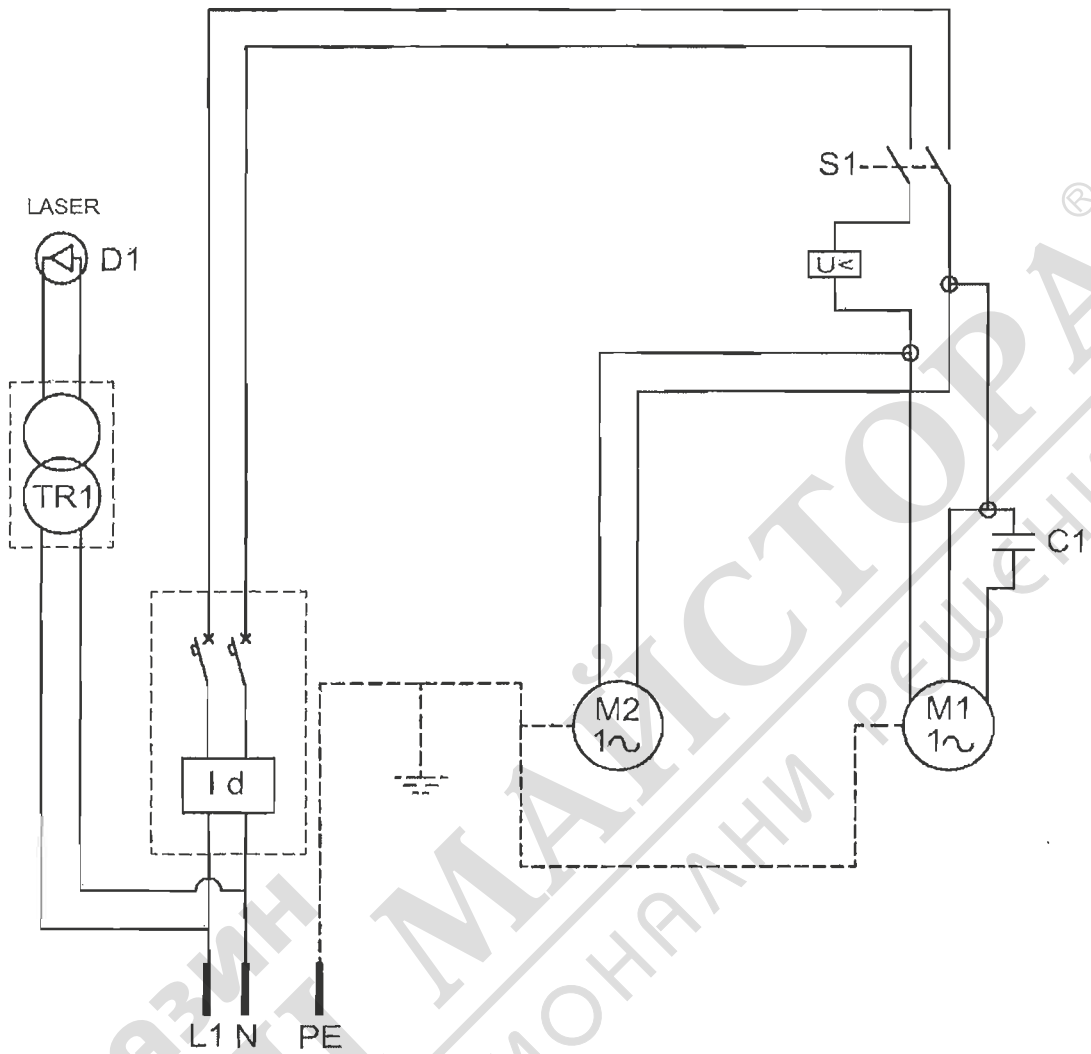


TAV. 4 - BLADE PROTECTION MOTOR ASSEMBLY			
REF.	CODE	DESCRIPTION	NOTES
1	3211936 3211938	MOTOR	230V 110V
2	3210038	ENGINE SUPPORT	
3	3210087	SPRING	
4	3211935	BLADE GUARD	
5	3210043	SPACER BRACKET	
6	3210044	INNER FLANGE	
7	1193852	BLADE	
8	3210046	OUTER FLANGE	
9	3211933	BLADE GUARD	
10	2224535	WASHER	
11	3201339	BOLT	TSPEI 5933 8X25
12	3204399	BOLT	TCEI 5931 M5X25
13	3207884	COCK	
14	3209060	BOLT	TE 8.8 5737 6X35
15	2222001	BOLT	TE 8.8 5737 4X20
16	2223352	NUT	5588 D.5
17	2223920	NUT	7474 M10
18	2223926	NUT	7473 M4
19	3210050	SPRAY SHIELD	
20	3210053	NUT	5588 M12 Z SX
21	2222540	BOLT	TCEI 5931 6X20
22	2224380	WASHER	6592 D.12X25
23	2223280	NUT	5588 M6
24	2223924	NUT	7473 M6

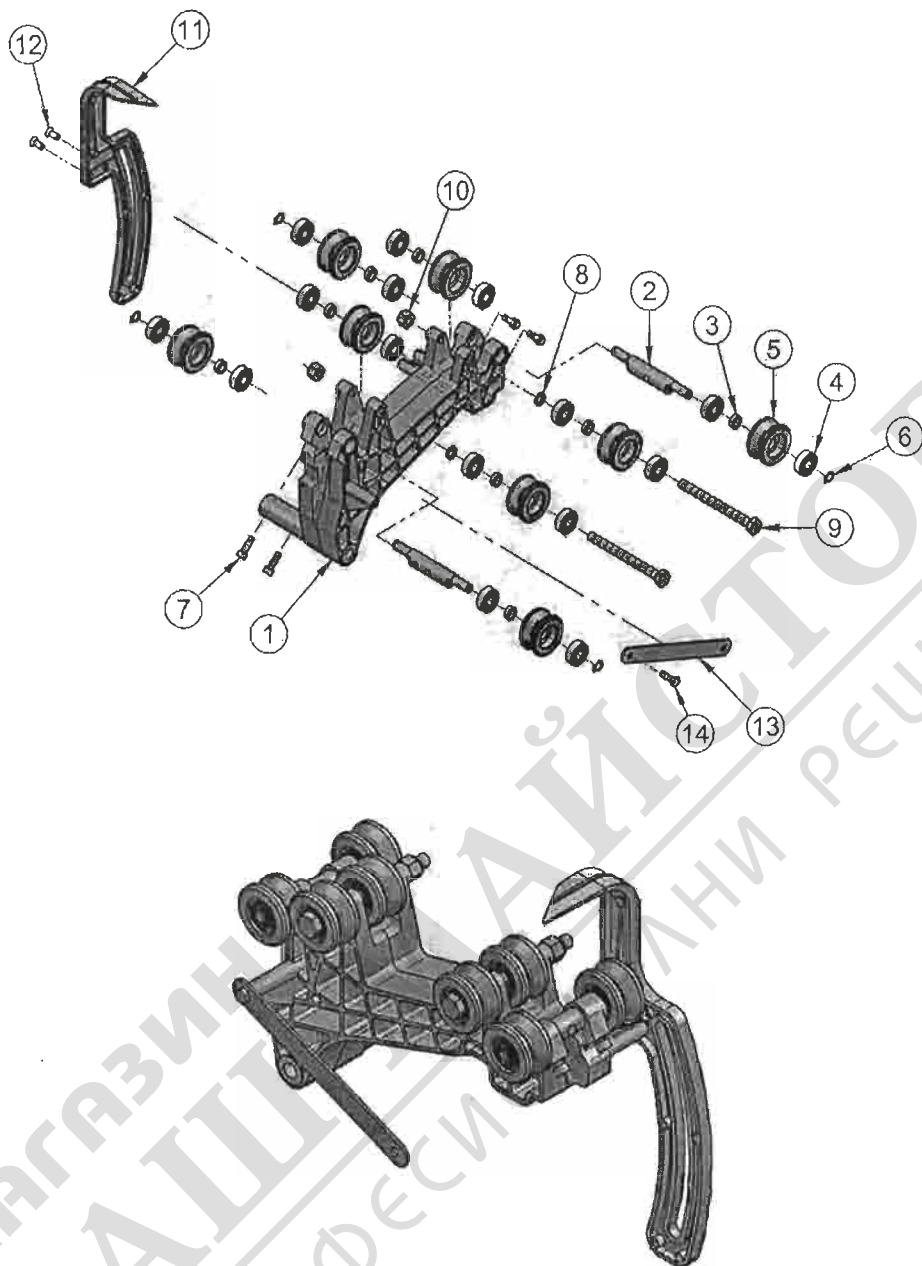




TAV. 5 - ELECTRIC PANEL			
REF.	CODE	DESCRIPTION	NOTES
1	3227466	JUNCTION BOX	
2	3210114	GASKET	
3	3210085	COVER	
4	3210239 3210129	CAPACITOR	110V 230V
5	3210872 3209337	SWITCH	110V 230V
6	3209340	LEAKAGE PROTECTION	
7	3225596	GASKET	
8	3227217 3227212	WATER PUMP	110V 230V
9	3226095	CABLE GLAND LOCKING RING	PG 16
10	3226101	CABLE GLAND GROMMET	PG 16
11	3226098	CABLE GLAND LOCKING RING	PG 11
12	3226100	CABLE GLAND GROMMET	PG 11
13	3210116	BOLT	TCTC 4,2X16
14	2222541	BOLT	TCEI 5931 6X25
15	3210096	BOLT	TTCQ 5732-65 M8X60
16	3211381	HANDWHEEL	M8X30
17	3210608 3210609	PLUG + ELECTRIC CABLE	110V 230V
18	3227508	CABLE CLAMP	PG 9
19	3227487	CABLE GLAND NUT	PG 9
20	3227481	SUPPORT	
21	3227483	ADJUSTMENT BLOCK	
22	3227489	CABLE GLAND NUT	M20x1,5
23	3227491	LASER + POWER SUPPLY	
24	3207155	BOLT	TC PH 7687 M4X10
25	3227490	LASER GUARD	
26	3227482	COVER	
27	2222424	BOLT	TC PH 6954 4,2X9,5



WIRING DIAGRAM		
REF.	DESCRIPTION	NOTES
S1	CONTROL SWITCH	
C1	CAPACITOR	
PE	EARTHING CABLE	
N	NEUTRAL LINE CABLE	
L1	PHASE LINE CONDUCTOR	
M1	BLADE MOTOR	
M2	PUMP MOTOR	
ID	CURRENT CIRCUIT BREAKER	KIT 230V COD.1169245 KIT 110V COD.1169249
TR1	POWER SUPPLY	
D1	LASER EMITTER	



TAV. 6 - CARRIAGE			
REF.	CODE	DESCRIPTION	NOTES
1	3210031	CARRIAGE	
2	3210032	CAM	
3	3207393	SPACER BRACKET	
4	3204945	BEARING	608 2RS1
5	3207397	WHEEL ASSEMBLY	
6	3210627	RING	
7	3210036	BOLT	TCEI.5931 M5X16
8	3210622	SPACER BRACKET	
9	2222114	BOLT	TE 5737 M8X90
10	2223923	NUT	7473 M8
11	3210028	CARRIAGE BLOCK	
12	3210105	BOLT	TSP PH M5X12
13	3210029	BLADE GUARD	
14	2222000	BOLT	TE 5739 M5X16

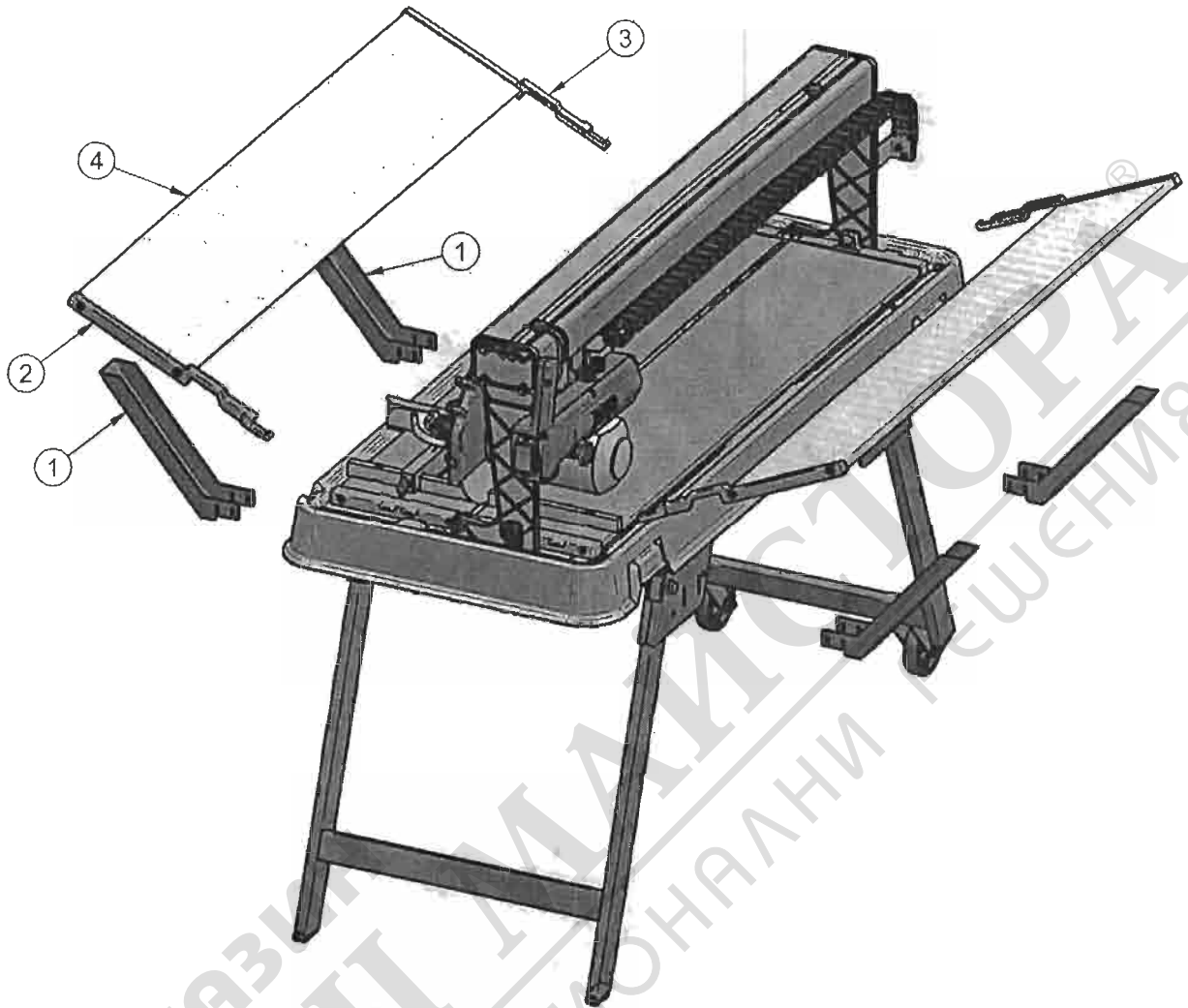


FIG. 6

COD.1188176		TAV. 7 - SIDE ROLLER	
REF.	CODE	DESCRIPTION	NOTES
1	3226953	SUPPORT	
2	3226146	SUPPORT	
3	3226145	SUPPORT	
4	3226952	SIDE ROLLER	