



SPARE PARTS

SYMBOL

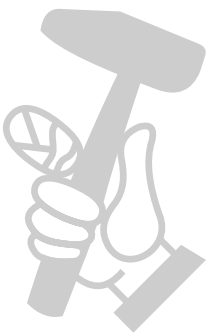
Interchangeability (example):

Ref.	P.n.	Description	Notes
1	3204530	Reduction gear	5240
1.1	3204520	Reduction gear	5241

Ref.1 P.n. 3204530 was installed on machincs up to N° 5240 and Pos.1.1 P.n. 3204520 installed on machine N° 5241 onwards.

Pos. 1.1 is interchangeable () with Ref. 1.

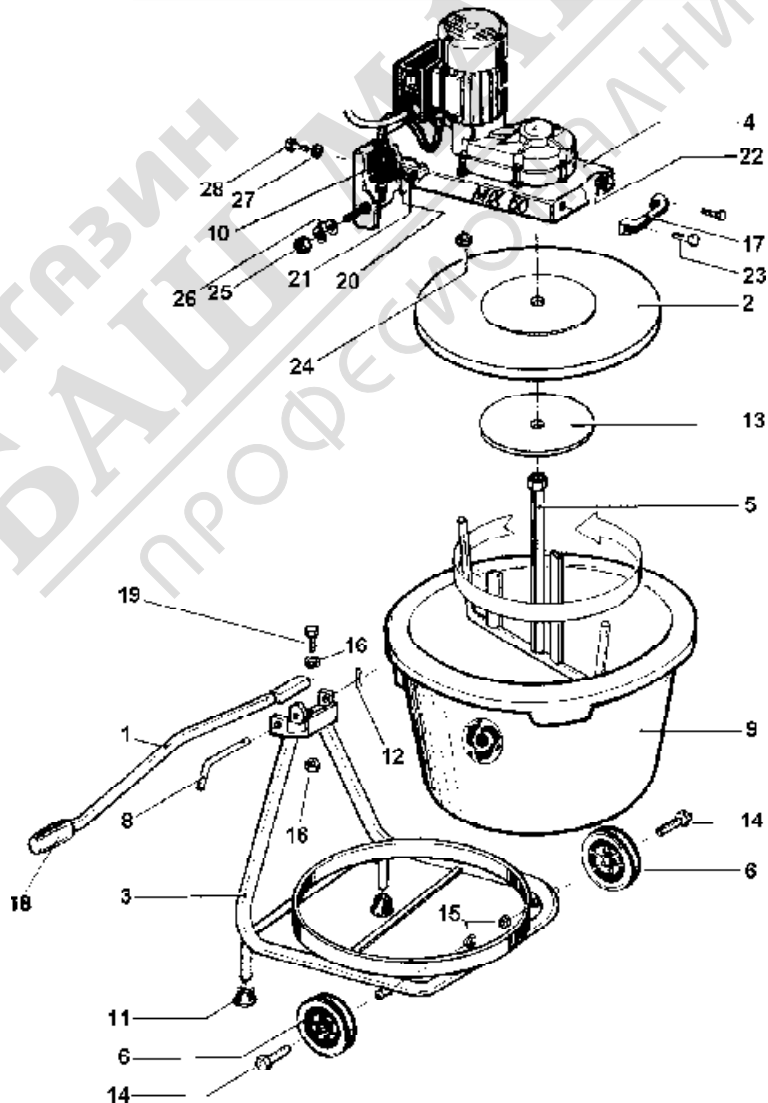
Ref. 1 and Ref. 1.1 are not interchangeable if the () symbol appears in the table.



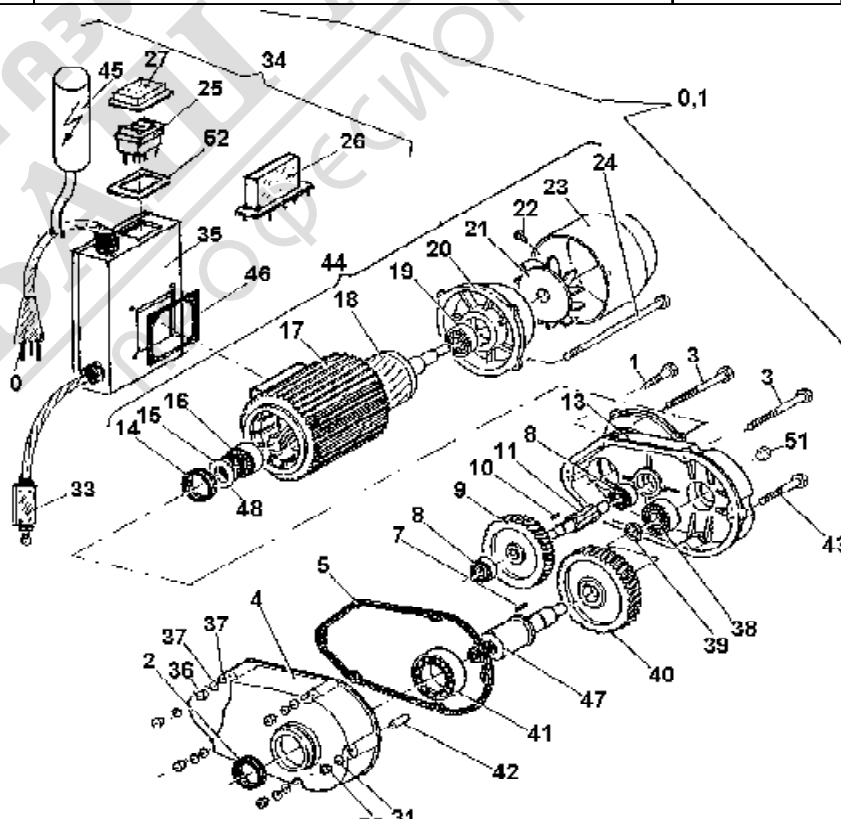
МАГАЗИН МАЙСТОРА
БАШ МАЙСТОРА
ПРОФЕСИОНАЛНИ РЕШЕНИЯ



AG031		DRAWING. 1 MORTAR MIXER MIX60	
Ref.	P.n.	Description	Notes
1	3205592	HANDLE	
2	3205607	COVER	
3	3206584	FRAME	
4	3206585	SUPPORT	
5	3205587	COMPLETE PADDLE	
6	3205257	WHEEL	
8	3205623	PIN	
9	3210432	TANK	
10	3200005	WHEEL LIMIT SWITCH	
11	3205926	PLUG	
12	2226703	SPLIT PIN	
13	3205611	STEEL DISK	
14	2222154	BOLT	5737 M10X120
15	2223920	SELF LOCKING NUT	7474 M10
16	2223705	NUT	5589 M12
17	3204888	HANDLE	
18	3206079	HANDLE	
19	2222083	BOLT	5739 M12X70Z
20	2224950	WASHER	DEV.C72 Ø4
21	2223500	NUT	5588 M4
22	2223280	NUT	5588 M6
23	2222540	BOLT	5931 M6X20
24	2223924	NUT	AUTOBL. M 6
25	2223570	NUT	5588 M8
26	2224140	WASHER	Ø 8X18
27	2224535	WASHER	6592 Ø4X16
28	3204186	SCREW	6107 M4X40



1193981		DRAWING 2 GEARBOX 115V/60Hz	
Ref.	P.n.	Description	Notes
0.1	3210434	MOTOR AND REDUCTION GEAR ASSEMBLY	115V - 50Hz
1	2222010	BOLT	5739 M6X25
2	3213001	OIL SEAL	56X40X8
3	3203954	BOLT	5737 M6X55
4	3213004	FLANGE CASING	
5	2216332	FLANGE GASKET	
7	2229500	KEY	
8	2204420	BEARING	6201
9	2202493	GEAR WHEEL	Z.79
10	2229249	KEY	5X5X12
11	3203797	PINION	Z.19
13	3213003	CASING	
14	2207300	OIL SEAL RING	42X20X7
15	*	SNAP RING	
16	*	BEARING	6004 2Z
17	*	STATOR	
18	*	ROTOR	
19	*	BEARING	6202-2Z
20	*	MOTOR+MOTOR CASING	
21	2291471	FAN	
22	*	SCREW	6954 3.5X6.4
23	3209218	FAN COVER	
24	*	SCREW	SPEC.M5X135
25	3203806	SWITCH	
26	3203809	RELAY	
27	3203807	PROTECTION COVER	
30	2277802	PLUG	
33	3200005	WHEEL LIMIT SWITCH	
34	3210447	ELECTRIC PANEL	
35	3203804	ELECTRICAL BOX	
36	2223260	NUT	5587 M6
37	2224530	WASHER	6592Ø6X12.5
38	2204550	BEARING	6205
39	2227240	STOP RING	7435 E/30
40	3203796	GEAR WHEEL	Z.58
41	2204504	BEARING	6008
42	2228818	PIN	Ø6X10
43	2222013	SCREW	5737 M6X40
44	3210205	MOTOR	115V-60HZ
45	3209336	CONDENSER	MF.50 V450
46	3203540	GASKET	
47	3203795	MAIN SHAFT	
48	3203067	STOP RING	C.72 Ø42X30X0.3
51	2235461	OIL PLUG	
52	3209179	GASKET	



* -(Not deliverable separately)