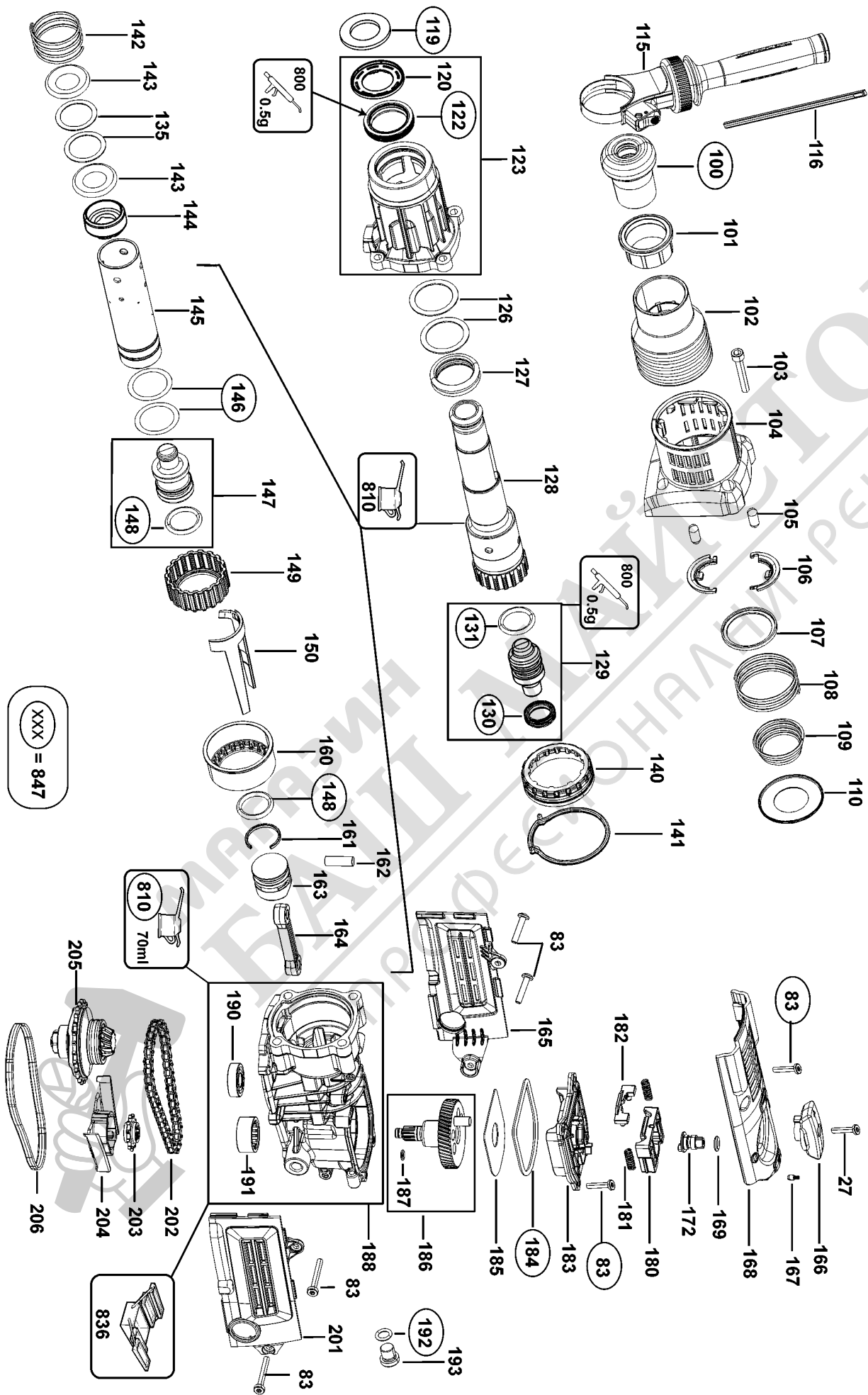


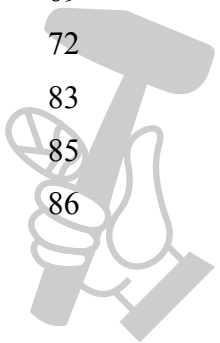
МАЙСОН ПРОФЕСИОНАЛНИ РЕШЕНИЯ®



ТОРА®
 БИНАМЕТЕНА

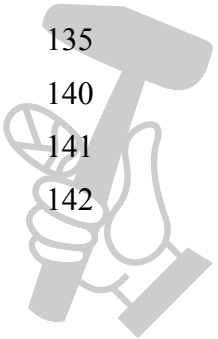
Parts List for D25501K-AR Type 1

| Item Number | Part Number | Description | Qty Required |
|-------------|-------------|----------------|--------------|
| 1 | N046420 | ARMATURE | 1 |
| 2 | N041827 | FIELD | 1 |
| 3 | N047284 | HOUSING ASSY. | 1 |
| 4 | 330003-39 | BEARING,BALL | 1 |
| 5 | 327141-03 | SEAL | 1 |
| 9 | 330065-21 | SCREW | 2 |
| 11 | 1007970-00 | CONNECTOR | 2 |
| 20 | 330003-60 | BEARING | 1 |
| 21 | 1007732-00 | SLEEVE | 1 |
| 22 | 1007798-00 | BRIDGE | 1 |
| 24 | N047426 | BRUSH SET | 1 |
| 25 | N047446 | BRUSH & HOLDER | 2 |
| 26 | N016922 | FAN | 1 |
| 27 | 330065-08 | SCREW | 25 |
| 28 | 1006592-00 | FAN | 1 |
| 29 | 324119-02 | SCREW | 1 |
| 40 | N021935 | END CAP | 1 |
| 41 | 1006576-02 | MOTOR COVER | 1 |
| 45 | 1008798-00 | HOUSING HANDLE | 1 |
| 46 | 587114-01 | TRIGGER | 1 |
| 47 | 587274-00 | SWITCH | 1 |
| 48 | 1008682-00 | HANDLE COVER | 1 |
| 69 | N047305 | LEAD SET | 1 |
| 72 | 573379-20 | CORDSET | 1 |
| 83 | 324007-11 | SCREW | 19 |
| 85 | 821070 | CORD CLAMP | 1 |
| 86 | 323091-01 | PROTECTOR,CORD | 1 |



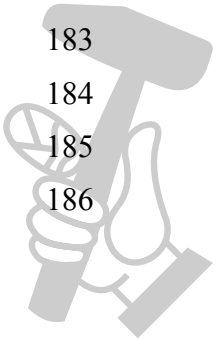
Parts List for D25501K-AR Type 1

| Item Number | Part Number | Description | Qty Required |
|-------------|-------------|-----------------|--------------|
| 100 | 329816-00 | LIP SEAL | 1 |
| 101 | 326575-01 | COLLAR | 1 |
| 102 | 479247-00 | SLEEVE ASSY | 1 |
| 103 | 918825-02 | SCREW | 4 |
| 104 | 1006572-00 | COVER | 1 |
| 105 | 325878-00 | ROLLER | 2 |
| 106 | 325929-00 | WASHER,HALF | 2 |
| 107 | 327208-00 | GUIDE | 1 |
| 108 | 323395-06 | SPRING | 1 |
| 109 | 487118-00 | SPRING | 1 |
| 110 | 325930-00 | GUIDE,SPRING | 1 |
| 115 | N073105 | HANDLE ASSEMBLY | 1 |
| 116 | N040996 | DEPTH ROD | 1 |
| 119 | N038151 | FELT WASHER | 1 |
| 120 | N045793 | BUSHING | 1 |
| 122 | 1007828-00 | SEAL | 1 |
| 123 | N041835 | HOUSING | 1 |
| 126 | 1005982-00 | WASHER | 2 |
| 127 | 496191-00 | DAMPER | 1 |
| 128 | N041834 | SPINDLE | 1 |
| 129 | N041847 | BEAT PIECE | 1 |
| 130 | 577484-00 | SEAL | 1 |
| 131 | 323711-10 | RING,O | 1 |
| 135 | N064329 | WASHER | 2 |
| 140 | 494857-00 | BUSHING | 1 |
| 141 | 1006283-00 | GASKET | 1 |
| 142 | 1005748-00 | SPRING | 2 |



Parts List for D25501K-AR Type 1

| Item Number | Part Number | Description | Qty Required |
|-------------|-------------|----------------|--------------|
| 143 | 577744-01 | O RING | 2 |
| 143 | 577744-01 | O RING | 2 |
| 144 | 1006778-00 | BUSHING | 1 |
| 145 | N041846 | CYLINDER | 1 |
| 146 | 577744-00 | O RING | 2 |
| 147 | N041845 | RAM | 1 |
| 148 | 576232-01 | O RING | 2 |
| 149 | N041844 | SLEEVE | 1 |
| 150 | 1005749-00 | FORK,SELECTOR | 1 |
| 160 | N041842 | BEVEL GEAR | 1 |
| 161 | 325905-00 | RETAINER | 1 |
| 162 | 330041-22 | PIN | 1 |
| 163 | N041843 | PISTON | 1 |
| 164 | 494724-00 | CONNECTING ROD | 1 |
| 165 | 1008393-00 | RIGHT COVER | 1 |
| 166 | 1006786-00 | SELECTOR | 1 |
| 167 | 326467-00 | DETENT | 1 |
| 168 | 1006575-00 | TOP COVER | 1 |
| 169 | 323711-57 | O-RING | 1 |
| 172 | 496856-00 | ECCENTRIC | 1 |
| 180 | 1006784-00 | SLIDER | 1 |
| 181 | 323395-32 | SPRING | 2 |
| 182 | 1006783-00 | CONNECT | 1 |
| 183 | 496857-00 | COVER | 1 |
| 184 | 323711-59 | O-RING | 1 |
| 185 | 1006785-00 | PLATE | 1 |
| 186 | N041841 | CRANKSHAFT | 1 |



Parts List for D25501K-AR Type 1

| Item Number | Part Number | Description | Qty Required |
|-------------|-------------|------------------|--------------|
| 187 | 323711-26 | RING,O | 1 |
| 188 | N041840 | HOUSING ASSEMBLY | 1 |
| 190 | 577745-01 | BALL BEARING | 1 |
| 191 | 586301-00 | NEEDLE BEARING | 1 |
| 192 | 323711-57 | O-RING | 1 |
| 193 | 1008427-00 | SPECIAL SCREW | 1 |
| 201 | 1008392-00 | LEFT COVER | 1 |
| 202 | N041839 | CHAIN | 1 |
| 203 | N041837 | GEAR | 1 |
| 204 | 1006280-00 | GUIDE | 1 |
| 205 | N047285 | CLUTCH ASSY. | 1 |
| 206 | 1006282-00 | GASKET | 1 |
| 800 | 870889-03 | GREASE | 1 |
| 810 | N040237 | TUBE OIL | 1 |
| 816 | N064908 | BRAND LABEL | 1 |
| 817 | 487395-01 | LABEL | 1 |
| 821 | N029842 | NAMEPLATE | 1 |
| 836 | 1003938-99 | SERVICE TOOL | 1 |
| 847 | N080635 | SERVICE KIT | 1 |
| 861 | 574931-22 | KITBOX | 1 |

