



Makita Werkzeug Ges.m.b.H.

Kolpingstrasse 13, 1230 Wien

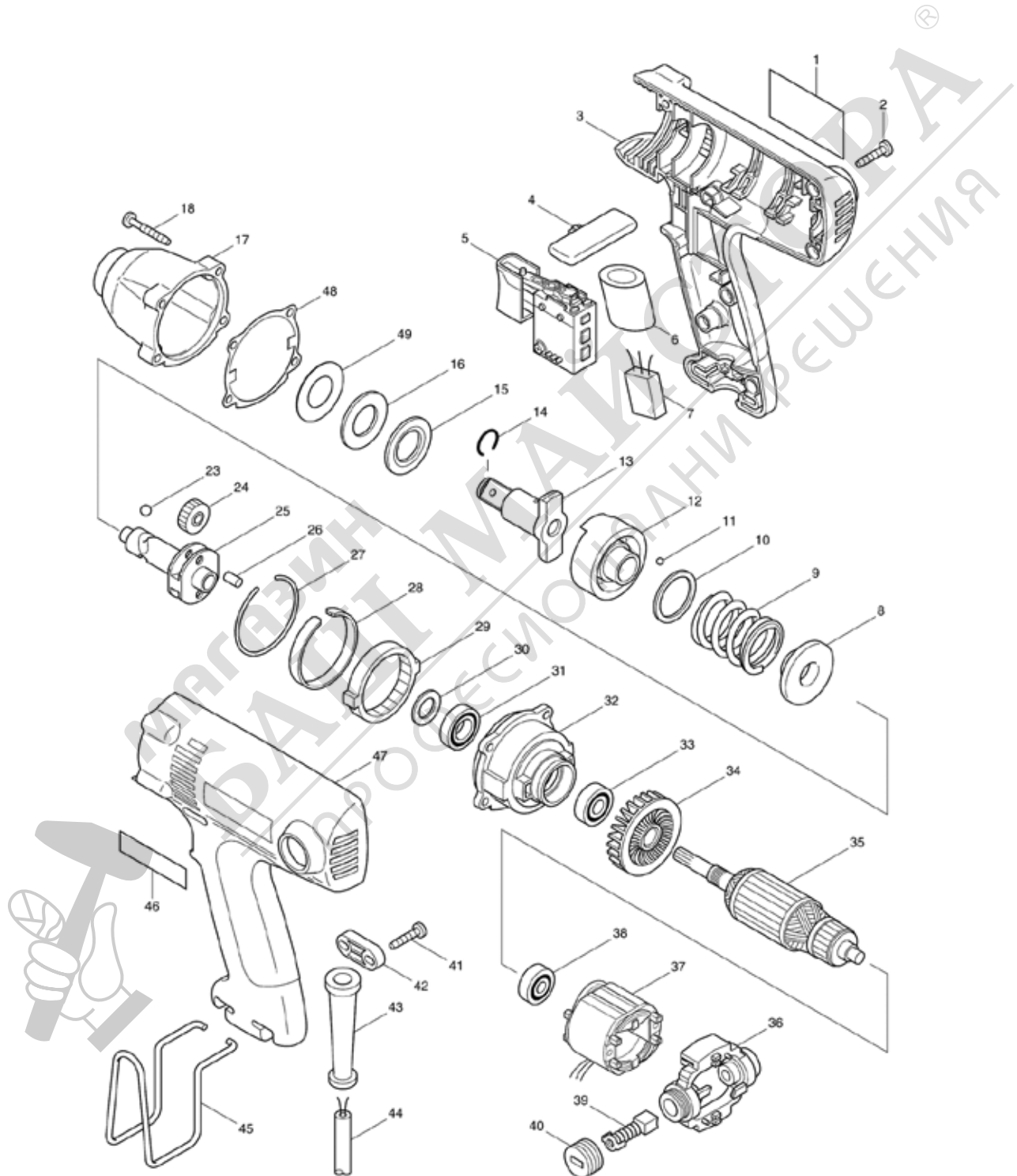
Tel: 01 / 616 27 30 - 0*

Fax: 01 / 616 27 30 - 40

Mail: verkauf@makita.at

Web: www.makita.at

Makita Service Information / Model: 6953





Makita Werkzeug Ges.m.b.H.

Kolpingstrasse 13, 1230 Wien

Tel: 01 / 616 27 30 - 0*

Fax: 01 / 616 27 30 - 40

Mail: verkauf@makita.at

Web: www.makita.at

Makita Service Information / Model: 6953

| POS | Bestell-Nr. | Artikelbeschreibung | Stk. | Stk.Preis |
|------|-------------|-------------------------------|------|-----------|
| 1 | 853010-4 | TYPENSCHILD 6953 | 1 | N/A |
| 2 | 265995-6 | SELBSTSCHN.SCHRA 4x18 BO5030 | 7 | N/A |
| 3 | 183394-9 | Gehäuse (R+L) 6953 | 1 | N/A |
| 3 | | *** INC. 46,47 | | N/A |
| 4 | 417553-6 | R/L Umschalthebel 6953 | 1 | N/A |
| 5 | 650523-4 | SCHALTER C3MA-DB 6953/TW0200 | 1 | N/A |
| 6 | 685722-9 | SCHAUMGUMMI 4302C/3620/RP.usw | 1 | N/A |
| 7 | 645253-0 | KONDENSATOR FS2300-6300 | 1 | N/A |
| 8 | 267759-4 | SCHEIBE 14 6953 | 1 | N/A |
| 9 | 233335-6 | DRUCKFEDER 25 6953 | 1 | N/A |
| 10 | 267175-0 | SCHEIBE 24 6914/16/18/BHR162 | 1 | N/A |
| 11 | 216001-0 | STAHLKUGEL 3.5 | 25 | N/A |
| 12 | 324174-6 | HAMMER 6953 | 1 | N/A |
| 13 | 324176-2 | AUFNAHME 6953 | 1 | N/A |
| 14 | 231907-1 | FEDERRING 10 (AUFNAHME) | 1 | N/A |
| 15 | 267227-7 | SCHEIBE 18 6953 | 1 | N/A |
| 16 | 261120-7 | GUMMISCHEIBE 18 6953 | 1 | N/A |
| 17 | 152827-5 | HAMMERGEHÄUSE 6953 | 1 | N/A |
| 18 | 922156-8 | HEX. SOCKET HEAD BOLT M4X30 | 4 | N/A |
| 18.2 | 266295-7 | INBUSSCHRAUBE M4x30 6953 | 4 | N/A |
| 23 | 216011-7 | STAHLKUGEL 5.6 | 2 | N/A |
| 24 | 227027-7 | ZAHNRAD 22 6953/BTW250RFE | 2 | N/A |
| 24.2 | 227233-4 | ZAHNRAD 22 6953/BTW250RFE | 2 | N/A |
| 25 | 324090-2 | SPINDEL 6953 | 1 | N/A |
| 26 | 268070-7 | STIFT 5 6953 | 2 | N/A |
| 26.2 | 256253-1 | STIFT 5 | 2 | N/A |
| 27 | 233910-8 | FEDERRING 43 6953 | 1 | N/A |
| 28 | 344991-8 | C-HÜLSE 45 6953 | 1 | N/A |
| 29 | 227001-5 | ZAHNRAD 51 6916/18D/6953 | 1 | N/A |
| 30 | 267212-0 | SCHEIBE 12 6916/18D/6953/BTD | 1 | N/A |
| 31 | 211140-1 | KUGELLAGER 6901LLB | 1 | N/A |
| 32 | 317428-8 | GETRIEBEGEHÄUSE 6953 | 1 | N/A |
| 33 | 210024-0 | KUGELLAGER 608 2RS | 1 | N/A |
| 34 | 240046-6 | LÜFTERADd 46 6953/TD0101F | 1 | N/A |
| 35 | 517554-5 | ANKER 6953 | 1 | N/A |
| 35 | | *** INC. 33,34,38 | | N/A |
| 36 | 152990-4 | KOHLEBÜRSTENHALTER 6953 | 1 | N/A |
| 37 | 635049-7 | FELD 6953 | 1 | N/A |
| 38 | 211021-9 | KUGELLAGER 607LLB/HP1630/31K | 1 | N/A |
| 39 | 191940-4 | KOHLN CB-411 | 1 | N/A |



Makita Werkzeug Ges.m.b.H.

Kolpingstrasse 13, 1230 Wien

Tel: 01 / 616 27 30 - 0*

Fax: 01 / 616 27 30 - 40

Mail: verkauf@makita.at

Web: www.makita.at

Makita Service Information / Model: 6953

| POS | Bestell-Nr. | Artikelbeschreibung | Stk. | Stk.Preis |
|------|-------------|-------------------------------|------|-----------|
| 40 | 643928 - 5 | KOHLKAPPE 9524NB/6951/3708 | 2 | N/A |
| 41 | 265995 - 6 | SELBSTSCHN.SCHRA 4x18 BO5030 | 2 | N/A |
| 42 | 687052 - 4 | KABELKLEMMPLATTE | 1 | N/A |
| 43 | 682566 - 8 | KABELSCHUTZ HR2450/2440/2230/ | 1 | N/A |
| 44 | 665865 - 3 | KABEL 1.0-2-2.5 N5900B/TD101 | 1 | N/A |
| 45 | 324129 - 1 | HOOK | 1 | N/A |
| 45.2 | 324284 - 9 | EINHÄNGECLIP 6953/TW0200 | 1 | N/A |
| 46 | 819063 - 3 | ETIKETTE " M A K I T A " | 1 | N/A |
| 47 | 183394 - 9 | Gehäuse (R+L) 6953 | 1 | N/A |
| 47 | | *** INC. 3,46 | | N/A |
| 48 | 442137 - 1 | Dichtung 6953 | 1 | N/A |
| 49 | 267235 - 8 | SCHEIBE 18 6953 | 1 | N/A |
| 1001 | 824630 - 1 | TRANSPORTKOFFER 6953 | 1 | N/A |
| 1002 | 134831 - 6 | SCHLAGNUSS 19-38 1/2" neu | 1 | N/A |

