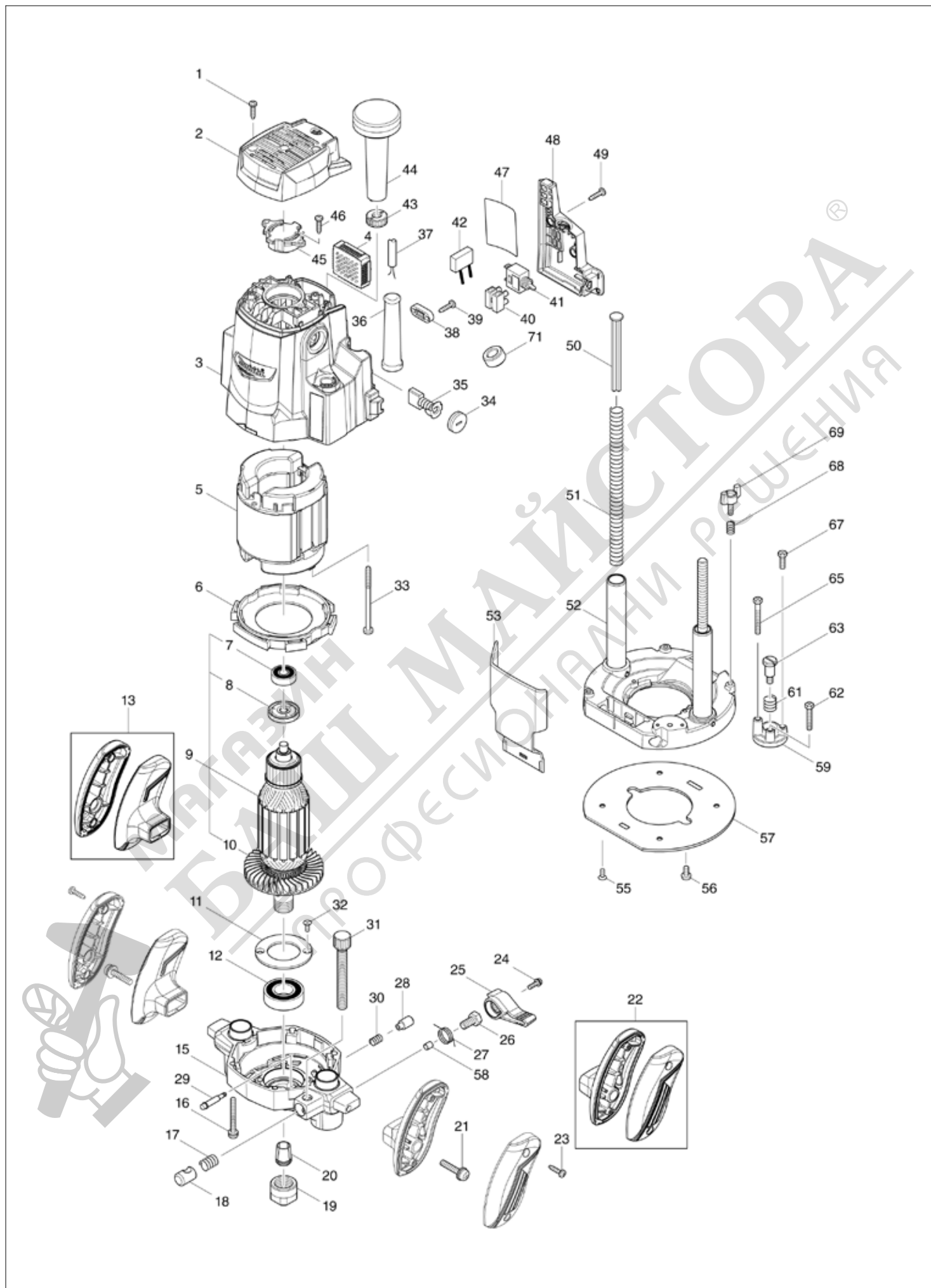


Diagram / Parts List

M3602

ROUTER





| | |
|----|-------|
| IN | INDIA |
|----|-------|

M3602 / ROUTER

| Item | Sub | Parts No. | Parts Description | Qty | I/C | E/C No. | Close No. | Remark |
|------|-----|-----------|-------------------------------|-----|-----|---------|-----------|--------|
| 001 | | 266326-2 | TAPPING SCREW 4X18 | 2 | | | | |
| 002 | | 413B12-0 | TOP COVER | 1 | | | | |
| 003 | | 141G21-6 | MOTOR HOUSING COMPLETE | 1 | | | | |
| | C10 | 643564-7 | BRUSH HOLDER | 2 | | | | |
| | C20 | 816811-1 | SCALE LABEL | 1 | | | | |
| 004 | | 620H00-8 | CONTROLLER | 1 | | | | |
| 005 | | 594784-5 | FIELD ASS'Y 240V | 1 | | | | |
| | C10 | 654451-5 | RING TERMINAL | 2 | | | | |
| | C20 | 654486-6 | PARALLEL SPLICE | 2 | | | | |
| 006 | | 418486-8 | BAFFLE PLATE | 1 | | | | |
| 007 | | 211381-9 | BALL BEARING 629ZZ | 1 | | | | |
| 008 | | 681666-1 | INSULATION WASHER | 1 | | | | |
| 009 | | 517884-4 | ARMATURE ASS'Y 240V | 1 | | | | |
| | D10 | | INC. 7,8,10 | | | | | |
| 010 | | 240069-4 | FAN 83 | 1 | | | | |
| 011 | | 285711-0 | BEARING RETAINER 50 | 1 | | | | |
| 012 | | 211335-6 | BALL BEARING 6004ZZ | 1 | | | | |
| 013 | | 183C93-1 | GRIP L SET | 1 | | | | |
| 015 | | 141868-6 | MOTOR BRACKET COMPLETE | 1 | | | | |
| 016 | | 911268-2 | PAN HEAD SCREW M5X45 | 4 | | | | |
| 017 | | 233397-4 | COMPRESSION SPRING 11 | 1 | | | | |
| 018 | | 324424-9 | HALF NUT | 1 | | | | |
| 019 | | 763629-0 | COLLET NUT | 1 | | | | |
| 020 | | 763628-2 | COLLET CONE 12MM | 1 | | | | |
| 021 | | 911353-1 | PAN HEAD SCREW M6X30 | 2 | | | | |
| 022 | | 183C94-9 | GRIP R SET | 1 | | | | |
| 023 | | 266326-2 | TAPPING SCREW 4X18 | 4 | | | | |
| 024 | | 265099-4 | PAN HEAD SCREW M4X14 | 1 | | | | |
| 025 | | 454033-1 | LOCK LEVER | 1 | | | | |
| 026 | | 266335-1 | SET BOLT M8X16 | 1 | | | | |
| 027 | | 231670-6 | TORSION SPRING 16 | 1 | | | | |
| 028 | | 286270-7 | CAP 11 | 1 | | | | |
| 029 | | 256482-6 | SHOULDER PIN 6 | 1 | | | | |
| 030 | | 233396-6 | COMPRESSION SPRING 7 | 1 | | | | |
| 031 | | 265759-8 | THUMB SCREW M10X80 | 1 | | | | |
| 032 | | 265135-6 | + COUNTERSUNK HEAD SCREW M4X1 | 2 | | | | |
| 033 | | 266328-8 | TAPPING SCREW 5X80 | 2 | | | | |
| 034 | | 643700-5 | BRUSH HOLDER CAP 7-18 | 2 | | | | |
| 035 | | 191953-5 | CARBON BRUSH CB-203 | 1 | | | | |
| 036 | | 682574-9 | CORD GUARD 10-90 | 1 | | | | |
| 037 | | 665852-2 | POWER SUPPLY CORD 1.0-2-2.0 | 1 | | | | |
| 038 | | 687124-5 | STRAIN RELIEF | 1 | | | | |
| 039 | | 266326-2 | TAPPING SCREW 4X18 | 2 | | | | |
| 040 | | 654531-7 | TERMINAL BLOCK 2P | 1 | | | | |
| 041 | | 651066-9 | SWITCH ST115A-TB-S1 | 1 | | | | |
| 042 | | 645238-6 | NOISE SUPPRESSOR | 1 | | | DC770 | |
| 043 | | 418484-2 | NYLON NUT M10 | 1 | | | | |
| 044 | | 153764-6 | KNOB 50 COMPLETE | 1 | | | | |
| 045 | | 317747-2 | BEARING BOX | 1 | | | | |
| 046 | | 266326-2 | TAPPING SCREW 4X18 | 2 | | | | |
| 047 | | 8111T9-1 | M3602 NAME PLATE | 1 | | | | |
| 048 | | 413B13-8 | SWITCH COVER | 1 | | | | |
| 049 | | 266326-2 | TAPPING SCREW 4X18 | 2 | | | | |
| 050 | | 418492-3 | POLE | 1 | | | | |
| 051 | | 233456-4 | COMPRESSION SPRING 11 | 2 | | | | |
| 052 | | 141867-8 | BASE COMPLETE | 1 | | | | |
| 053 | | 454032-3 | CHIP DEFLECTOR | 1 | | | | |
| 055 | | 265135-6 | + COUNTERSUNK HEAD SCREW M4X1 | 4 | | | | |
| 056 | | 265133-0 | + BINDING HEAD SCREW M5X10 | 2 | | | | |
| 057 | | 454026-8 | BASE PLATE | 1 | | | | |
| 058 | | 324425-7 | LOCK PIN | 1 | | | | |
| 059 | | 317748-0 | STOPPER | 1 | | | | |
| 061 | | 233398-2 | COMPRESSION SPRING 12 | 1 | | | | |
| 062 | | 265587-1 | +HEX. BOLT M5X20 | 1 | | | | |
| 063 | | 251470-8 | - FLAT HEAD SCREW M6 | 1 | | | | |

Interchange
O : Yes
X : No
< : the new part can be substituted for the current.
> : the current part can be substituted for the new.
S : Interchangeable as a set.

