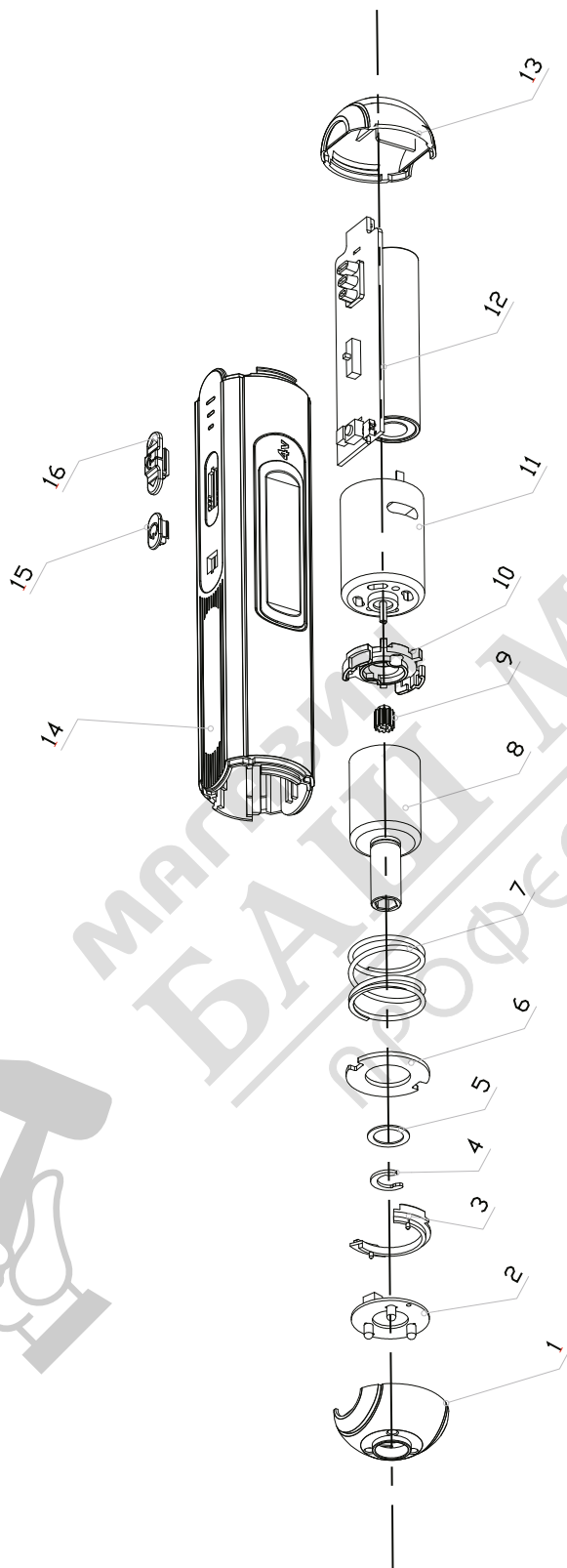


ASSEMBLY DIAGRAM & PARTS LIST



Part	Description	Qty.
1	Front cover	1
2	LED board	1
3	Light plate bracket	1
4	Circlips	1
5	Spacer	1
6	Positioning spacer	1
7	Spring	1
8	Gearbox set	1
9	Pinion	1
10	Connector	1
11	Motor	1
12	PDB components	1
13	Back cover	1
14	Housing	1
15	Switch button	1
16	Function push button	1