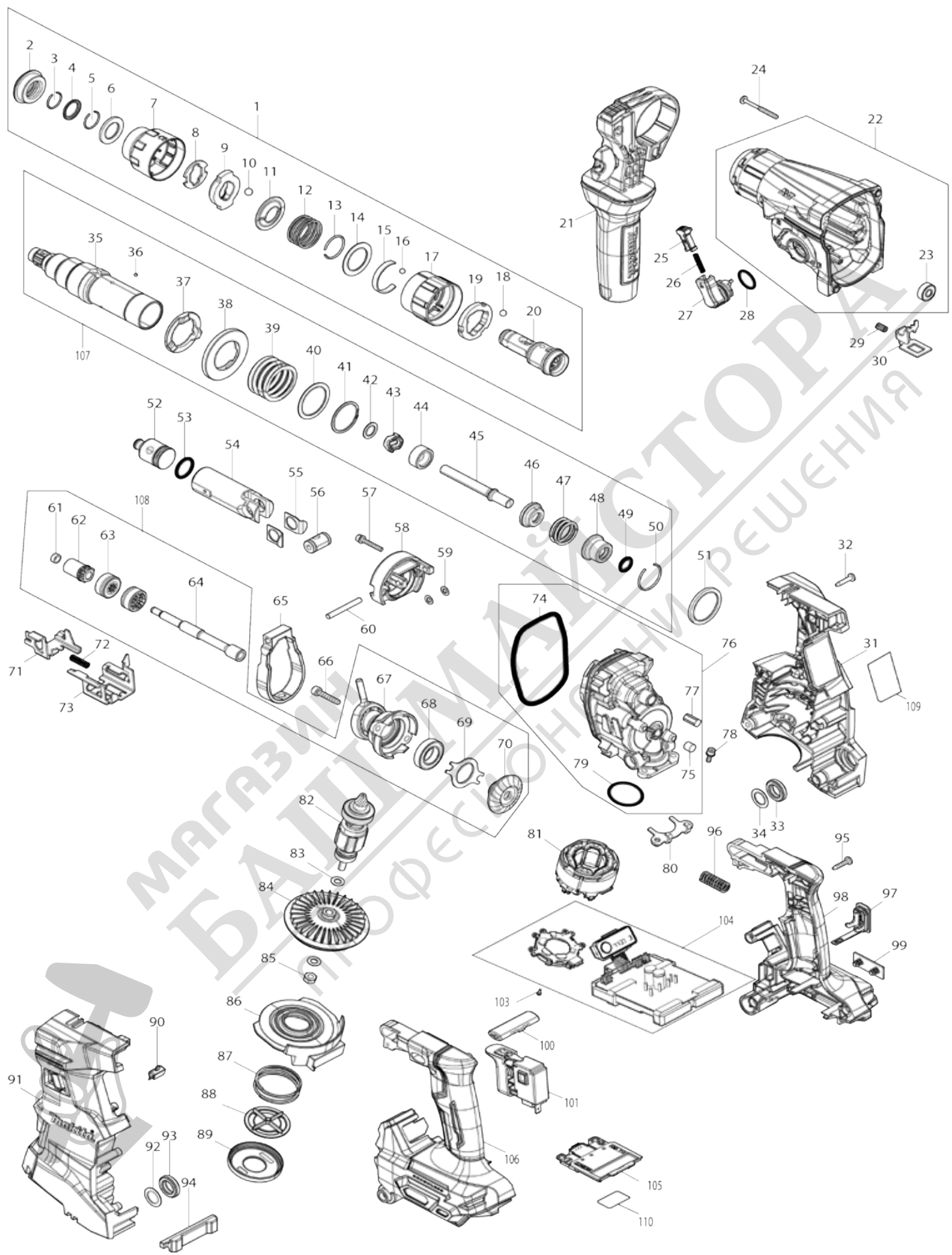


Model No.HR012G 28MM CRDLS COMBINATION HAMMER



Model No.HR012G 28MM CRDLS COMBINATION HAMMER

Item No.	Parts No.	Description	Interchangability	Qty	New/Old	Note1	Note2
001	127219-7	Tool holder assembly		1			
001		INC. 2-20					
002	422570-3	Cap 35		1			
003	233989-9	Ring spring 14		1			
004	346834-0	Washer 16		1			
005	233992-0	Ring spring 15		1			
006	253467-3	Washer 17		1			
007	459162-5	Chuck cover		1			
008	347687-0	Plate		1			
009	310926-1	Stopper		1			
010	216022-2	Steel ball 7.0		2			
011	347745-2	Guide washer		1			
012	232554-1	Compression spring 26		1			
013	233924-7	Ring spring 21		1			
014	253468-1	Flat washer 24		1			
015	232555-9	Leaf spring		1			
016	216018-3	Steel ball 5.0		1			
017	459159-4	Change cover A		1			
018	216013-3	Steel ball 6		3			
019	347496-7	Change ring A		1			
020	327264-4	Tool holder		1			
021	122K22-7	GRIP ASSEMBLY		1			
C10	265625-9	Thumb screw M6X50		1			
022	137389-4	GEAR HOUSING SET		1			
022		INC. 23					
023	210028-2	Ball bearing 606ZZ		1			
024	266560-4	Binding head tapping screw 4X40		4			
025	457709-9	Lock button		1			
026	234264-6	Compression spring 3		1			
027	161656-5	Change lever complete		1			
028	213278-8	O-ring 17		1			
029	233360-7	Compression spring 4		1			
030	347E07-8	LOCK PLATE		1			
031	183154-7	HOUSING SET		1			
031		INC. 91					
032	266326-2	Binding head tapping screw 4X18		9			
033	459184-5	Cushion ring 12		1			
034	253798-0	Flat washer 13		1			
035	1412E4-1	TOOL HOLDER GUIDE COMPLETE		1			
036	216068-8	Steel ball 3		3			
037	327D75-1	Driving flange		1			
038	227C33-0	SPUR GEAR 40		1			
039	232952-9	COMPRESSION SPRING 31		1			
040	267153-0	Flat washer 30		1			
041	257932-4	Spiro lock washer 30		1			

042	253634-0	FLAT WASHER 11	1		
043	422C70-1	CUSHION SLEEVE 11	1		
044	327F69-8	SLEEVE 9	1		
045	327F76-1	IMPACT BOLT B	1		
046	327F73-7	WASHER 10	1		
047	232969-2	COMPRESSION SPRING 20	1		
048	327F72-9	O-RING CASE	1		
049	213073-6	O-ring 9	1		
050	233979-2	Ring spring 28	1		
051	347D13-7	RING 30	1		
052	327F70-3	STRIKER	1		
053	213258-4	O-ring 17.5	1		
054	312J32-8	PISTON CYLINDER	1		
055	347E05-2	GUIDE PLATE	2		
056	327F74-5	PISTON JOINT	1		
057	922148-7	Hex. socket head bolt M4X25 WR	2		
058	1412E1-7	INNER SUPPORT COMPLETE	1		
059	253811-4	Flat washer 5	2		
060	256573-3	Pin 5	1		
061	257A41-5	Ring 6	1		
062	227B56-2	Spur gear 9	1		
063	327F77-9	CLUTCH CAM	2		
064	327F75-3	CAM SHAFT	1		
065	313664-4	COUNTER WEIGHT	1		
066	265F03-9	HEX.SOCKET HEAD BOLT M5X25	2		
067	219041-7	SWASH BEARING 10	1		
068	210302-8	Ball bearing 6903ZZ	1		
069	347E06-0	BEARING RETAINER B	1		
070	227C31-4	SPIRAL BEVEL GEAR 29	1		
071	347E09-4	CHANGE PLATE B	1		
072	234343-0	Compression spring 5	1		
073	347E08-6	CHANGE PLATE A	1		
074	213850-6	O-ring 74	1		
075	443153-6	Felt	1		
076	137392-5	INNER HOUSING ASS'Y	1		
076		INC. 74,75,77,79			
077	263045-1	Rubber pin 8	1		
078	922118-6	Hex. socket head bolt M4X12 WR	2		
079	213415-4	O-ring 28	1		
080	347E10-9	BEARING RETAINER A	1		
081	629D40-9	STATOR	1		
082	619911-4	ROTOR	1		
083	253715-0	Flat washer 6	2		
084	240262-0	FAN 65	1		
085	252186-8	Hex. nut M6	1		
086	4133C3-8	AIR DUCT	1		
087	232796-7	Compression spring 37	1		
088	413N14-8	Valve	1		
089	413N15-6	Cap	1		
090	620S12-7	LED CIRCUIT	1		
091	183154-7	HOUSING SET	1		
091		INC. 31			

092	253798-0	Flat washer 13		1		
093	459184-5	Cushion ring 12		1		
094	422C71-9	BATTERY CUSHION		1		
095	266326-2	Binding head tapping screw 4X18		5		
096	232953-7	COMPRESSION SPRING 8		1		
097	140G30-2	Cap complete		1		
C10	213A05-9	O-ring 16		1		
098	1831S1-3	HANDLE SET		1		
C10	263005-3	Rubber pin 6		2		
098		INC. 106				
099	459753-2	Cap		1		
100	453124-5	F/R change lever		1		
101	651439-6	Switch C3JR-4B-2		1		
103	652119-7	Pan head screw M2X6		6		
104	137396-7	CONTROLLER ASS'Y		1		
105	632P64-8	Terminal unit		1		
106	1831S1-3	HANDLE SET		1		
C10	263005-3	Rubber pin 6		2		
106		INC. 98				
107	137397-5	TOOL HOLDER ASS'Y		1		
107		INC. 35-50				
108	137391-7	CAM SHAFT ASS'Y		1		
108		INC. 61-64,67-70				
109	8152G1-4	HR012G NAME PLATE		1		
110	8152G2-2	HR012G SERIAL NO. LABEL		1		
A01	331886-4	Depth gauge		1		
A02	198993-4	Grease vessel set		1		
A03	191F46-4	Drill chuck set		1	*	
A03-1	191F46-4	Drill chuck set	O	1		
A04	821552-6	Connector plastic case (type 4)		1		
C10	453974-8	Latch		4		
A05	836491-7	INNER TRAY		1		
A06	***DC40RA	DC40RA FAST CHARGER		1		
A06		COMPO-PARTS				
A07	412393-7	Battery cover		2		
A08	191B26-6	Battery BL4040 set		2		
A08	1917Y6-7	BATTERY BL4040F SET		2		
A09	***DX18	DX18 DUST COLLECTION SYSTEM		1		
A09		COMPO-PARTS				
A10	422784-4	Sealing cap		5		
F03	191F46-4	Drill chuck set		1		
F04	191F47-2	Tool holder set		1		
F05	191W90-3	Hook set		1		
F06	1914L8-4	Dust cup set		1		
F07	1914M0-7	Dust cup set		1		
F08	1916C0-9	DUST CASE SET		1		
F14	194254-0	Keyless drill chuck set		1		
F16	198900-7	Wireless unit set		1		
F21	199596-7	Filter set		1		

Please state Parts No. when your order.

Print Date 12/02/2025