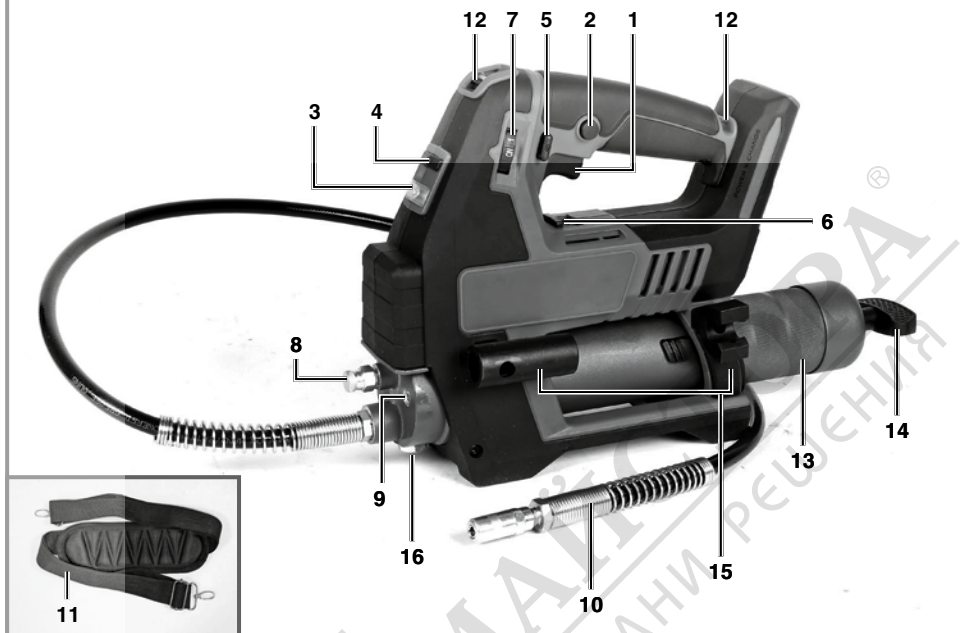
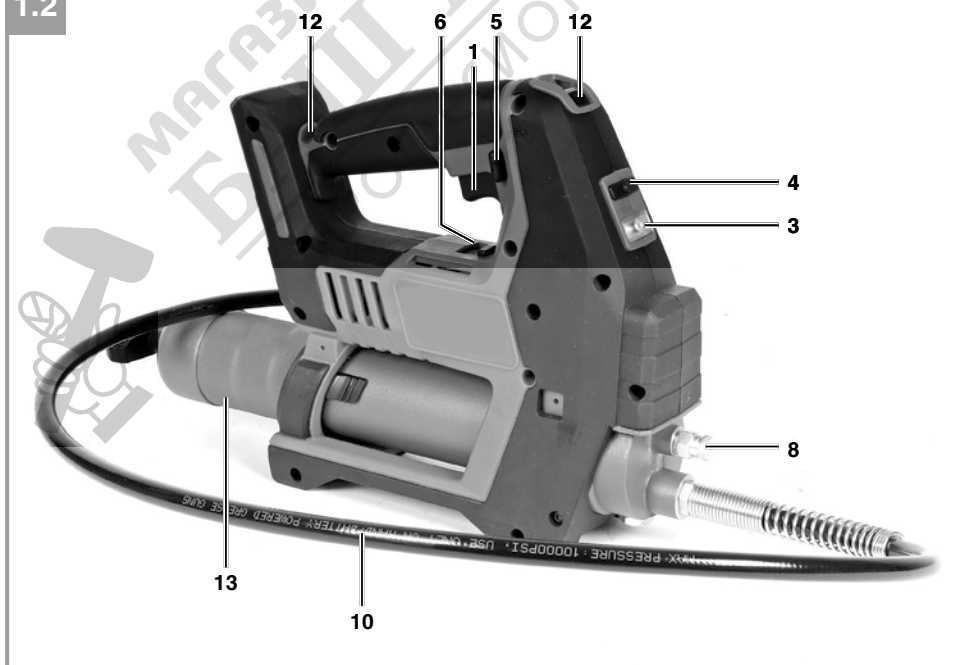


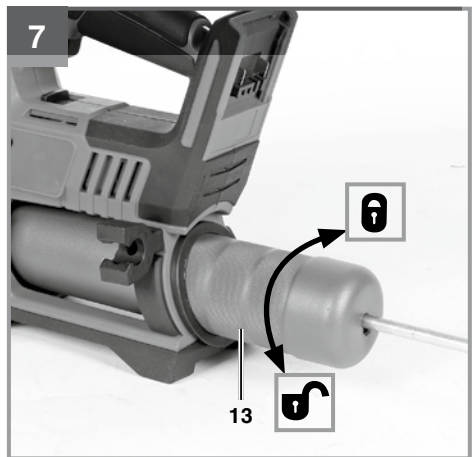
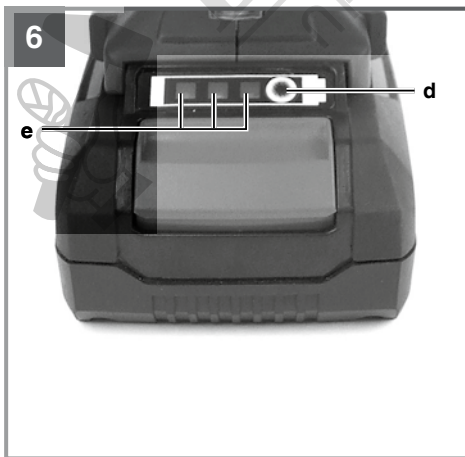
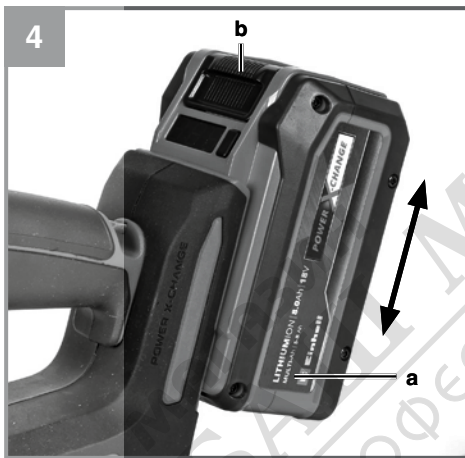
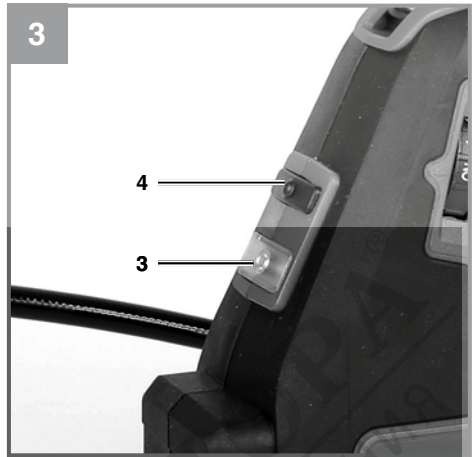
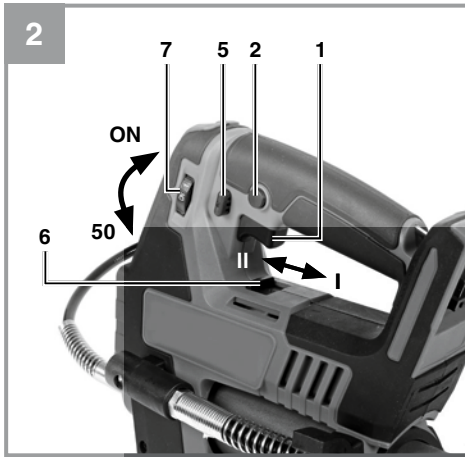
DE	Originalbetriebsanleitung Akku-Fettpresse	RO	Instrucțiuni de utilizare originale Presă de vaselină cu acumulator
EN	Original operating instructions Cordless Grease Gun	EL	Πρωτότυπες Οδηγίες χρήσης Akuga määrdprints
FR	Instructions d'origine Pompe à graisse sans fil	PT	Manual de instruções original Pistola de lubrificação sem fio
IT	Istruzioni per l'uso originali Ingrassatore a siringa a batteria	HR/ BS	Originalne upute za uporabu Baterijska mazalica
DA/ NO	Original betjeningsvejledning Akku-fedtsprøjte	SR	Originalna uputstva za upotrebu Akumulatorska mazalica
SV	Original-bruksanvisning Batteridrivnen fettspruta	PL	Instrukcja oryginalna Smarownica akumulatorowa
CS	Originální návod k obsluze Akumulátorový mazací lis	TR	Orijinal Kullanma Talimatı Akülü gres presi
SK	Originálny návod na obsluhu Akumulátorový mazací lis	RU	Оригинальное руководство по эксплуатации Аккумуляторный шприц для смазки
NL	Originele handleiding Accu vetspuit	ET	Originaalkasutusjuhend Akuga määrdprints
ES	Manual de instrucciones original Pistola de engrasar inalámbrica	LV	Originālā lietošanas instrukcija Akumulatora smērvielas pistole
FI	Alkuperäiskäyttöohje Akku-rasvapuserin	LT	Originali naudojimo instrukcija Akumuliatorinis tepimo presas
SL	Originalna navodila za uporabo Akumulatorska pištola za mast	UK	Оригінальна інструкція з експлуатації Акумуляторний мастильний пістолет
HU	Eredeti használati utasítás Akkus-zsirzoprés		

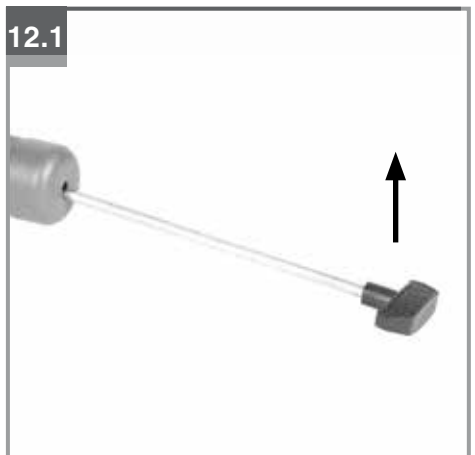
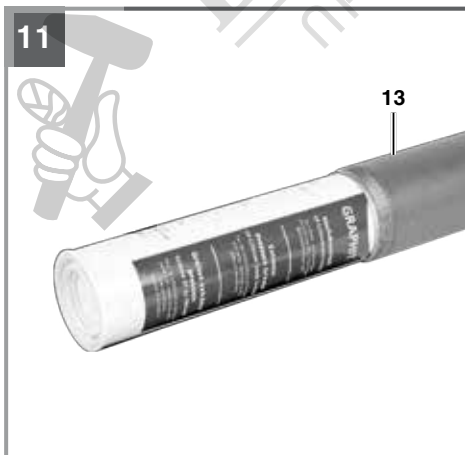
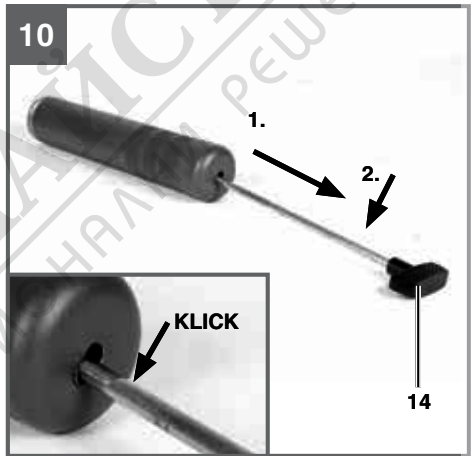
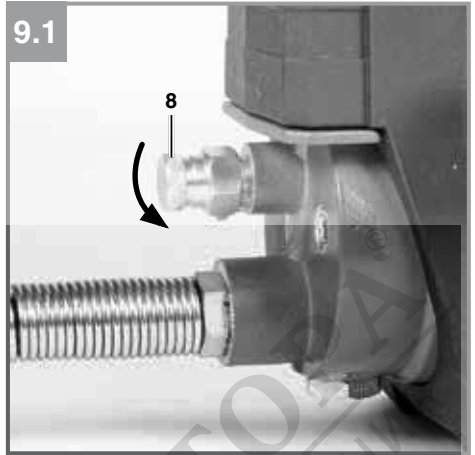
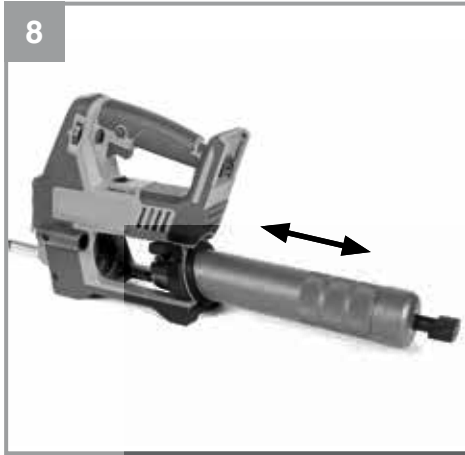
1.1



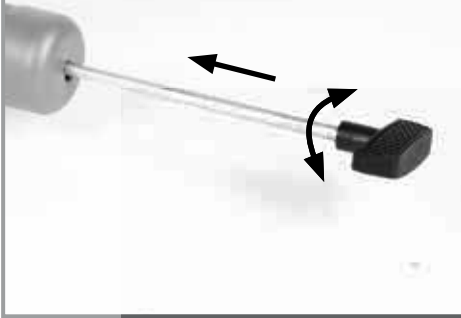
1.2







12.2



13.1



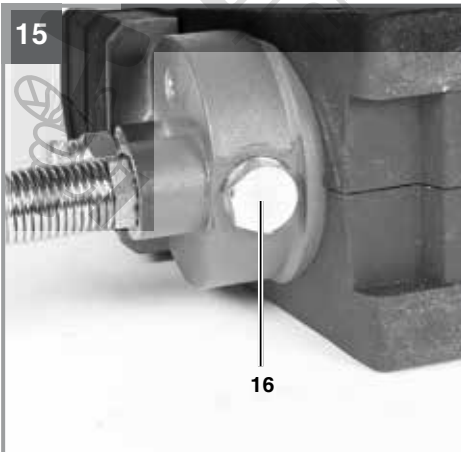
13.2



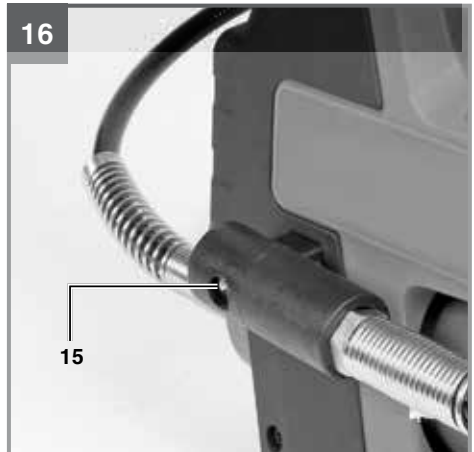
14



15



16



17

1



2



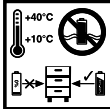
3



4



5



МАГАЗИН
БАШ МАЙСТОРА[®]
ПРОФЕСІОНАЛНИ РЕШЕННЯ



Danger!

When using the equipment, a few safety precautions must be observed to avoid injuries and damage. Please read the complete operating instructions and safety regulations with due care. Keep this manual in a safe place, so that the information is available at all times. If you give the equipment to any other person, hand over these operating instructions and safety regulations as well. We cannot accept any liability for damage or accidents which arise due to a failure to follow these instructions and the safety instructions.

1. Safety regulations

The corresponding safety information can be found in the enclosed booklet.

WARNING!

Read all safety warnings, instructions, illustrations and specifications provided with this power tool. Failure to follow all instructions listed below may result in electric shock, fire and/or serious injury.

Save all warnings and instructions for future reference.

Explanation of the symbols used (see Fig. 17)

1. **Danger!** - Read the operating instructions to reduce the risk of injury.
2. **Caution! Wear ear-muffs.** The impact of noise can cause damage to hearing.
3. **Caution! Wear a breathing mask.** Dust which is injurious to health can be generated when working on wood and other materials. Never use the device to work on any materials containing asbestos!
4. **Caution! Wear safety goggles.** Sparks generated during working or splinters, chips and dust emitted by the device can cause loss of sight.
5. **Store the batteries only in dry rooms with an ambient temperature of +10°C to +40°C. Place only fully charged batteries in storage (charged at least 40%).**

2. Layout and items supplied**2.1 Layout (Fig. 1)**

1. On/Off trigger
2. Locking button
3. LED lamp
4. On/Off switch for LED lamp

5. Trigger lock
6. Speed selector
7. Piston stroke counter dial
8. Bleed valve
9. Filler hole cap
10. Flexible pressure hose
11. Strap
12. Strap eyelets
13. Barrel
14. Rod handle
15. Hose clamp
16. Pressure release screw

2.2 Items supplied

Please check that the article is complete as specified in the scope of delivery. If parts are missing, please contact our service center or the sales outlet where you made your purchase at the latest within 5 working days after purchasing the product and upon presentation of a valid bill of purchase. Also, refer to the warranty table in the service information at the end of the operating instructions.

- Open the packaging and take out the equipment with care.
- Remove the packaging material and any packaging and/or transportation braces (if available).
- Check to see if all items are supplied.
- Inspect the equipment and accessories for transport damage.
- If possible, please keep the packaging until the end of the guarantee period.

Danger!

The equipment and packaging material are not toys. Do not let children play with plastic bags, foils or small parts. There is a danger of swallowing or suffocating!

- Cordless Grease Gun
- Original operating instructions
- Safety instructions

3. Proper use

The cordless grease gun is designed for automatic delivery of lubricating grease.

The equipment is to be used only for its prescribed purpose. Any other use is deemed to be a case of misuse. The user / operator and not the manufacturer will be liable for any damage or inju-

ries of any kind caused as a result of this.

4. Technical data

Motor power supply	18V DC
Cartridge grease capacity	400g
Bag grease capacity	455g
Maximum operating pressure	690bar (69MPa)
Maximum delivery rate	295ml/min
Compatible lubricating grease	NLGI Nr. 0 – Nr. 2
Hose thread for mouthpiece.....	
.....	1/8" NPTF (length 8 mm)
Thread for filling nipple.....	
.....	1/8" NPTF (length 10 mm)
Weight:	4,0 kg

Danger!

Sound and vibration

Sound and vibration values were measured in accordance with EN 62841.

L_{pA} sound pressure level	75,7 dB(A)
K_{pA} uncertainty	3 dB
L_{WA} sound power level	83,7 dB(A)
K_{WA} uncertainty	3 dB

Wear ear-muffs.

The impact of noise can cause damage to hearing.

Total vibration values (vector sum of three directions) determined in accordance with EN 62841.

Handle

Vibration emission value $a_h \leq 2,5 \text{ m/s}^2$
K uncertainty = 1.5 m/s^2

Additional handle

Vibration emission value $a_h \leq 2,5 \text{ m/s}^2$
K uncertainty = 1.5 m/s^2

The stated vibration emission levels and stated noise emission values were measured in accordance with a set of standardized criteria and can be used to compare one power tool with another.

The stated vibration emission levels and stated noise emission values can also be used to make an initial assessment of exposure.

Warning:

The vibration and noise emission levels may vary from the level specified during actual use, depending on the way in which the power tool is used, especially the type of workpiece it is used for.

Keep the noise emissions and vibrations to a minimum.

- Only use appliances which are in perfect working order.
- Service and clean the appliance regularly.
- Adapt your working style to suit the appliance.
- Do not overload the appliance.
- Have the appliance serviced whenever necessary.
- Switch the appliance off when it is not in use.
- Wear protective gloves.

Caution!

Residual risks

Even if you use this electric power tool in accordance with instructions, certain residual risks cannot be ruled out. The following hazards may arise in connection with the equipment's construction and layout:

1. Lung damage if no suitable protective dust mask is used.
2. Damage to hearing if no suitable ear protection is used.
3. Health damage caused by hand-arm vibrations if the equipment is used over a prolonged period or is not properly guided and maintained.

5. Before starting the equipment

Warning!

Always remove the battery before making adjustments to the tool.

5.1 Fitting the strap (Item 11)

The strap (11) allows you to easily carry the cordless grease gun or hang it up for convenient use. Simply attach the strap (11) to both strap eyelets (12).

5.2 Selecting the delivery speed (Fig. 2/Item 6)

The cordless grease gun offers two delivery speeds (100ml/min) and II (295ml/min). Select the desired delivery speed by toggling the speed selector (6).

5.3 Piston stroke counter dial (Fig. 2/Item 7)

Use the piston stroke counter dial (7) to select the number of piston strokes before the cordless grease gun switches off.

You can choose from the following settings:

ON:

Grease will be dispensed until you release the On/Off trigger.

1;2;3;4;5;6;7;8;9;10;15;20;25;50:

Grease will be dispensed for a specific number of piston strokes, e.g., if 25 is selected, the gun will carry out 25 piston strokes.

The On/Off trigger must be pressed the entire time.

5.4 On/Off trigger (Fig. 2/Item 1)

The On/Off trigger (1) is locked to prevent it from being accidentally switched on.

To unlock it, slide the trigger lock (5) to the left.

To lock it, slide the trigger lock (5) the right.

With the On/Off trigger (1) unlocked, press the trigger to switch on the cordless grease gun.

To switch off, release the On/Off trigger.

The locking button (2) can be used to make the cordless grease gun operate continuously. To do this, press the On/Off trigger (1) and lock it with the locking button (2).

To switch it off, briefly press the On/Off trigger (1) and then release it.

5.5 LED lamp (Fig. 3/Item 3)

The cordless grease gun is equipped with a LED lamp (3) that can be switched on and off as needed by pressing the On/Off switch for LED lamp (4).

If the tool is left idle for 5 minutes, the LED lamp (3) will automatically switch off.

5.6 Charging the battery (Fig. 4-5)

1. Remove the battery pack (a) from the handle, pressing the pushlock button (b) downwards as you do so.
2. Check that your mains voltage is the same as that marked on the rating plate. Insert the power plug of the charger (c) into the socket

outlet. The green LED will begin to blink.

3. Insert the battery into the charger.
4. In the section entitled „Charger indicator“ you will find a table with an explanation of the LED display on the charger.

The battery can become a little warm during the charging. This is normal.

If the battery pack fails to charge, check:

- whether there is voltage at the socket outlet.
- Is there good contact at the charging contacts?

If the battery pack still fails to charge, please send

- the charger
- and the battery pack

to our customer service center.

To ensure that items are properly packaged and delivered when you send them to us, please contact our customer service or the point of sale at which the equipment was purchased.

When shipping or disposing of batteries and cordless tools, always ensure that they are packed individually in plastic bags to prevent short circuits and fires.

To ensure that the battery pack provides long service, you should take care to recharge it promptly. You must recharge the battery pack when you notice that the performance of the device drops. Never allow the battery pack to become fully discharged. This will cause it to develop a defect.

5.7 Battery capacity indicator (Fig. 6)

Press the button for the battery capacity indicator (d). The battery capacity indicator (e) shows the charge status of the battery using 3 LEDs.

All 3 LEDs are lit:

The battery is fully charged.

2 or 1 LED(s) are lit:

The battery has an adequate remaining charge.

1 LED flashes:

The battery is empty, recharge the battery.

All LEDs blink:

The battery temperature is too low. Remove the battery from the equipment, keep it at room

temperature for one day. If the fault reoccurs, this means that the rechargeable battery has undergone exhaustive discharge and is defective. Remove the battery from the equipment. Never use or charge a defective battery.

6. Operation

6.1 Fitting/removing the barrel (Fig. 7+8/ Item 13)

To remove the barrel (13), twist it counterclockwise and pull it out of the housing.

For assembly, proceed in reverse order.

6.2 Inserting a grease cartridge (Fig. 9-13)

- Completely open the bleed valve (8) (Fig. 9).
- Pull the rod handle (14) fully out of the barrel (13) and latch it as shown in Fig. 10.
- Remove the barrel (13) as described in 6.1.
- Open the grease cartridge and insert it into the barrel (13) as shown in Fig. 11.
- Fit the barrel (13) as described in 6.1.
- Release the rod handle (14) from locked position and press it all the way forward with a rotating movement (Fig. 12).
- Any trapped air will be discharged through the bleed valve (8).
- Wait until grease is discharged through the bleed valve and then close the bleed valve (8) (Fig. 13).

6.3 Filling the barrel from a bulk container

The barrel (13) can also be easily filled from an open container.

- Completely open the bleed valve (8) (Fig. 9).
- Remove the barrel (13) as described in 6.1.
- Immerse the tip of the barrel (13) into the grease in the container.
- Pull the rod handle (14) slowly out of the barrel (13) and latch it. The grease will be suctioned directly from the container into the barrel.
- Fit the barrel (13) as described in 6.1.
- Release the rod handle (14) from locked position and press it all the way forward. (Fig. 12)
- Any trapped air will be discharged through the bleed valve (8).
- Wait until grease is discharged through the bleed valve and then close the bleed valve (8) (Fig. 13).

6.4 Filling the barrel from a bulk container using a filling pump

A filling pump can also be used to fill the barrel (13) from an open container.

- Completely open the bleed valve (8) (Fig. 9).
- Remove the filler hole cap (9) (Fig. 14) and attach an appropriate filling nipple that fits the filler pump.
- Fill the barrel (13) until the rod handle (14) is pushed completely out.
- Remove the filling pump.
- Remove the filling nipple.
- Insert the filler hole cap (9) (Fig. 14) again.
- Push the rod handle (14) all the way forward (Fig. 12).
- Any trapped air will be discharged through the bleed valve (8).
- Wait until grease is discharged through the bleed valve and then close the bleed valve (8) (Fig. 13).

6.5 Using the grease gun

- Select the delivery speed as described in 5.2.
- Set the desired number of piston strokes on the counter dial (7) as described in 5.3.
- Attach the grease nipple to the flexible pressure hose.
- Press the On- Off trigger (1).
- Release the On/Off trigger.

6.6 Pressure release screw (Fig. 15/Item 16)

If the internal pressure exceeds a certain level, the hose package can no longer be released from the grease nipple. Use an appropriate wrench (size 17) to loosen the pressure release screw (16) in order to reduce the pressure completely and then tighten the pressure release screw (16) again.

6.7 Hose clamp (Fig. 16/Item 15)

After use, the hose clamp (15) can be used to attach the flexible pressure hose (10) securely to the tool. Insert the hose into the hose clamp as shown in Fig. 16.

7. Cleaning, maintenance and ordering of spare parts

Danger!

Always pull out the mains power plug before starting any cleaning work.

7.1 Cleaning

- Keep all safety devices, air vents and the motor housing free of dirt and dust as far as possible. Wipe the equipment with a clean cloth or blow it with compressed air at low

- pressure.
- We recommend that you clean the device immediately each time you have finished using it.
 - Clean the equipment regularly with a moist cloth and some soft soap. Do not use cleaning agents or solvents; these could attack the plastic parts of the equipment. Ensure that no water can seep into the device. The ingress of water into an electric tool increases the risk of an electric shock.

7.2 Maintenance

There are no parts inside the equipment which require additional maintenance.

7.3 Ordering replacement parts:

Please quote the following data when ordering replacement parts:

- Type of machine
- Article number of the machine
- Identification number of the machine
- Replacement part number of the part required

For our latest prices and information please go to www.Einhell-Service.com

8. Disposal and recycling

The equipment is supplied in packaging to prevent it from being damaged in transit. The raw materials in this packaging can be reused or recycled. The equipment and its accessories are made of various types of material, such as metal and plastic. Never place defective equipment in your household refuse. The equipment should be taken to a suitable collection center for proper disposal. If you do not know the whereabouts of such a collection point, you should ask in your local council offices.

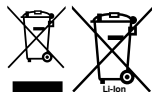
9. Storage

Store the equipment and accessories in a dark and dry place at above freezing temperature. The ideal storage temperature is between 5 and 30 °C. Store the electric tool in its original packaging.

10. Charger indicator

Indicator status		Explanations and actions
Red LED	Green LED	
Off	Flashing	<p>Ready for use The charger is connected to the mains and is ready for use; there is no battery pack in the charger</p>
On	Off	<p>Charging The charger is charging the battery pack in quick charge mode. The charging times are shown directly on the charger. Important! The actual charging times may vary slightly from the stated charging times depending on the existing battery charge.</p>
Off	On	<p>The battery is charged and ready for use. (READY TO GO) The unit then changes over to gentle charging mode until the battery is fully charged. To do this, leave the rechargeable battery on the charger for approx. 15 minutes longer. Action: Take the battery pack out of the charger. Disconnect the charger from the mains supply.</p>
Flashing	Off	<p>Adapted charging The charger is in gentle charging mode. For safety reasons the charging is performed less quickly and takes more time. The reasons can be: - The rechargeable battery has not been used for a very long time. - The battery temperature is outside the ideal range. Action: Wait for the charging to be completed; you can still continue to charge the battery pack.</p>
Flashing	Flashing	<p>Fault Charging is no longer possible. The battery pack is defective. Action: Never charge a defective battery pack. Take the battery pack out of the charger.</p>
On	On	<p>Temperature fault The battery pack is too hot (e.g. due to direct sunshine) or too cold (below 0° C). Action: Remove the battery pack and keep it at room temperature (approx. 20° C) for one day .</p>

Disposal



Power tools, rechargeable batteries, accessories and packaging should be sorted for environmental-friendly recycling.

Do not dispose of power tools and batteries/rechargeable batteries into household waste! ☺

Only for EU countries:

According to the Directive 2012/19/EU on waste electrical and electronic equipment and its transposition into national law, power tools that are no longer usable, and, according to the Directive 2006/66/EC, defective or drained batteries must be collected separately and disposed of in an environmentally correct manner.

If disposed incorrectly, waste electrical and electronic equipment may have harmful effects on the environment and human health, due to the potential presence of hazardous substances.

Only for United Kingdom:

According to The Waste Electrical and Electronic Equipment Regulations 2013 (SI 2013/3113) (as amended) and the Waste Batteries and Accumulators Regulations 2009 (SI 2009/890) (as amended), products that are no longer usable must be collected separately and disposed of in an environmentally friendly manner.


The reprinting or reproduction by any other means, in whole or in part, of documentation and papers accompanying products is permitted only with the express consent of the Einhell Germany AG.

Subject to technical changes



Service information

We have competent service partners in all countries named on the guarantee certificate whose contact details can also be found on the guarantee certificate. These partners will help you with all service requests such as repairs, spare and wearing part orders or the purchase of consumables.

Please note that the following parts of this product are subject to normal or natural wear and that the following parts are therefore also required for use as consumables. 

Category	Example
Wear parts*	Battery
Consumables*	Grease cartridge, hose bag
Missing parts	

* Not necessarily included in the scope of delivery!

In the effect of defects or faults, please register the problem on the internet at www.Einhell-Service.com. Please ensure that you provide a precise description of the problem and answer the following questions in all cases:

- Did the equipment work at all or was it defective from the beginning?
- Did you notice anything (symptom or defect) prior to the failure?
- What malfunction does the equipment have in your opinion (main symptom)? Describe this malfunction.

