



TP-BR 18/32 Li BL

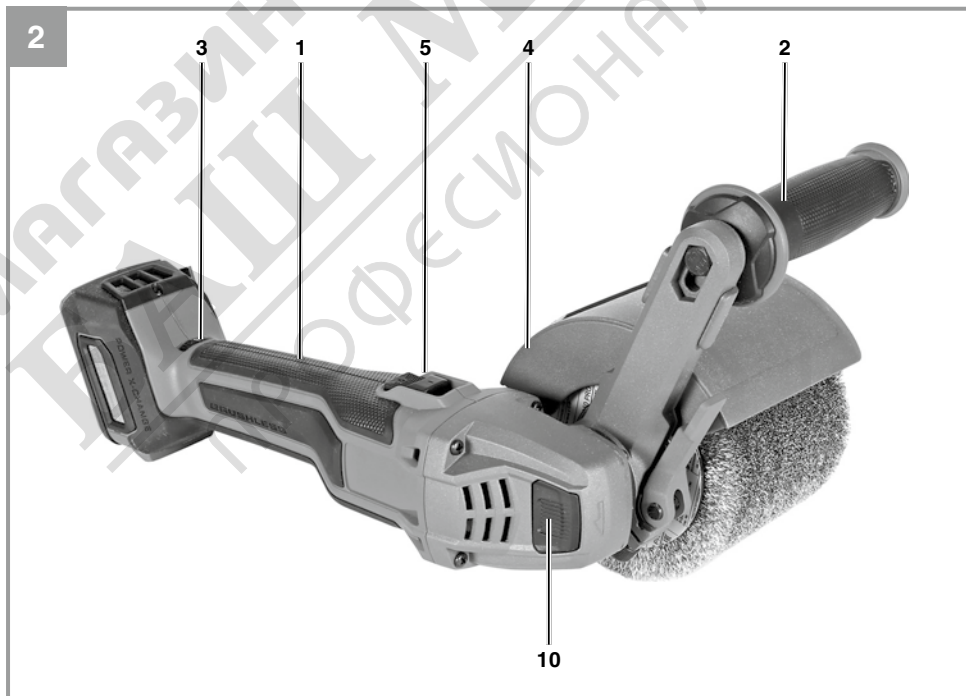
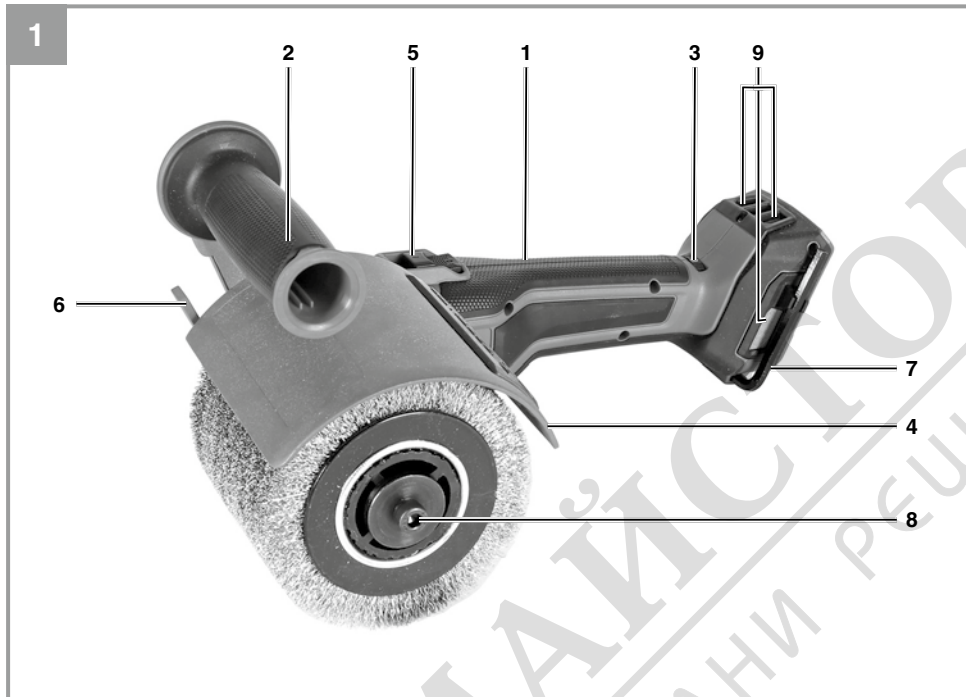
D	Originalbetriebsanleitung Akku-Bürstenschleifer	H	Eredeti használati utasítás Akkus-kefekorongos csiszológép
GB	Original operating instructions Cordless Sanding Roller	RO	Instrucțiuni de utilizare originale Șlefuitor cu perie cu acumulator
F	Instructions d'origine Ponceuse à brosse sans fil	GR	Πρωτότυπες Οδηγίες χρήσης Λειαντήρας μπαταρίας
I	Istruzioni per l'uso originali Levigatrice a rullo a batteria	P	Manual de instruções original Lixadora de escovas sem fio
DK/ N	Original betjeningsvejledning Akku-børsteslibemaskine	HR/ BIH	Originalne upute za uporabu Baterijska četkasta brusilica
S	Original-bruksanvisning Batteridrivnen borstslip	RS	Originalna uputstva za upotrebu Akumulatorska četkasta brusilica
CZ	Originální návod k obsluze Akumulátorová kartáčová bruska	PL	Instrukcją oryginalną Akumulatorowa szlifierka szczotkowa
SK	Originálny návod na obsluhu Akumulátorová kefová bruska	TR	Orijinal Kullanma Talimatı Akülü fırça taşlama
NL	Originele handleiding Accu-borstelschuurmachine	RUS	Оригинальное руководство по эксплуатации Аккумуляторная щеточная шлифовальная машина
E	Manual de instrucciones original Lijadora de cepillo inalámbrica	EE	Originaalkasutusjuhend Akuga harilihvija
FIN	Alkuperäiskäyttöohje Akku-harjahiomakone		
SLO	Originalna navodila za uporabo Akumulatorski krtačni brusilnik		

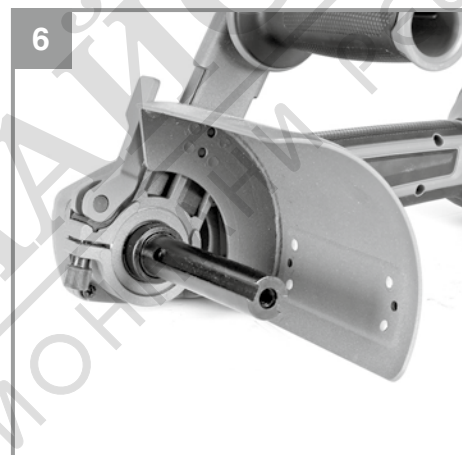
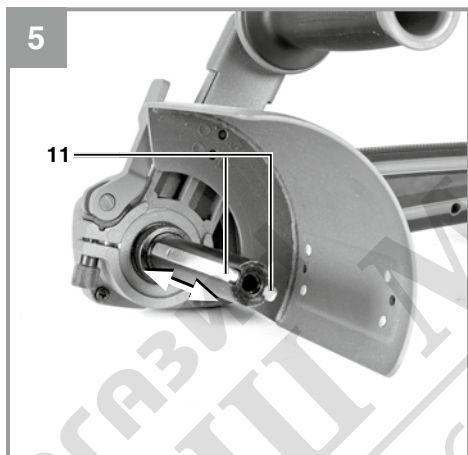
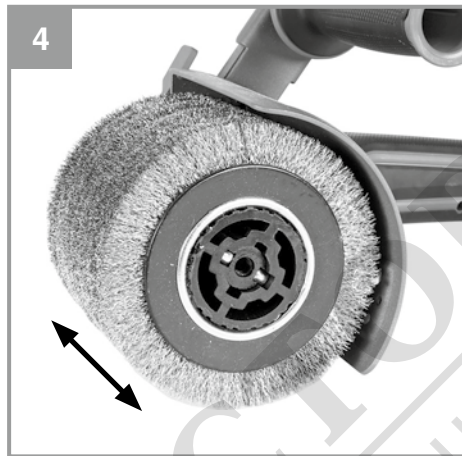
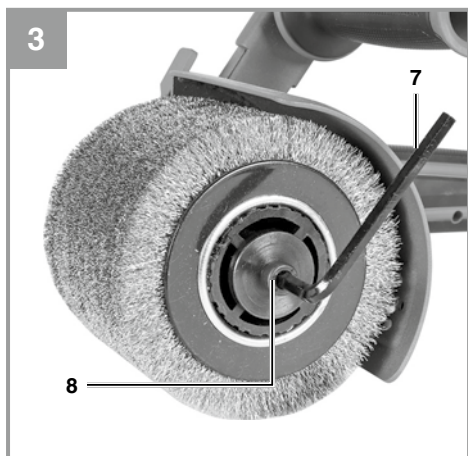
13

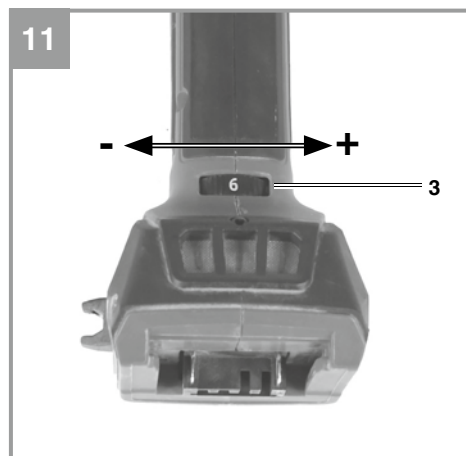
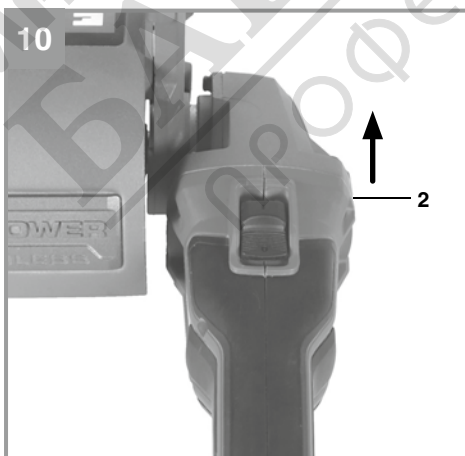
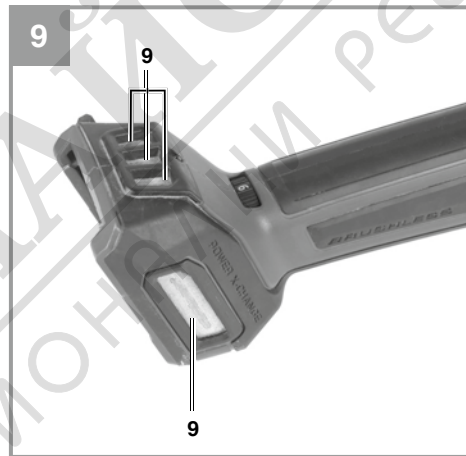
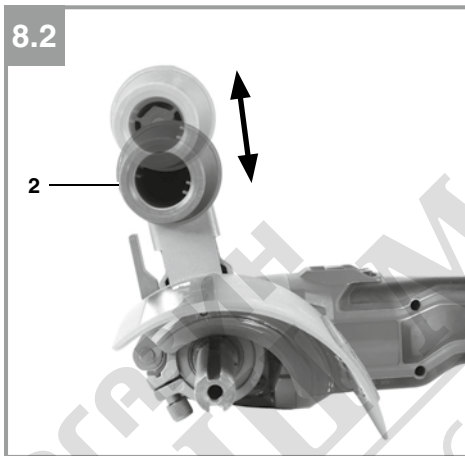
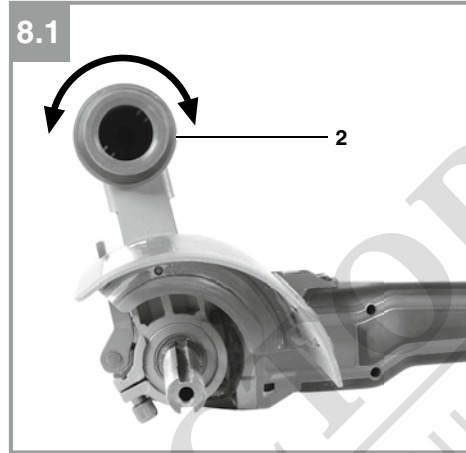


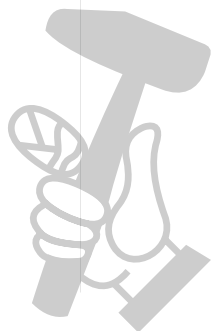
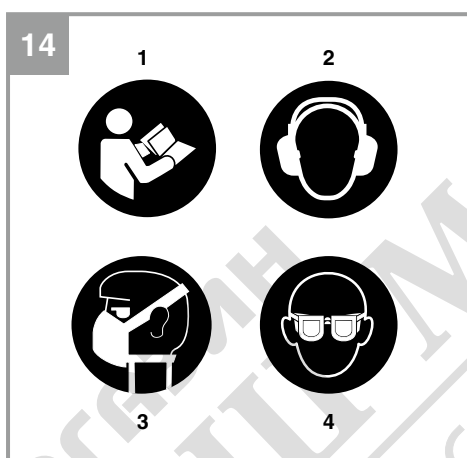
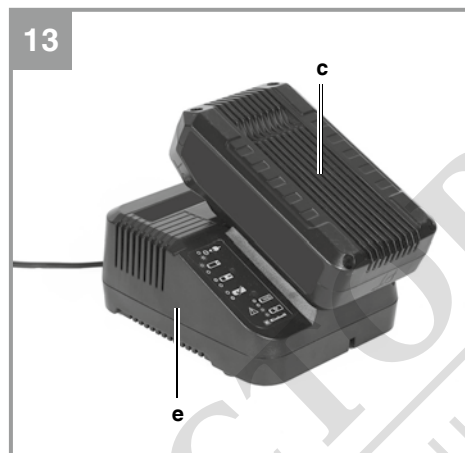
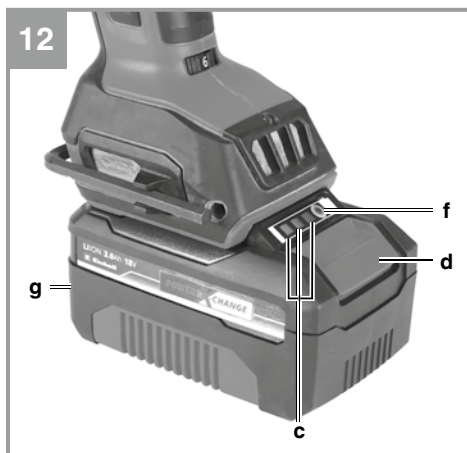
Art.-Nr.: 44.680.00

I.-Nr.: 21013









**Danger!**

When using the equipment, a few safety precautions must be observed to avoid injuries and damage. Please read the complete operating instructions and safety regulations with due care. Keep this manual in a safe place, so that the information is available at all times. If you give the equipment to any other person, hand over these operating instructions and safety regulations as well. We cannot accept any liability for damage or accidents which arise due to a failure to follow these instructions and the safety instructions.

**Explanation of the symbols used (see Fig. 14)**

1. **Danger!** - Read the operating instructions to reduce the risk of injury.
2. **Caution! Wear ear-muffs.** The impact of noise can cause damage to hearing.
3. **Caution! Wear a breathing mask.** Dust which is injurious to health can be generated when working on wood and other materials. Never use the device to work on any materials containing asbestos!
4. **Caution! Wear safety goggles.** Sparks generated during working or splinters, chips and dust emitted by the device can cause loss of sight.

**1. Safety regulations**

The corresponding safety information can be found in the enclosed booklet.

**Warning!**

**Read all the safety information, instructions, illustrations and technical data provided on or with this power tool.** Failure to adhere to the following instructions may result in electric shock, fire and/or serious injury.

**Keep all the safety information and instructions in a safe place for future use.**

**2. Layout and items supplied****2.1 Layout (Fig. 1-6)**

1. Handle
2. Additional handle
3. Speed adjustment wheel
4. Protective cover
5. On/Off switch
6. Tensioning lever for protective cover
7. Hexagon key
8. Mounting screw

9. Dust protection
10. Spindle lock
11. Feather keys

**2.2 Items supplied**

Please check that the article is complete as specified in the scope of delivery. If parts are missing, please contact our service center or the sales outlet where you made your purchase at the latest within 5 working days after purchasing the product and upon presentation of a valid bill of purchase. Also, refer to the warranty table in the service information at the end of the operating instructions.

- Open the packaging and take out the equipment with care.
- Remove the packaging material and any packaging and/or transportation braces (if available).
- Check to see if all items are supplied.
- Inspect the equipment and accessories for transport damage.
- If possible, please keep the packaging until the end of the guarantee period.

**Danger!**

**The equipment and packaging material are not toys. Do not let children play with plastic bags, foils or small parts. There is a danger of swallowing or suffocating!**

- Cordless sanding roller
- Original operating instructions
- Safety instructions

**3. Proper use**

The cordless sanding roller is designed for grinding/sanding wood, iron, plastic and similar materials using the appropriate grinding/sanding belt.

The equipment is to be used only for its prescribed purpose. Any other use is deemed to be a case of misuse. The user / operator and not the manufacturer will be liable for any damage or injuries of any kind caused as a result of this.

#### 4. Technical data

Motor power supply: ..... 18 V DC  
 Speed: ..... 900-3200 m/min  
 Weight: ..... 2.3 kg

##### Danger!

##### Sound and vibration

Sound and vibration values were measured in accordance with EN 62841.

$L_{pA}$  sound pressure level ..... 76 dB(A)  
 $K_{pA}$  uncertainty ..... 3 dB  
 $L_{WA}$  sound power level ..... 84 dB(A)  
 $K_{WA}$  uncertainty ..... 3 dB

##### Wear ear-muffs.

The impact of noise can cause damage to hearing.

Total vibration values (vector sum of three directions) determined in accordance with EN 62841.

##### Handle

Vibration emission value  $a_n = 4.48 \text{ m/s}^2$   
 $K$  uncertainty =  $1.5 \text{ m/s}^2$

The stated vibration emission levels and stated noise emission values were measured in accordance with a set of standardized criteria and can be used to compare one power tool with another.

The stated vibration emission levels and stated noise emission values can also be used to make an initial assessment of exposure.

##### Warning:

The vibration and noise emission levels may vary from the level specified during actual use, depending on the way in which the power tool is used, especially the type of workpiece it is used for.

##### Keep the noise emissions and vibrations to a minimum.

- Only use appliances which are in perfect working order.
- Service and clean the appliance regularly.
- Adapt your working style to suit the appliance.
- Do not overload the appliance.
- Have the appliance serviced whenever necessary.
- Switch the appliance off when it is not in use.

##### Limit the operating time.

All stages of the operating cycle must be considered (for example, times in which the electric tools are switched off and times in which the tool is switched on but operates without load).

##### Caution!

##### Residual risks

**Even if you use this electric power tool in accordance with instructions, certain residual risks cannot be ruled out. The following hazards may arise in connection with the equipment's construction and layout:**

1. Lung damage if no suitable protective dust mask is used.
2. Damage to hearing if no suitable ear protection is used.
3. Health damage caused by hand-arm vibrations if the equipment is used over a prolonged period or is not properly guided and maintained.

#### 5. Before starting the equipment

##### Warning!

Always remove the battery pack before making adjustments to the equipment.

##### 5.1 Changing brushes (Fig. 3-6/Item 7/8/11)

- The included Hexagon key (7) is required to change the brushes.
- Pull out the Hexagon key (7).
- Press and hold the spindle lock (10).
- Now open the fastening screw (8) with the Hexagon key (7)
- Pull the worn brush from the shaft.
- The two feather keys (11) are magnetically held in place and can be simply slid out as needed (Fig. 5). This may be necessary for cleaning, for example, or when using brushes with an integrated mount.
- When using brushes that do not have an integrated mount, the two feather keys must be reinserted as shown in Fig. 5.
- Now push the new brush onto the shaft.
- Screw the fastening screw (8) back in and tighten it.

### 5.2 Adjusting the position of the protective cover and additional handle (Fig. 7 / Items 2+4)

- The position of the additional handle (2) and protective cover (4) can be adjusted as required.
- To do this, loosen the tensioning lever for the protective cover (6).
- The protective cover (4) can now be adjusted as shown in Figures 4-6.
- Close the clamping lever for the protective cover (6) again.
- Check that the protective cover is firmly seated.

### 5.3 Adjusting the height of the protective cover and additional handle (Fig. 8 / Items 2+4)

- For the different brushes available, it may be necessary to adjust the distance of the protective cover (4) accordingly.
- To do this, turn the additional handle (2) counterclockwise (Figure 8.1)
- The additional handle (2) can now be pushed up and down.
- Determine the appropriate distance from the brush and tighten the additional handle again by turning it clockwise.

### 5.4 Dust protection grille (Fig. 9 / Item 9)

The device is equipped with a removable dust cover to protect the motor from excessive dust. To clean, take the dust cover (9), clean it with compressed air and reinstall it on the device.

## 6. Starting up

### 6.1 Switching on (Figure 10 / Item 5)

To switch on, push the on/off switch (5) forward and press it down. To switch off the angle grinder, press down the on/off switch (5) at the rear. The on/off switch (5) returns to its original position

### 6.2 Setting the speed (Fig. 11/Item 3)

You can select the speed by turning the setting knob (3).

#### PLUS direction:

Increase speed

#### MINUS direction:

Reduce speed

### 6.3 Charging the Li battery pack (Fig. 12)

1. Remove the battery pack (c) from the handle, pressing the pushlock button (d) downwards to do so.
2. Check that your mains voltage is the same as that marked on the rating plate of the battery charger. Insert the power plug of the charger (e) into the mains socket outlet. The green LED will then begin to flash.
3. Push the battery pack onto the battery charger.

In section 10 (Charger indicator) you will find a table with an explanation of the LED indicator on the charger.

If the battery pack fails to charge, check for the following:

- voltage at the power socket
- whether there is good contact at the charging contacts of the charging unit

If the battery pack still fails to charge, send

- the charger and charging adapter
- and the battery pack

to our customer service center.

**To ensure that items are properly packaged and delivered when you send them to us, please contact our customer service or the point of sale at which the equipment was purchased.**

**When shipping or disposing of batteries and cordless tools, always ensure that they are packed individually in plastic bags to prevent short circuits and fires.**

To ensure that the battery pack provides long service, you should take care to recharge it promptly. You must recharge the battery pack when you notice that the performance of the device drops. Never allow the battery pack to become fully discharged. This will cause it to develop a defect.

### 6.4 Battery capacity indicator (Fig. 12/Item g)

Press the battery capacity indicator switch (f). The battery capacity indicator (g) shows the charge status of the battery using 3 LEDs.

#### All 3 LEDs are lit:

The battery is fully charged.

#### 2 or 1 LED(s) are lit:

The battery has an adequate remaining charge.

**1 LED blinks:**

The battery is empty, recharge the battery.

**All LEDs blink:**

The battery temperature is too low. Remove the battery from the equipment, keep it at room temperature for one day. If the fault reoccurs, this means that the rechargeable battery has undergone exhaustive discharge and is defective. Remove the battery from the equipment. Never use or charge a defective battery.

**6.5 Instructions for use**

**Warning!** The workpiece you want to grind or sand must never be held in your hand. Secure the workpiece on a sturdy surface or with a vise.

- Allow the cordless sanding roller to start running before you place it on the workpiece.
- Do not switch off the cordless sanding roller while it is still touching the workpiece.
- Always hold the cordless sanding roller with both hands while it is running.
- Always grind or sand wooden workpieces in the direction of the grain.

**7. Cleaning, maintenance and ordering of spare parts****Hazard!**

Always pull out the battery pack before starting any cleaning work.

**7.1 Cleaning**

- Keep all safety devices, air vents and the motor housing free of dirt and dust as far as possible. Wipe the equipment with a clean cloth or blow it with compressed air at low pressure.
- We recommend that you clean the device immediately each time you have finished using it.
- Clean the equipment regularly with a moist cloth and some soft soap. Do not use cleaning agents or solvents; these could attack the plastic parts of the equipment. Ensure that no water can seep into the device. The ingress of water into an electric tool increases the risk of an electric shock.

**7.2 Maintenance**

There are no parts inside the equipment which require additional maintenance.

**7.3 Ordering spare parts and accessories**

Please provide the following information when ordering spare parts:

- Type of unit
- Article number of the unit
- ID number of the unit
- Spare part number of the required spare part

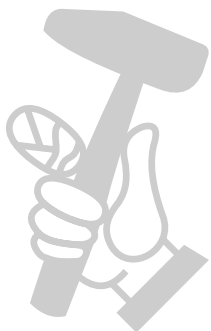
For our latest prices and information please go to [www.Einhell-Service.com](http://www.Einhell-Service.com)

**8. Disposal and recycling**

The equipment is supplied in packaging to prevent it from being damaged in transit. The raw materials in this packaging can be reused or recycled. The equipment and its accessories are made of various types of material, such as metal and plastic. Never place defective equipment in your household refuse. The equipment should be taken to a suitable collection center for proper disposal. If you do not know the whereabouts of such a collection point, you should ask in your local council offices.

**9. Storage**

Store the equipment and accessories in a dark and dry place at above freezing temperature. The ideal storage temperature is between 5 and 30 °C. Store the electric tool in its original packaging.



## 10. Charger indicator

Indicator status		Explanations and actions
Red LED	Green LED	
Off	Flashing	<p><b>Ready for use</b> The charger is connected to the mains and is ready for use; there is no battery pack in the charger</p>
On	Off	<p><b>Charging</b> The charger is charging the battery pack in quick charge mode. The charging times are shown directly on the charger. Important! The actual charging times may vary slightly from the stated charging times depending on the existing battery charge.</p>
Off	On	<p><b>The battery is charged and ready for use. (READY TO GO)</b> The unit then changes over to gentle charging mode until the battery is fully charged. To do this, leave the rechargeable battery on the charger for approx. 15 minutes longer. <b>Action:</b> Take the battery pack out of the charger. Disconnect the charger from the mains supply.</p>
Flashing	Off	<p><b>Adapted charging</b> The charger is in gentle charging mode. For safety reasons the charging is performed less quickly and takes more time. The reasons can be: - The rechargeable battery has not been used for a very long time. - The battery temperature is outside the ideal range. <b>Action:</b> Wait for the charging to be completed; you can still continue to charge the battery pack.</p>
Flashing	Flashing	<p><b>Fault</b> Charging is no longer possible. The battery pack is defective. <b>Action:</b> Never charge a defective battery pack. Take the battery pack out of the charger.</p>
On	On	<p><b>Temperature fault</b> The battery pack is too hot (e.g. due to direct sunshine) or too cold (below 0° C). <b>Action:</b> Remove the battery pack and keep it at room temperature (approx. 20° C) for one day .</p>

**Disposal**

Power tools, rechargeable batteries, accessories and packaging should be sorted for environmental-friendly recycling.

Do not dispose of power tools and batteries/rechargeable batteries into household waste!

**Only for EU countries:**

According to the Directive 2012/19/EU on waste electrical and electronic equipment and its transposition into national law, power tools that are no longer usable, and, according to the Directive 2006/66/EC, defective or drained batteries must be collected separately and disposed of in an environmentally correct manner.

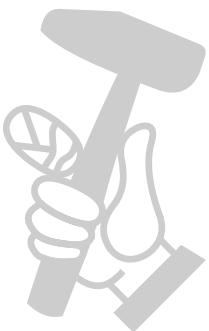
If disposed incorrectly, waste electrical and electronic equipment may have harmful effects on the environment and human health, due to the potential presence of hazardous substances.

**Only for United Kingdom:**

According to The Waste Electrical and Electronic Equipment Regulations 2013 (SI 2013/3113) (as amended) and the Waste Batteries and Accumulators Regulations 2009 (SI 2009/890) (as amended), products that are no longer usable must be collected separately and disposed of in an environmentally friendly manner.

The reprinting or reproduction by any other means, in whole or in part, of documentation and papers accompanying products is permitted only with the express consent of the Einhell Germany AG.

Subject to technical changes



## Service information

We have competent service partners in all countries named on the guarantee certificate whose contact details can also be found on the guarantee certificate. These partners will help you with all service requests such as repairs, spare and wearing part orders or the purchase of consumables.

Please note that the following parts of this product are subject to normal or natural wear and that the following parts are therefore also required for use as consumables.

Category	Example
Wear parts*	V-belt, Carbon brushes, Battery
Consumables*	Grinding/sanding paper
Missing parts	

\* Not necessarily included in the scope of delivery!

In the effect of defects or faults, please register the problem on the internet at [www.Einhell-Service.com](http://www.Einhell-Service.com). Please ensure that you provide a precise description of the problem and answer the following questions in all cases:

- Did the equipment work at all or was it defective from the beginning?
- Did you notice anything (symptom or defect) prior to the failure?
- What malfunction does the equipment have in your opinion (main symptom)? Describe this malfunction.

