



GE-CM 36/37 Li

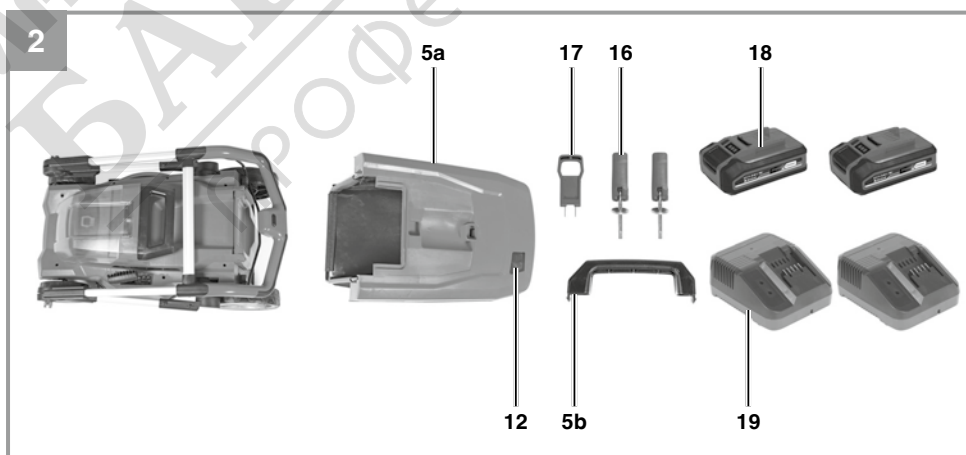
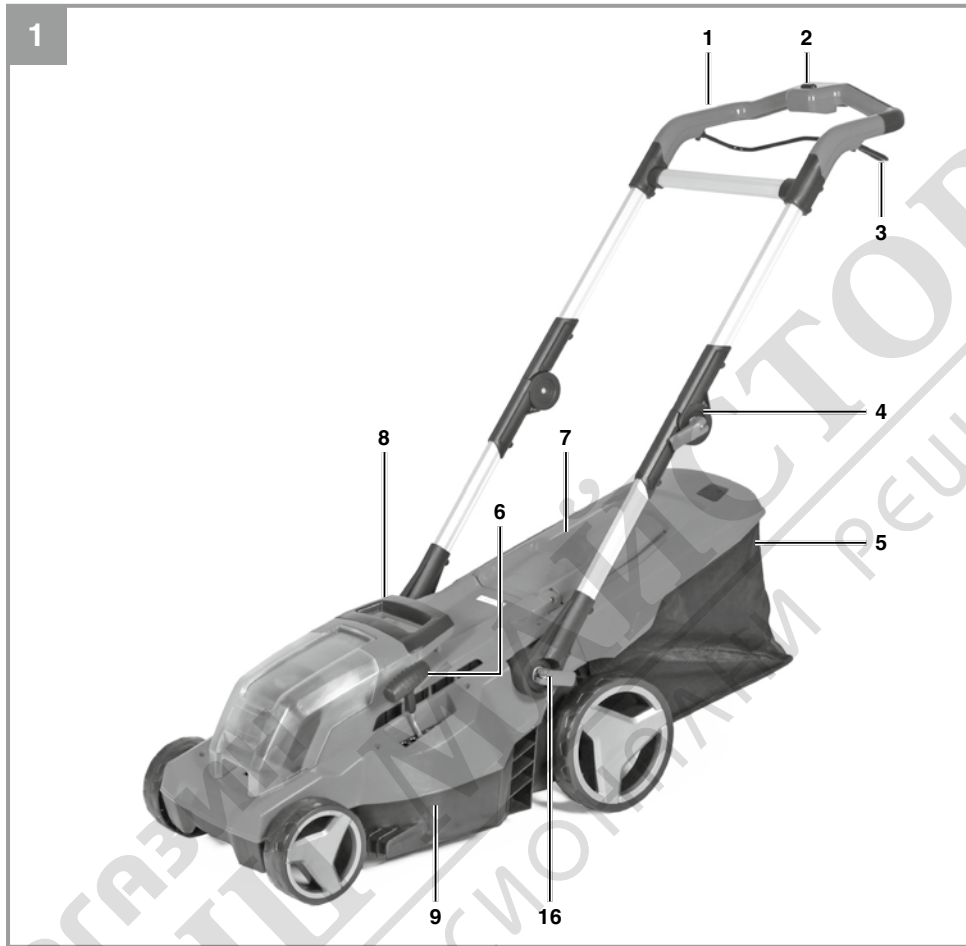
D	Originalbetriebsanleitung Akku-Rasenmäher	FIN	Alkuperäiskäyttöohje Akkukäyttöinen ruohonleikkuri
GB	Original operating instructions Cordless lawn mower	SLO	Originalna navodila za uporabo Akumulatorska kosilnica za travo
F	Instructions d'origine Tondeuse a gazon a accumulateur	H	Eredeti használati utasítás Akku-fűnyírógép
I	Istruzioni per l'uso originali Tosaerba a batteria	RO	Instrucțiuni de utilizare originale Mașină de tuns gazonul cu acumulator
DK/ N	Original betjeningsvejledning Akku-græsslåmaskine	GR	Πρωτότυπες Οδηγίες χρήσης Χλοκοπτικό με μπαταρία
S	Original-bruksanvisning Batteridrivnen gräsklippare	P	Manual de instruções original Corta-relvas sem fio
CZ	Originální návod k obsluze Akumulátorová sekačka	HR/ BIH	Originalne upute za uporabu Akumulatorska kosilica za travu
SK	Originálny návod na obsluhu Akumulátorová kosačka	RS	Originalna uputstva za upotrebu Akumulatorska kosilica za travu
NL	Originele handleiding Accugazonmaaier	PL	Instrukcją oryginalną Akumulatorowa kosiarka do trawy
E	Manual de instrucciones original Cortacésped a batería	TR	Orijinal Kullanma Talimatı Akülü çim biçme makinesi

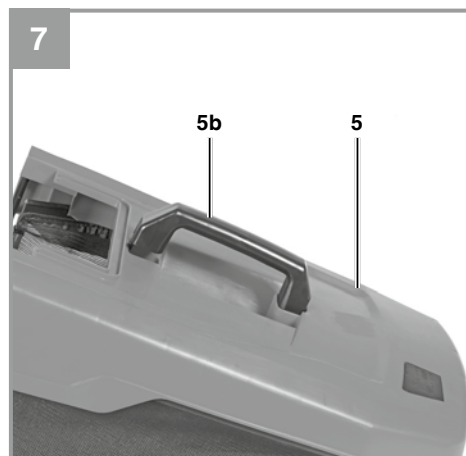
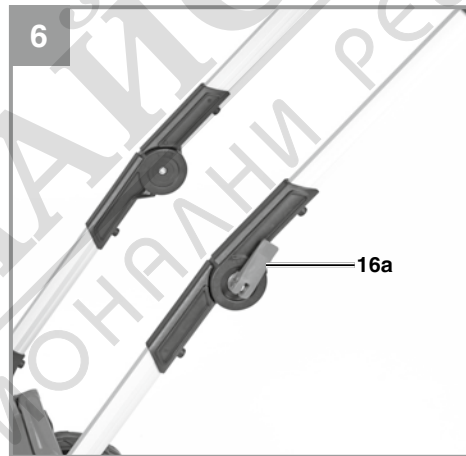
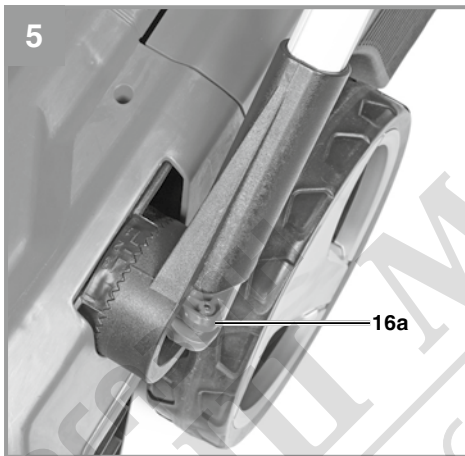
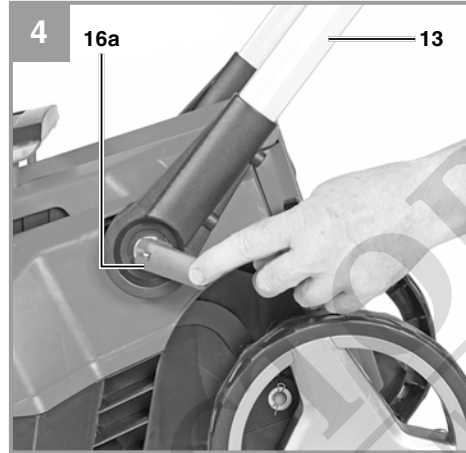
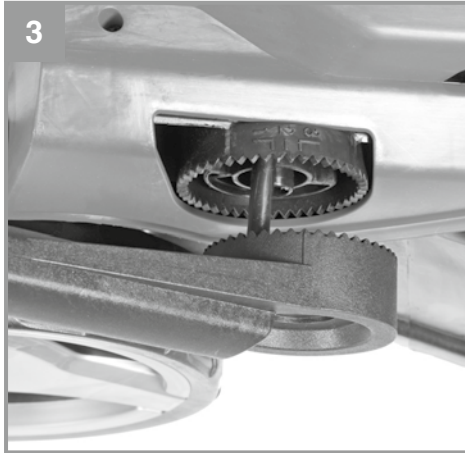
13

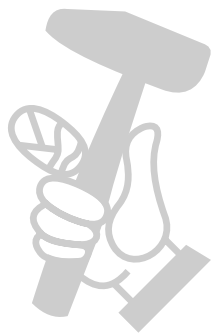
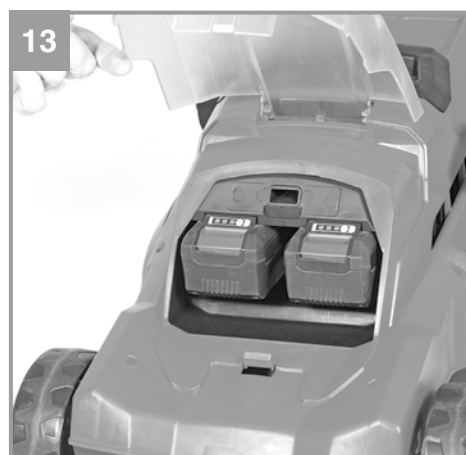
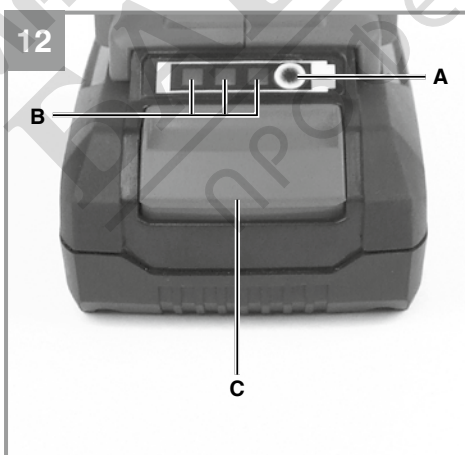
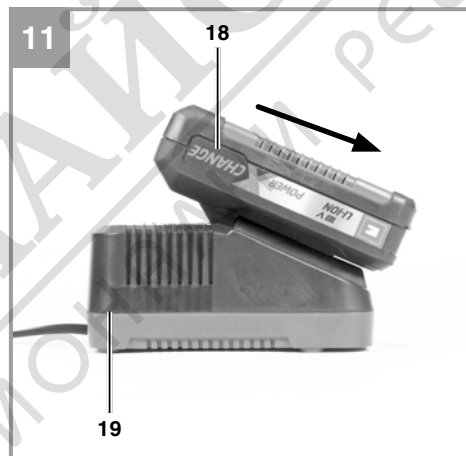
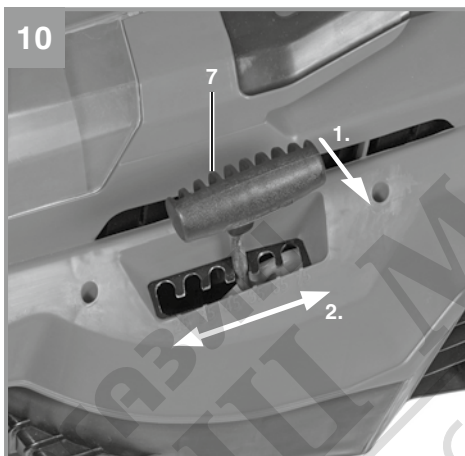
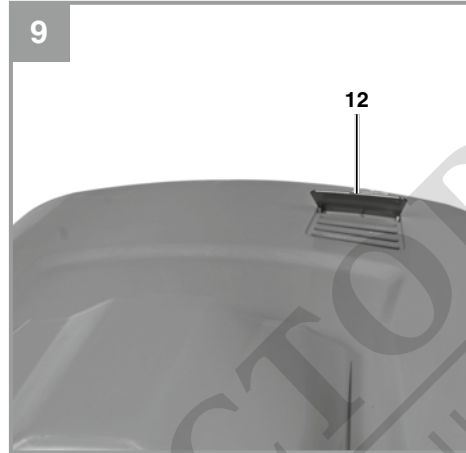
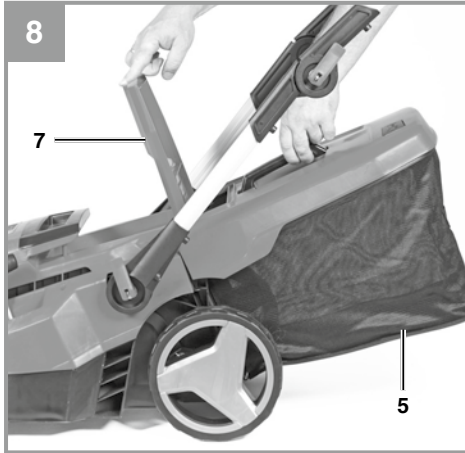


Art.-Nr.: 34.131.72

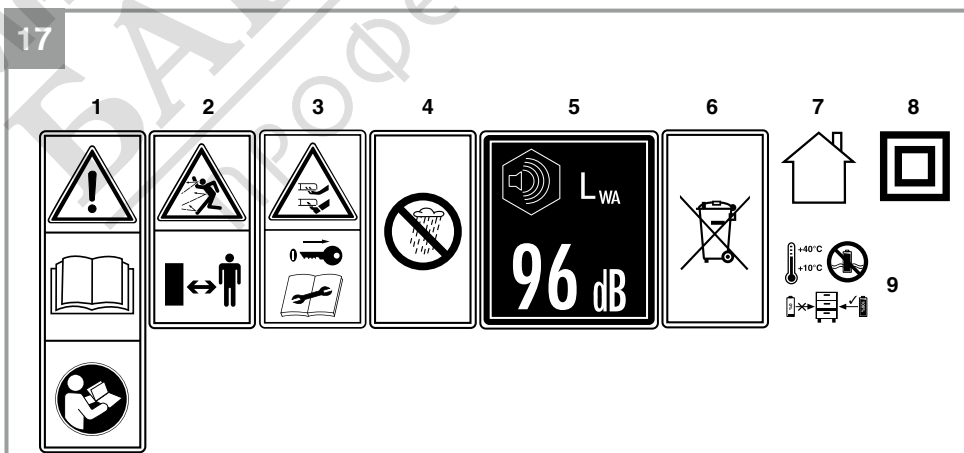
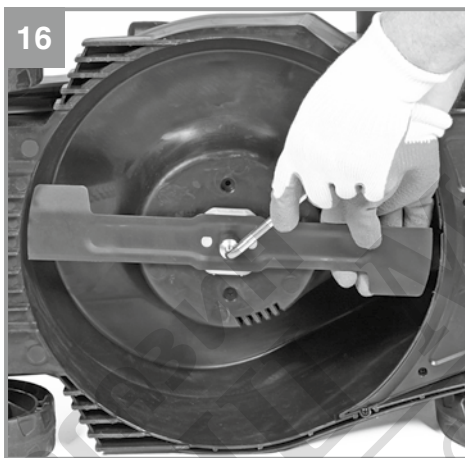
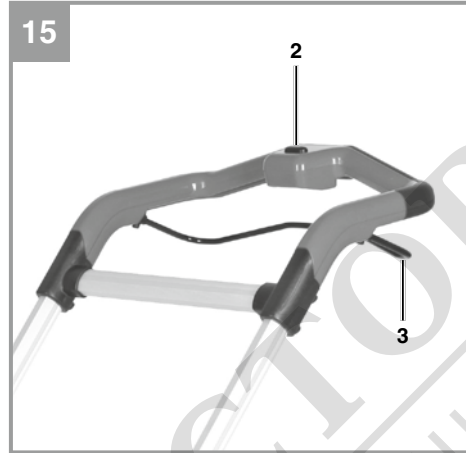
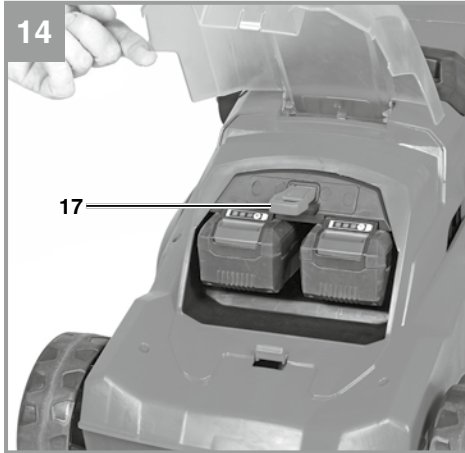
I.-Nr.: 21034







МАРБЛЮМ ПРОВОДИТ РАБОТЫ ПО РЕШЕНИЮ ПРОБЛЕМ



Danger!

When using the equipment, a few safety precautions must be observed to avoid injuries and damage. Please read the complete operating instructions and safety regulations with due care. Keep this manual in a safe place, so that the information is available at all times. If you give the equipment to any other person, hand over these operating instructions and safety regulations as well. We cannot accept any liability for damage or accidents which arise due to a failure to follow these instructions and the safety instructions.

Explanation of the symbols used (see Fig. 17)

1. Read the directions for use before operating the equipment.
2. Keep your distance!
3. **Caution:** Sharp blades! Pull out the safety plug before carrying out any repair work or if the power cable is damaged. The blades will continue to rotate after the motor is switched off.
4. Protect the equipment from rain and damp conditions
5. Guaranteed sound power level
6. Dispose of batteries correctly
7. For use in dry rooms only
8. Safety class II
9. Store the battery only in dry rooms with an ambient temperature of +10°C to +40°C. Place only charged batteries in storage (charged at least 40%).

1. Safety regulations

The corresponding safety information can be found in the enclosed booklet.

Warning!

Read all the safety information, instructions, illustrations and technical data provided on or with this power tool. Failure to adhere to the following instructions may result in electric shock, fire and/or serious injury.

Keep all the safety information and instructions in a safe place for future use.

Children are not allowed to use this equipment. Children are not allowed to carry out cleaning or maintenance. This equipment can be used by people with limited physical, sensory or mental capacities or those with no experience and knowledge if they are supervised or have received instruction in how to use the equipment safely

and understand the dangers which result from such use. Children are not allowed to play with the equipment.

2. Layout and items supplied**2.1 Layout (Fig. 1/2)**

1. Upper push bar
2. Safety lock-off
3. Switching bar
4. Joint
5. Catch basket
- 5a. Grass catch basket, without carry-handle
- 5b. Grass catch basket, carry-handle
6. Central cutting height adjustment facility
7. Ejector flap
8. Carry-handle
9. Cutting tool cover
12. Fill level indicator
16. Quick-tightening screws
17. Safety plug
18. Rechargeable battery (not included in delivery)
19. Battery charger (not included in delivery)

2.2 Items supplied and unpacking (Fig. 2)

Please check that the article is complete as specified in the scope of delivery. If parts are missing, please contact our service center or the sales outlet where you made your purchase at the latest within 5 working days after purchasing the product and upon presentation of a valid bill of purchase. Also, refer to the warranty table in the service information at the end of the operating instructions.

- Open the packaging and take out the equipment with care.
- Remove the packaging material and any packaging and/or transportation braces (if available).
- Check to see if all items are supplied.
- Inspect the equipment and accessories for transport damage.
- If possible, please keep the packaging until the end of the guarantee period.

Danger!

The equipment and packaging material are not toys. Do not let children play with plastic bags, foils or small parts. There is a danger of swallowing or suffocating!

Items supplied

- Cordless lawn mower
- Original operating instructions
- Safety information

3. Proper use

The lawn mower is intended for private use i.e. for use in home and gardening environments.

Private use of the lawn mower refers an annual operating time generally not exceeding that of 50 hours, during which time the equipment is primarily used to maintain small-scale, residential lawns and home/hobby gardens. Public facilities, sporting halls, and agricultural/forestry applications are excluded.

Important. Due to the high risk of bodily injury to the user, the lawn mower may not be used to trim bushes, hedges or shrubs, to cut scaling vegetation, planted roofs, or balcony-grown grass, to clean (suck up) dirt and debris off walkways, or to chop up tree or hedge clippings. Moreover, the lawn mower may not be used as a power cultivator to level out high areas such as molehills.

For safety reasons, the lawn mower may not be used as a drive unit for other work tools or toolkits of any kind, unless they have been expressly permitted by the manufacturer.

The equipment is to be used only for its prescribed purpose. Any other use is deemed to be a case of misuse. The user / operator and not the manufacturer will be liable for any damage or injuries of any kind caused as a result of this.

Please note that our equipment has not been designed for use in commercial, trade or industrial applications. Our warranty will be voided if the machine is used in commercial, trade or industrial businesses or for equivalent purposes.

4. Technical data

Voltage36 V d.c.
Motor speed3400 min ⁻¹
Protection typeIPX1
Protection classIII
Weight14.3 kg
Cutting width37 cm
Grass basket volume45 liters
Sound pressure level L_{pA}83.7 dB(A)
Uncertainty K_{pA}3 dB
Sound power level L_{WA}94.2 dB(A)
Uncertainty K_{WA}1.84 dB
Guaranteed sound power level L_{WA}96 dB(A)
Vibration at the handlebars a_h2.87 m/s ²
Uncertainty K1.5 m/s ²
Cutting height adjustment25-75 mm; 6 levels

2x Power X-Change lithium-ion batteries

Voltage18 V DC
Capacity3.0 Ah
Number of cells5

2x Power X-Charger battery charger

Input voltage200-250 V ~ 50-60 Hz
Output voltage20 V DC
Output current3.0 A
Protection classII / <input type="checkbox"/>

The lithium-ion batteries of the Power-X-Change series are allowed to be charged only with the Power-X charger.

Danger!**Sound and vibration**

Sound and vibration values were measured in accordance with EN 62841.

Wear ear-muffs.

The impact of noise can cause damage to hearing.

Total vibration values (vector sum of three directions) determined in accordance with EN 62841.

The stated vibration emission levels and stated noise emission values were measured in accordance with a set of standardized criteria and can be used to compare one power tool with another.

The stated vibration emission levels and stated noise emission values can also be used to make an initial assessment of exposure.

Warning:

The vibration and noise emission levels may vary from the level specified during actual use, depending on the way in which the power tool is used, especially the type of workpiece it is used for.

Limit the operating time!

All stages of the operating cycle must be considered (for example, times in which the electric tools are switched off and times in which the tool is switched on but operates without load).

Keep the noise emissions and vibrations to a minimum.

- Only use appliances which are in perfect working order.
- Service and clean the appliance regularly.
- Adapt your working style to suit the appliance.
- Do not overload the appliance.
- Have the appliance serviced whenever necessary.
- Switch the appliance off when it is not in use.
- Wear protective gloves.

Residual risks

Even if you use this electric power tool in accordance with the instructions, certain residual risks cannot be eliminated. The following hazards may arise in connection with the equipment's construction and layout:

1. Lung damage if no suitable protective dust mask is used.
2. Damage to hearing if no suitable ear protection is applied.

5. Before starting the equipment

The lawn mower is delivered partly assembled. The push bar and the grass basket must be assembled before using the lawn mower. Follow the instructions step by step and refer to the pictures when assembling.

Important! Required assembly parts (screws, cable guides, etc.) or functional parts (e.g. plugs, wrenches, etc.) can be found in the molded parts of the packaging or on the equipment.

The cable for the electrical connection of the motor and switching bar is located on the left-hand teeth of the handlebar adjustment facility (Fig. 3). Take care to ensure that this is not damaged during assembly.

Fitting the push bar

Use the quick-tightening screws (Fig. 2/Item 16) to fasten the push bar (Fig. 4/Item 13) to the teeth of the handlebar adjustment facility. If necessary, turn the quick-tightening screw back sufficiently on the thread so that the quick-release lever (Fig. 4/Item 16a) can then still be flipped down towards the back.

You can adjust the angle of the long handle as a whole by flipping up the two quick-release levers (Fig. 5/Item 16a), with three settings available for the angle (Fig. 5). Only these three positions are available. As you do this, make sure that both sides are set to the same position. To secure the push bar again, flip the two quick-release levers back into the closed position.

You can adjust the angle of the upper push bar (Fig. 6a) by flipping up the two upper quick-release levers (Fig. 6/Item 16a), with three settings available for the angle. As you do this, make sure that both sides are set to the same position. To secure the push bar again, flip the two quick-release levers back into the closed position.

Fitting the catch basket

Press the carry-handle (Fig. 7/Item 5b) onto the top part of the housing of the catch basket. During assembly, make sure that there is an audible click. Before you fit the catch basket you must ensure that the motor is switched off and the blade is not rotating. Ejector flap (Fig. 8/Item 7) with one hand. Using the other hand, grab onto the basket by the handle and hang it in from the top.



Filling level indicator of the grass collector

The grass collector is equipped with a filling level indicator (Fig. 9/Item 12), which is opened by the airflow that the lawn mower generates during operation. If the flap closes during mowing, the grass collecting device is full and must be emptied. To ensure the proper functioning of the filling level indicator, the holes under the flap must always be kept clean and passable.

Adjusting the cutting height**Caution!**

Adjust the cutting height only when the machine has been switched off and the safety plug has been pulled out.

The cutting height is adjusted as follows (see Fig. 10):

1. Push the lever (7) outwards.
2. Set the lever (7) to the desired cutting height.
3. Release the lever (7) and check that it is securely seated in the lock.

Reading off the cutting height

The cutting height can be set between 25-75 mm in 6 intervals, and can be read off on the scale.

Before you begin to mow, check to ensure that the blade is not blunt and that none of the fasteners are damaged. To prevent any imbalance, replace blunt and/or damaged blades. To carry out this check, first switch off the motor and pull out the safety plug.

Charging the battery (Fig. 11)

1. Take the battery pack out of the equipment. To do so, press the pushlock button (Fig. 12/Item C).
2. Check that your mains voltage is the same as that marked on the rating plate of the battery charger. Insert the power plug of the charger (19) into the socket outlet. The green LED will then begin to flash.
3. Slot the battery pack or packs (18) onto the battery charger (19).
4. In the section entitled „Charger indicator“ you will find a table with an explanation of the LED indicator on the charger.

The battery pack can become a little warm during the charging. This is normal.

If the battery pack fails to charge, check:

- whether there is voltage at the socket outlet
- whether there is good contact at the charging

contacts

If the battery pack still fails to charge, send

- the charging unit
- and the battery pack

to our customer service center.

To ensure that items are properly packaged and delivered when you send them to us, please contact our customer service or the point of sale at which the equipment was purchased.

When shipping or disposing of batteries and cordless tools, always ensure that they are packed individually in plastic bags to prevent short circuits and fires.

To ensure that the battery pack provides long service, you should take care to recharge it promptly. You must recharge the battery pack when you notice that the performance of the device drops. Never allow the battery pack to become fully discharged. This will cause it to develop a defect.

Battery capacity indicator (Fig. 12)

Press the button for the battery capacity indicator (Item A). The battery capacity indicator (Item B) shows the charge status of the battery using 3 LEDs.

All 3 LEDs are lit:

The battery is fully charged.

2 or 1 LED(s) are lit:

The battery has an adequate remaining charge.

1 LED flashes:

The battery is empty, recharge the battery.

All LEDs blink:

The battery temperature is too low. Remove the battery from the equipment, keep it at room temperature for one day. If the fault reoccurs, this means that the rechargeable battery has undergone exhaustive discharge and is defective. Remove the battery from the equipment. Never use or charge a defective battery.

Installing the battery (Fig. 13)

Open the battery cover. Then insert the batteries in the mounts as shown in Fig. 13.

Important!

The equipment's operating time depends on

the battery with the lower charge level or lower capacity (Ah). Therefore, only use rechargeable batteries which are charged to the same level and have the same capacity (Ah). Never combine full and half-full batteries or batteries with different capacities (Ah). Always charge the two batteries simultaneously before starting to use them. Close the battery cover by flipping the cover down.

6. Operation

Caution!

The lawn mower is equipped with a safety circuit to prevent unauthorized use. Directly before starting up the lawn mower insert the safety plug (Fig. 14/Item 17) and remove the safety plug again whenever you interrupt or terminate your work.

Important!

To prevent the equipment switching on accidentally, the lawn mower is equipped with a safety switch (Fig. 15/Item 2) which must be pressed before the switching bar (Fig. 15/Item 3) can be activated. The lawn mower switches itself off when the switching bar is released. The start time can amount to several seconds. Repeat this process several times so that you are sure that the machine functions properly. Before you perform any repair or maintenance work on the equipment, ensure that the blade is not rotating and that the safety plug is disconnected.

Caution! Never open the chute flap when the grass bag has been detached (to be emptied) and the motor is still running. A rotating blade can cause serious injuries!

Always carefully fasten the chute flap and grass basket. Switch off the engine before emptying the grass basket.

Always ensure that a safe distance (provided by the length of the long handles) is maintained between the user and the mower housing. Be especially careful when mowing and changing direction on slopes and inclines. Maintain a solid footing and wear sturdy, non-slip footwear and long trousers.

Always mow along the incline (not up and down). For safety reasons, the lawn mower may not be used to mow inclines whose gradient exceeds 15 degrees.

Use special caution when backing up and pulling the lawn mower. Tripping hazard!

Tips for proper mowing

It is recommended that you overlap the mowing swaths.

Only use a sharp blade that is in good condition.

This will prevent the grass blades from fraying and the lawn from turning yellow.

Try to mow in straight lines for a nice, clean look.

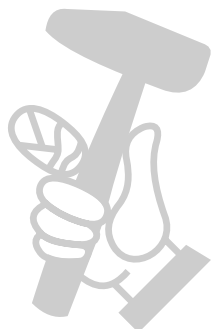
The swaths should overlap each other by a few centimeters in order to avoid stripes.

The operating time of the rechargeable batteries and therefore the area in square meters that can be covered with a single battery charge is largely dependent on the state of the grass (e.g. density, moisture, height, cutting height, etc.) and the mowing speed (walking speed). To adjust the area coverage to your individual requirements, it is recommended that you mow the lawn more often, with a higher cutting height and at an appropriate speed. Frequently turning the equipment on and off while mowing will also reduce the amount of area that you can cover. If the operating time of the rechargeable batteries (area coverage) is still unsatisfactory in spite of the above measures, you can remedy the problem by using rechargeable batteries with a larger capacity (Ah).

How frequently you should mow your lawn is determined primarily by the speed at which the grass grows. In the main growing season (May - June) you will probably need to mow the lawn twice a week, otherwise just once a week. The cutting height should be between 4 - 6cm and the amount of growth before mowing again should be 4 - 5cm. If the grass is allowed to grow somewhat longer for whatever reason, do not make the mistake of cutting it back to the normal height in one go. This will harm the lawn. Never cut it back by more than half the height in one go. Keep the underside of the mower housing clean and remove grass build-up. Deposits not only make it more difficult to start the mower; they decrease the quality of the cut and make it harder for the equipment to bag the grass.

Always mow along inclines (not up and down). You can prevent the lawn mower from slipping down by holding a position at an angle upwards.

Select the cutting height according to the length of the grass. Make several passes so that no more than 4cm of grass are cut at one time.



Switch off the motor before doing any checks on the blade. Keep in mind that the blade continues to rotate for a few seconds after the motor has been switched off. Never attempt to manually stop the blade. Regularly check to see if the blade is securely attached, is in good condition and is sharp. If the contrary is the case, sharpen the blade or replace it. In the event that the blade strikes an object, immediately switch off the lawn mower and wait for the blade to come to a complete stop. Then inspect the condition of the blade and the blade mount. Replace any parts that are damaged.

As soon as grass clippings start to trail the lawn mower, it is time to empty the grass basket.

Important! Before taking off the grass basket, switch off the motor and wait until the blade has come to a stop.

To take off the grass basket, use one hand to lift up the chute flap and the other to grab onto the basket handle. Remove the basket. For safety reasons, the chute flap automatically falls down after removing the grass basket and closes off the rear chute opening. If any grass remains in the opening, it will be easier to restart the engine if you pull the mower back approximately 1m.

Do not use your hands or feet to remove clippings in or on the mower housing, but instead use suitable tools such as a brush or a hand broom.

In order to ensure that the majority of grass clippings are picked up, the inside of the grass basket must be cleaned after each use.

Reattach the grass basket only when the motor is switched off and the blade has stopped.

Lift up the chute flap with one hand and, holding the grass basket by its handle with the other hand, hang in the basket from the top.

7. Cleaning, maintenance and ordering of spare parts

Danger!

Pull the safety plug before carrying out any cleaning work (Fig. 14).

7.1 Cleaning

- Keep all safety devices, air vents and the

motor housing free of dirt and dust as far as possible. Wipe the equipment with a clean cloth or blow it with compressed air at low pressure.

- Do not clean the lawn mower with running water, particularly with high-pressure water.
- We recommend that you clean the device immediately each time you have finished using it.
- Clean the equipment regularly with a moist cloth and some soft soap. Do not use cleaning agents or solvents; these could attack the plastic parts of the equipment. Ensure that no water can seep into the device.
- For best results, clean the lawn mower with a brush or rag.

7.2 Carbon brushes

In case of excessive sparking, have the carbon brushes checked only by a qualified electrician.

Danger! The carbon brushes should not be replaced by anyone but a qualified electrician.

7.3 Maintenance

- Worn out or damaged blades, blade mounts, and bolts should be replaced as a set by an authorized professional in order to keep the equipment in balance.
- Ensure that all mounting components (i.e. screws, bolts, nuts etc.) are always tightened so that the equipment can be safely operated at all times.
- Frequently check the grass catch assembly for signs of wear.
- Replace excessively worn or damaged parts immediately.
- In order to ensure that you enjoy the equipment for many years to come, all screwed parts, as well as the wheels and axles, should be cleaned and lubricated.
- Keeping your lawn mower in good condition not only ensures a long lifespan and high performance, but also enables the equipment to thoroughly cut your grass with minimal effort.
- The blade is subjected to more wear and tear than any other component. Therefore, routinely check the condition of the blade and make sure that it is tightly fastened. If the blade is completely worn out, it must be immediately replaced or ground sharp again. An excessively vibrating mower means that the blade is not properly balanced or has become deformed from striking an object. In this case, the blade must be repaired or replaced.
- There are no parts inside the equipment

which require additional maintenance.

7.4 Replacing the blade

For safety reasons, we recommend having the blade replaced by an authorized professional.

Important! Wear work gloves! Only replace the blade with a genuine Einhell replacement blade, as this will ensure top performance and safety under all conditions.

Carry out the following steps to change the blade:

1. Undo the fastening screw (see Fig. 16).
2. Remove the blade and replace with a new one.
3. When fitting the blade, make sure it is installed in the right direction. The blade's air vanes must project into the motor compartment (see Fig. 16). The dome mounts must be aligned with the punch holes in the blade.
4. Then retighten the fastening screw with the universal wrench. The tightening torque should be approx. 25 Nm.

At the end of the season, perform a general inspection of the lawn mower and remove any grass and dirt which may have accumulated. At the start of each season, ensure that you check the condition of the blade. If repairs are necessary, please contact our customer service center. Use only genuine spare parts.

7.5 Ordering replacement parts:

Please quote the following data when ordering replacement parts:

- Type of machine
- Article number of the machine
- Identification number of the machine
- Replacement part number of the part required

For our latest prices and information please go to www.Einhell-Service.com

Spare blade art. no.: 34.054.86

8. Storage and transport

Remove the rechargeable battery/batteries.

Storage

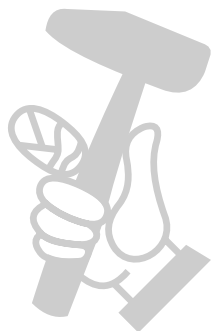
Store the equipment and accessories out of children's reach in a dark and dry place at above freezing temperature. The ideal storage temperature is between 5 and 30 °C. Store the machine in its original packaging.

Transport

- Switch the machine off and isolate it from the power supply before transporting it.
- Fit the shipping protectors, if any.
- For easier transport (or storage), open the quick-release lever (Fig. 5 and 6 / Item 16a). When necessary, turn it back again far enough to allow the push bars to be flipped together at this point. Take care not to damage the cable on the left-hand teeth of the handlebar adjustment facility.
- Protect the machine from damage and the strong vibrations that can occur particularly when transporting in vehicles.
- Secure the machine against slipping and tipping over.

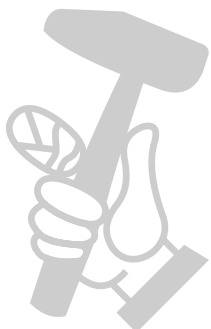
9. Disposal and recycling

The equipment is supplied in packaging to prevent it from being damaged in transit. The raw materials in this packaging can be reused or recycled. The equipment and its accessories are made of various types of material, such as metal and plastic. Never place defective equipment in your household refuse. The equipment should be taken to a suitable collection center for proper disposal. If you do not know the whereabouts of such a collection point, you should ask in your local council offices.



10. Charger indicator

Indicator status		Explanations and actions
Red LED	Green LED	
Off	Flashing	<p>Ready for use The charger is connected to the mains and is ready for use; there is no battery pack in the charger</p>
On	Off	<p>Charging The charger is charging the battery pack in quick charge mode. The charging times are shown directly on the charger. Important! The actual charging times may vary slightly from the stated charging times depending on the existing battery charge.</p>
Off	On	<p>The battery is charged and ready for use. (READY TO GO) The unit then changes over to gentle charging mode until the battery is fully charged. To do this, leave the rechargeable battery on the charger for approx. 15 minutes longer. Action: Take the battery pack out of the charger. Disconnect the charger from the mains supply.</p>
Flashing	Off	<p>Adapted charging The charger is in gentle charging mode. For safety reasons the charging is performed less quickly and takes more time. The reasons can be: - The rechargeable battery has not been used for a very long time. - The battery temperature is outside the ideal range. Action: Wait for the charging to be completed; you can still continue to charge the battery pack.</p>
Flashing	Flashing	<p>Fault Charging is no longer possible. The battery pack is defective. Action: Never charge a defective battery pack. Take the battery pack out of the charger.</p>
On	On	<p>Temperature fault The battery pack is too hot (e.g. due to direct sunshine) or too cold (below 0° C). Action: Remove the battery pack and keep it at room temperature (approx. 20° C) for one day .</p>



11. Troubleshooting

Fault	Possible causes	Remedies
The motor fails to start	<ul style="list-style-type: none"> a) Motor terminals disconnected b) The mower is standing in high grass c) The mower housing is clogged d) Safety switch is not inserted e) Battery is not correctly inserted 	<ul style="list-style-type: none"> a) Have repaired by the Customer Service Center b) Start in low grass or on an area that has already been mowed; change the cutting height if necessary c) Clean the housing so that the blade moves freely d) Insert safety switch (see 6.) e) Remove the battery and reinsert (see 5.)
The motor performance drops	<ul style="list-style-type: none"> a) The grass is too high or too damp b) The mower housing is clogged c) The blade is severely worn d) Battery performance decreasing 	<ul style="list-style-type: none"> a) Correct the cutting height b) Clean the housing c) Replace the blade d) Check the battery performance and charge the battery if necessary (see 5.)
Cutting is irregular	<ul style="list-style-type: none"> a) The blade is worn b) Wrong cutting height 	<ul style="list-style-type: none"> a) Replace or sharpen the blade b) Correct the cutting height
Motor stops suddenly	<ul style="list-style-type: none"> a) Battery is overloaded b) Battery is empty 	<ul style="list-style-type: none"> a) Switch the equipment off and on again. If this happens often, use a battery with higher capacity (Ah) b) Use a charged battery



Disposal

Power tools, rechargeable batteries, accessories and packaging should be sorted for environmental-friendly recycling.

Do not dispose of power tools and batteries/rechargeable batteries into household waste!

Only for EU countries:

According to the Directive 2012/19/EU on waste electrical and electronic equipment and its transposition into national law, power tools that are no longer usable, and, according to the Directive 2006/66/EC, defective or drained batteries must be collected separately and disposed of in an environmentally correct manner.

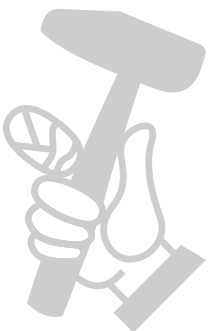
If disposed incorrectly, waste electrical and electronic equipment may have harmful effects on the environment and human health, due to the potential presence of hazardous substances.

Only for United Kingdom:

According to The Waste Electrical and Electronic Equipment Regulations 2013 (SI 2013/3113) (as amended) and the Waste Batteries and Accumulators Regulations 2009 (SI 2009/890) (as amended), products that are no longer usable must be collected separately and disposed of in an environmentally friendly manner.

The reprinting or reproduction by any other means, in whole or in part, of documentation and papers accompanying products is permitted only with the express consent of the Einhell Germany AG.

Subject to technical changes



Service information

We have competent service partners in all countries named on the guarantee certificate whose contact details can also be found on the guarantee certificate. These partners will help you with all service requests such as repairs, spare and wearing part orders or the purchase of consumables.

Please note that the following parts of this product are subject to normal or natural wear and that the following parts are therefore also required for use as consumables.

Category	Example
Wear parts*	Carbon brushes, Battery
Consumables*	Blade
Missing parts	

* Not necessarily included in the scope of delivery!

In the effect of defects or faults, please register the problem on the internet at www.Einhell-Service.com. Please ensure that you provide a precise description of the problem and answer the following questions in all cases:

- Did the equipment work at all or was it defective from the beginning?
- Did you notice anything (symptom or defect) prior to the failure?
- What malfunction does the equipment have in your opinion (main symptom)? Describe this malfunction.

