



GC-SC 18/28 DS Li

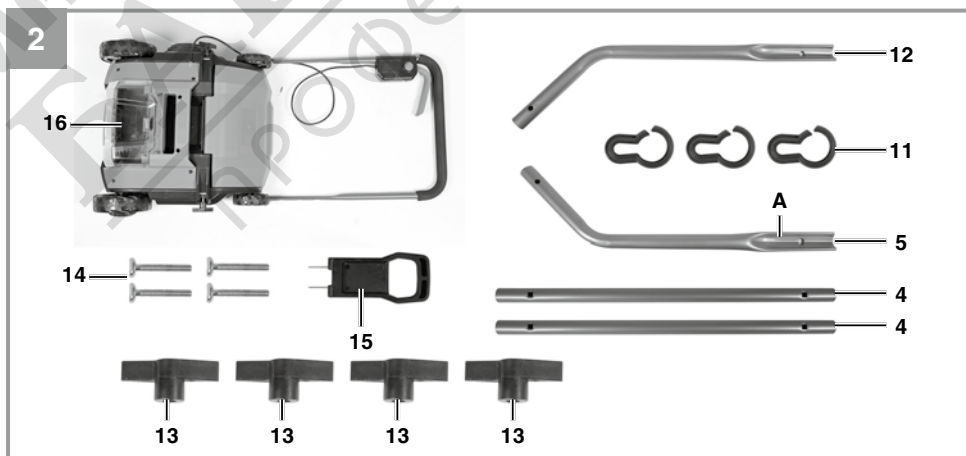
D	Originalbetriebsanleitung Akku-Vertikutierer und Rasenlüfter	FIN	Alkuperäiskäyttöohje Akkukäyttöinen möyhennin
GB	Original operating instructions Cordless Scarifier and Lawn Aerator	SLO	Originalna navodila za uporabo Akumulatorski rahljalnik
F	Instructions d'origine Scarificateur sans fil et aérateur de gazon	H	Eredeti használati utasítás Akkus-vertikulátor
I	Istruzioni per l'uso originali Scarificatore / arieggiatore a batteria	RO	Instrucțiuni de utilizare originale Afânător cu acumulator
DK/ N	Original betjeningsvejledning Akkumulatorbatteridrevet kultivator	GR	Πρωτότυπες Οδηγίες χρήσης Σκαπτικό μπαταρίας
S	Original-bruksanvisning Batteridrivnen vertikalskärare	P	Manual de instruções original Escarificador sem fio e arejador
CZ	Originální návod k obsluze Akumulátorový vertikutátor	HR/ BIH	Originalne upute za uporabu Akumulatorski kultivator
SK	Originálny návod na obsluhu Akumulátorový vertikutátor	RS	Originalna uputstva za upotrebu Akumulatorski kultivator
NL	Originele handleiding Accu-verticuteerder en gazonbeluchter	TR	Orijinal Kullanma Talimatı Akülü çim havalandırma
E	Manual de instrucciones original Escarificador de batería y aireador de césped	PL	Instrukcja oryginalną Wertykulator akumulatorowy
		RUS	Оригинальное руководство по эксплуатации Вертикуттер, работающий от аккумулятора

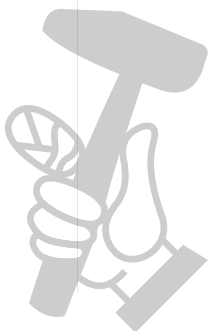
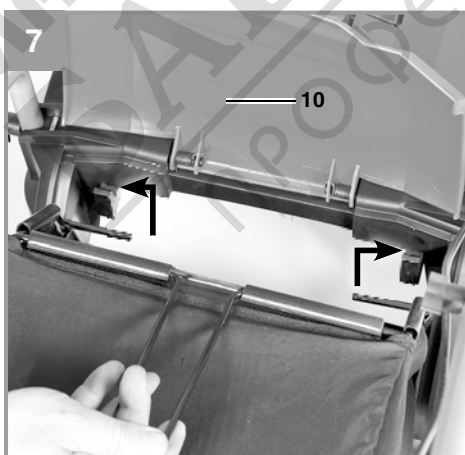
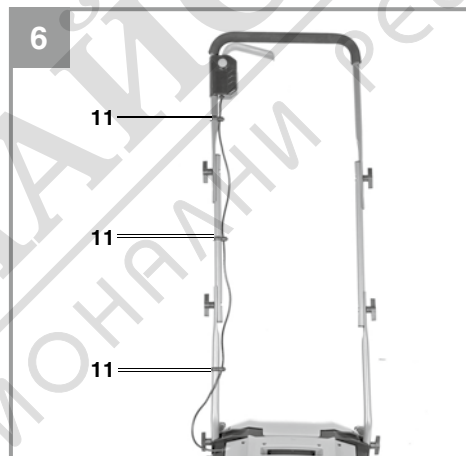
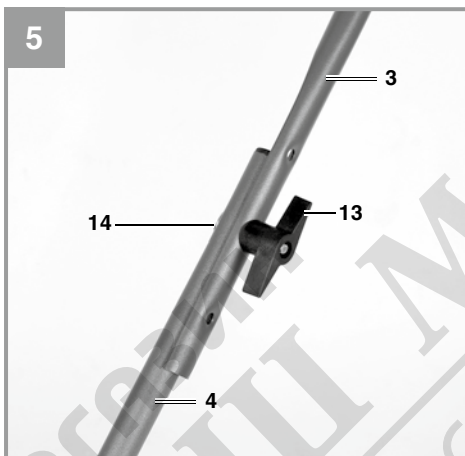
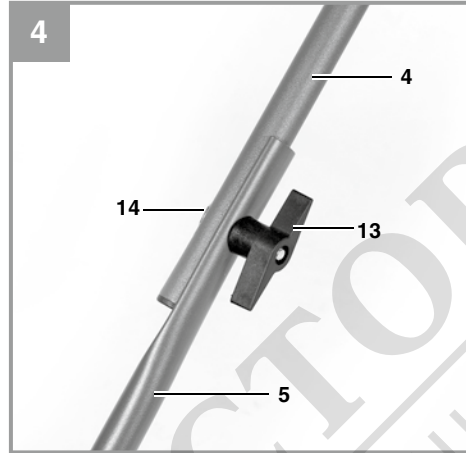
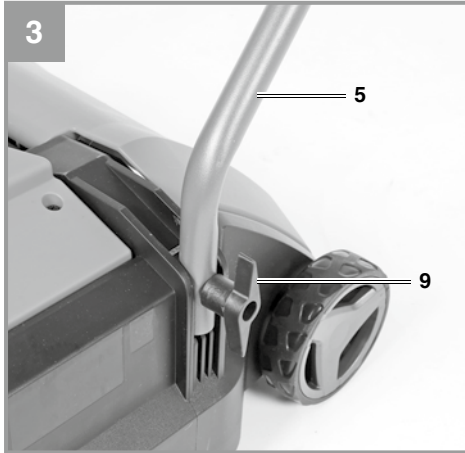
13

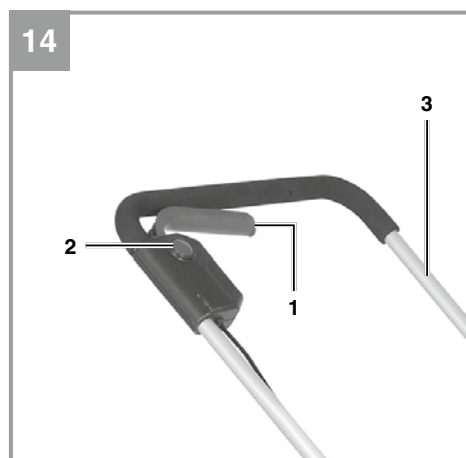
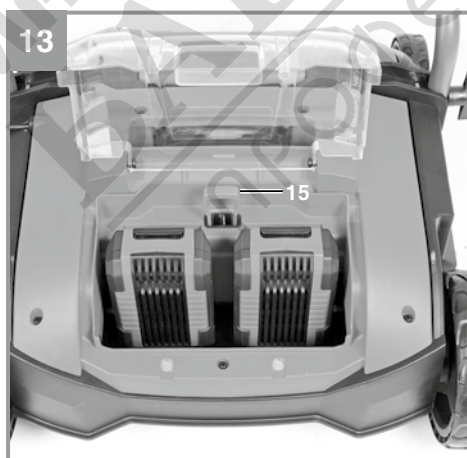
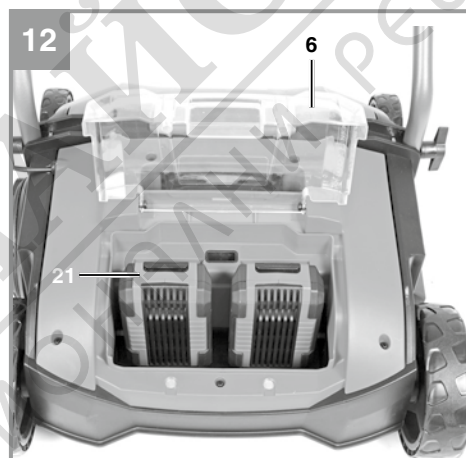
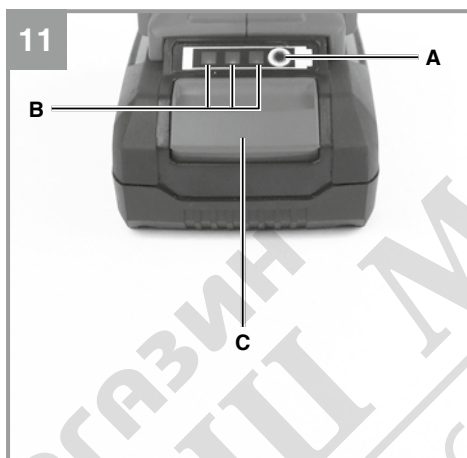
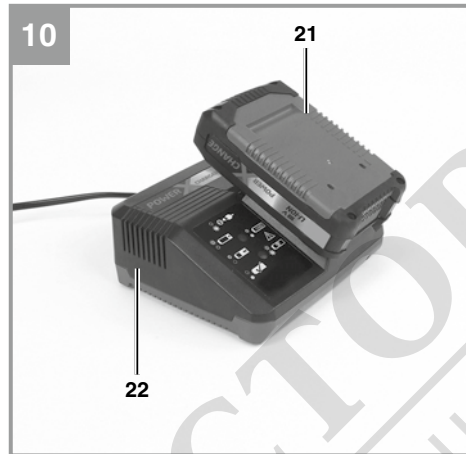
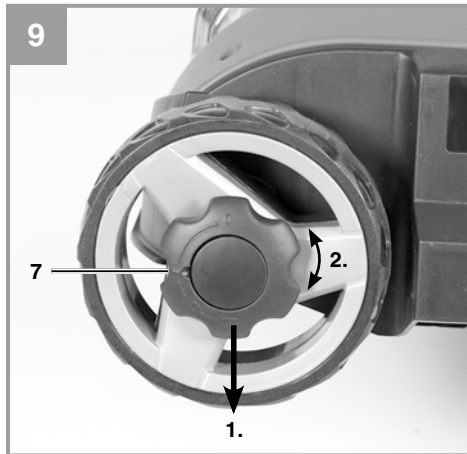


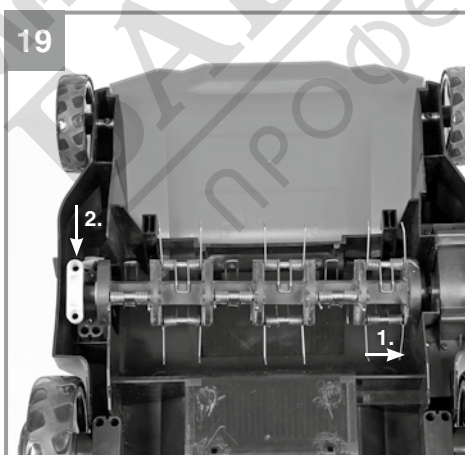
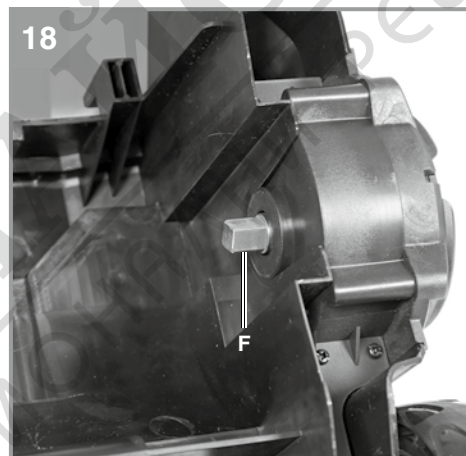
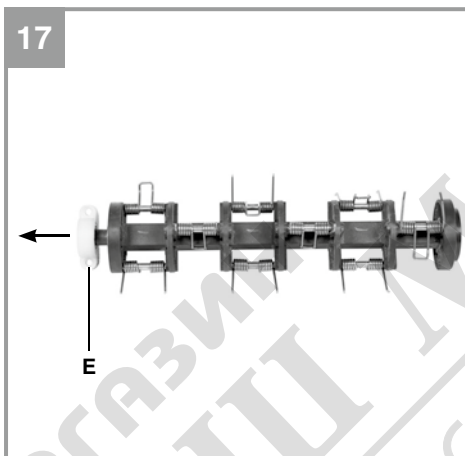
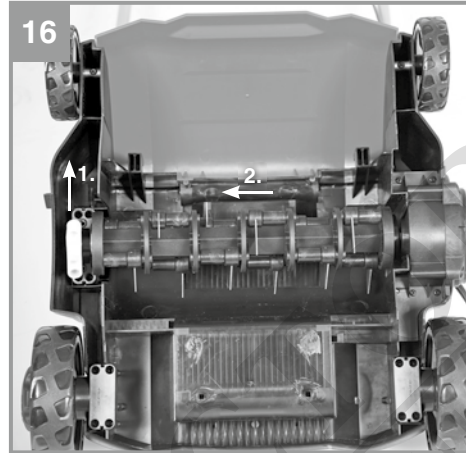
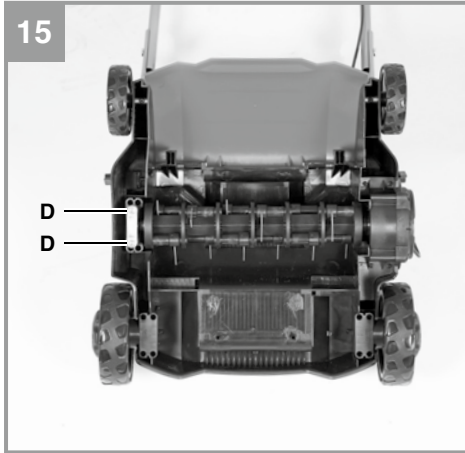
Art.-Nr.: 34.206.25 (Solo)

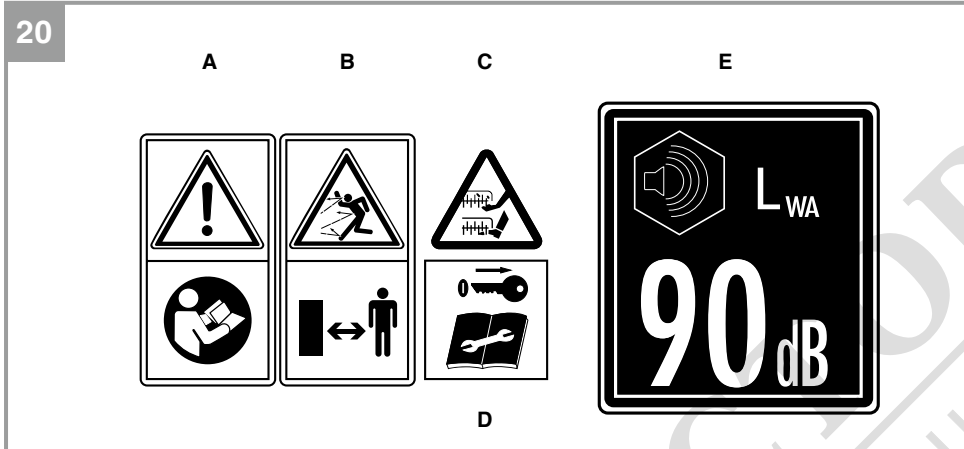
I.-Nr.: 21014



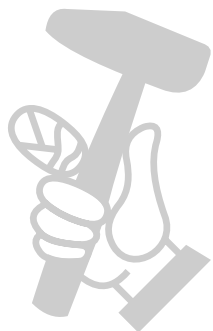








МАГАЗИН
БАШ МАЙСТРА
ПРОФЕСІОНАЛНИ РЕШЕННЯ



Danger!

When using the equipment, a few safety precautions must be observed to avoid injuries and damage. Please read the complete operating instructions and safety regulations with due care. Keep this manual in a safe place, so that the information is available at all times. If you give the equipment to any other person, hand over these operating instructions and safety regulations as well. We cannot accept any liability for damage or accidents which arise due to a failure to follow these instructions and the safety instructions.

1. Safety regulations

The corresponding safety information can be found in the enclosed booklet.

Warning!

Read all the safety information, instructions, illustrations and technical data provided on or with this power tool. Failure to adhere to the following instructions may result in electric shock, fire and/or serious injury.

Keep all the safety information and instructions in a safe place for future use.

Explanation of the symbols used (see Fig. 20)

- A = WARNING – Read the operating instructions to reduce the risk of injury
 B = WARNING – Beware of flying objects – keep other people away
 C = WARNING – Keep hands and feet away from the teeth
 D = WARNING – Remove the safety plug before carrying out maintenance work
 E = Guaranteed sound power level

This equipment is not allowed to be used by children. Children should be supervised so that they do not play with the equipment. Children are not allowed to carry out the cleaning or maintenance. This equipment is not allowed to be used by people with limited physical, sensory or mental capacities or by those with insufficient knowledge or experi-

ence unless they are supervised or instructed by a person who is responsible for them.

2. Layout and items supplied**2.1 Layout (Fig. 1/2)**

1. On/Off switching bar
2. Safety lock-off
3. Top push bar
4. Tube (2x)
5. Push bar holder, left
6. Battery cover
7. Depth adjustment
8. Motor ventilation
9. Thumb screw
10. Ejector flap
11. Cable clip (3x)
12. Push bar holder, right
13. Wing nut (4x)
14. Fastening screw (4x)
15. Safety plug
16. Equipment (pre-assembled) with push bar

2.2 Items supplied

Please check that the article is complete as specified in the scope of delivery. If parts are missing, please contact our service center or the sales outlet where you made your purchase at the latest within 5 working days after purchasing the product and upon presentation of a valid bill of purchase. Also, refer to the warranty table in the service information at the end of the operating instructions.

- Open the packaging and take out the equipment with care.
- Remove the packaging material and any packaging and/or transportation braces (if available).
- Check to see if all items are supplied.
- Inspect the equipment and accessories for transport damage.
- If possible, please keep the packaging until the end of the guarantee period.

Danger!

The equipment and packaging material are not toys. Do not let children play with plastic bags, foils or small parts. There is a danger of swallowing or suffocating!

- Cordless scarifier and lawn aerator

- Original operating instructions
- Safety instructions

3. Proper use

The basic version of the equipment is a scarifier intended for private use, i.e. for use in home and gardening environments. The scarifier roller is designed for ripping moss and weeds - complete with their roots - out of the soil and for loosening the soil. As a result your lawn can absorb nutrients better and is cleaned. We recommend you to scarify your lawn in the spring (April) and autumn (October).

With the additional aerator roller (Art. No. 34.059.41), available as an option, the equipment can be converted to a lawn aerator in just a few steps.

The aerating roller scratches the surface of the lawn, helping water to drain off more easily as well as promoting oxygen intake. Aerate your lawn throughout the growing period.

The equipment is intended for private use i.e. for use in home and gardening environments.

Scarifiers for private use are machines whose annual operating time generally does not exceed 10 hours, during which the machine is primarily used to maintain small-scale, residential lawns and home/hobby gardens. Public facilities, sporting halls, and agricultural/forestry applications are excluded.

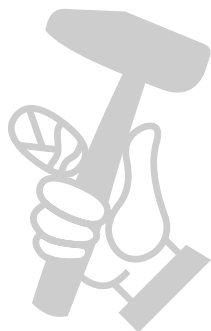
The operating instructions as supplied by the manufacturer must be kept and referred to in order to ensure that the equipment is properly used and maintained. The instructions contain valuable information on operating, maintenance and servicing conditions.

Warning! Due to the high risk of bodily injury to the user, the equipment may not be used to grind up branch or hedge clippings. Moreover, the equipment may not be used as a power cultivator to level out high areas such as mole hills.

For safety reasons, the scarifier may not be used as a drive unit for other equipment or toolkits of any kind, unless specifically advised to do so by the manufacturer.

The equipment is to be used only for its prescribed purpose. Any other use is deemed to be a case of misuse. The user / operator and not the manufacturer will be liable for any damage or injuries of any kind caused as a result of this.

Please note that our equipment has not been designed for use in commercial, trade or industrial applications. Our warranty will be voided if the machine is used in commercial, trade or industrial businesses or for equivalent purposes.



4. Technical data

Idle speed	3200/min
Protection class	III
Voltage	18 V DC
Working width	28 cm
Number of blades	12 double blades
Scarifying depth	-2 / 2 / 4 / 6 mm
L_{pA} sound pressure level	67 dB(A)
Uncertainty K	3 dB
L_{WA} sound power level	87 dB(A)
Uncertainty K	3 dB
L_{WA} sound power level guaranteed	90 dB(A)
Vibration at the handlebars, max.	3.7 m/s ²
Uncertainty K	1.9 m/s ²
Protection type	IPX1
Weight	6.8 kg

Danger!

Sound and vibration

Sound and vibration values were measured in accordance with the standards EN 62841.

Important!

The equipment is supplied without batteries and without a charger is allowed to be used only with the lithium-ion batteries of the Power X-Change series!

The lithium-ion batteries of the Power X-Change series are allowed to be charged only with the Power-X charger.

Wear ear-muffs.

The impact of noise can cause damage to hearing.

Total vibration values (vector sum of three directions) determined in accordance with EN 62841.

The stated vibration emission levels and stated noise emission values were measured in accordance with a set of standardized criteria and can be used to compare one power tool with another.

The stated vibration emission levels and stated noise emission values can also be used to make an initial assessment of exposure.

Warning:

The vibration and noise emission levels may vary

from the level specified during actual use, depending on the way in which the power tool is used, especially the type of workpiece it is used for.

Caution!

Residual risks

Even if you use this electric power tool in accordance with instructions, certain residual risks cannot be ruled out. The following hazards may arise in connection with the equipment's construction and layout:

1. Damage to hearing if no suitable ear protection is used.
2. Health damage caused by hand-arm vibrations if the equipment is used over a prolonged period or is not properly guided and maintained.

Limit the operating time!

All stages of the operating cycle must be considered (for example, times in which the electric tools are switched off and times in which the tool is switched on but operates without load).

5. Before starting the equipment

Warning!

Always pull out the safety plug before performing any adjusting, repair, maintenance or cleaning work on the equipment.

The scarifier is delivered unassembled. The complete push bar must be assembled and mounted before using the scarifier.

Follow the operating instructions step-by-step and use the pictures provided as a visual guide to easily assemble the machine.

Important! Required assembly parts (screws, cable guides, etc.) or functional parts (e.g. plugs, wrenches, etc.) can be found in the shaped parts of the packaging or on the equipment.

Fitting the push bar holders and cable clips (Fig. 3 - 6)

1. Screw the left push bar holder (Item 5) securely on the housing. Make sure that the embossing (Fig. 2 / Item A) faces inwards. Then screw on the right-hand push bar holder (Fig. 2 / Item 12) securely.

2. Use the fastening screws (Item 14) and the wing nuts (Item 13) to screw one tube (Item 4) securely on each push bar holder (Item 5 / 12).
3. Screw the upper push bar (Item 3) on each tube (Item 4). Use the push bar fastening screws (Item 14) and the wing nuts (Item 13) similarly for this purpose.
4. Fasten the power cable to the push bar tubes using the supplied cable clips (Item 11). Make sure that the cable and cable clips do not obstruct the push bar when it is flipped over (see section 8).

Important! There are 3 assembly holes so that the height of the push bar can be adjusted to specific user requirements at any time. Use the hole which is best suited for you, making sure that you use the same hole on both sides.

Please ensure that the ejector flap can be opened and closed easily!

Fitting the optional catch basket (see Fig. 7-8)

The basic version of the equipment does not include a catch basket. This is available separately (Art. No. 34.059.40).

- To hang the grass basket on the scarifier you must lift the ejector flap (Item 10) with one hand and with the other hand take hold of the grass bag by the handle and hook it onto the scarifier from above.

Danger!

Before you ever hook the grass basket to the scarifier you must ensure that the motor is switched off and the cutting unit is not rotating.

Adjusting the working depth (see Fig. 9)

The scarifier depth is adjusted at the two front wheels using the adjustment mechanism. For this, pull out the adjusting screw and turn the wheel to the left or right into one of the available positions (0/I/II/III).

The scarifier depth must always be identically set on both sides!

- 0 = drive/transport position
- I = scarifier depth 2 mm
- II = scarifier depth 4 mm
- III = scarifier depth 6 mm

Charging the battery (Fig. 10)

The equipment is supplied without batteries and without a charger!

1. Take the battery pack out of the equipment. Do this by pressing the pushlock buttons (Fig. 11/Item C).
2. Check that your mains voltage is the same as that marked on the rating plate of the battery charger. Insert the power plug of the charger (22) into the socket outlet. The green LED will then begin to flash.
3. Insert the battery pack (21) into the battery charger (22).
4. In the section entitled „Charger indicator“ you will find a table with an explanation of the LED indicator on the charger.

The battery pack can become a little warm during the charging. This is normal.

If the battery pack fails to charge, check:

- whether there is voltage at the socket outlet
- whether there is good contact at the charging contacts

If the battery pack still fails to charge, send

- the charging unit
 - and the battery pack
- to our customer service center.

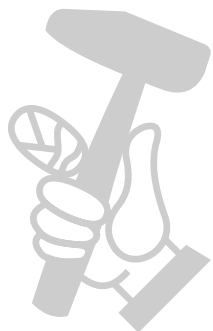
To ensure that items are properly packaged and delivered when you send them to us, please contact our customer service or the point of sale at which the equipment was purchased.

When shipping or disposing of batteries and cordless tools, always ensure that they are packed individually in plastic bags to prevent short circuits and fires.

To ensure that the battery pack provides long service, you should take care to recharge it promptly. You must recharge the battery pack when you notice that the performance of the device drops. Never allow the battery pack to become fully discharged. This will cause it to develop a defect.

Battery capacity indicator (Fig. 11)

Press the switch for the battery capacity indicator (Item A). The battery capacity indicator (Item B) shows the charge status of the battery using 3 LEDs.



All 3 LEDs are lit:

The battery is fully charged.

2 or 1 LED(s) are lit:

The battery has an adequate remaining charge.

1 LED flashes:

The battery is empty, recharge the battery.

All LEDs blink:

The battery temperature is too low. Remove the battery from the equipment, keep it at room temperature for one day. If the fault reoccurs, this means that the rechargeable battery has undergone exhaustive discharge and is defective. Remove the battery from the equipment. Never use or charge a defective battery.

Fitting the battery (Fig. 12 – 13)

Note: The battery cover is self-closing and is held shut by 2 magnets. If the safety plug (Item 15) is already installed, remove it before fitting the battery.

- Open the battery cover (Item 6) and hold it open. Push the battery (Item 21) into the mount until you hear the battery engage.

Important!

To operate the machine, a battery is required, and it may be inserted on either the left or right side.

For a longer running time, the machine can be equipped with 2 batteries (which may be of different capacities). The battery on the left side will be used first, before automatically switching over to the battery on the right side when required.

6. Operation

Bring the machine to a stop, remove the safety plug and wait until all the moving parts have come to a complete standstill

- if you hit a foreign object, then inspect the machine for damage. Repair the damage before starting and operating the machine again.
- if the machine starts to vibrate in an unusual way. Immediately check the machine for damage, replace or repair any damaged parts and check whether there are any loose parts on the machine. Tighten the loose parts.
- when maintenance procedures are carried out by the user
- when cleaning the machine
- when the machine is left unattended.

The scarifier is equipped with a safety switch to prevent unauthorized use. Directly before starting up the scarifier insert the safety plug (Fig. 13/Item 15) and remove the safety plug again when interrupting or terminating your work.

To prevent accidental start-up of the scarifier, the push bar (Fig. 14/Item 3) is equipped with a safety lock-off (Fig. 14/Item 2) which must be pressed before the lever switch (Fig. 14/Item 1) can be pressed. The start time for the equipment can amount to several seconds. If the lever switch is released, the scarifier switches off. Repeat this process several times so that you are sure that your equipment functions properly.

Danger! Never open the ejector flap when the motor is running. A rotating cutting unit can cause injuries. Always fasten the ejector flap carefully. The flap flips back to the "Closed" position by the tension springs! Always ensure that a safe distance (provided by the long handles) is maintained between the user and the housing. Be especially careful when scarifying and changing direction on slopes and inclines. Maintain a solid footing and wear sturdy, non-slip footwear and long trousers. Always scarify along the incline (not up and down). For safety reasons, the scarifier may not be used to scarify inclines whose gradient exceeds 15 degrees.

Use special caution when backing up and pulling the scarifier (tripping hazard)!

Tips for proper working

It is recommended that you overlap scarifying paths a little.

Try to scarify in straight lines for a nice, clean look. In so doing, the aeration swaths should always overlap each other by a few centimeters in order to avoid bare strips.

If you use the catch bag which is available as an option, it has to be emptied as soon as grass clippings start to trail behind during scarifying.

Danger! Before taking off the grass basket, switch off the motor and wait until the roller has come to a stop.

To remove the grass basket, lift up the ejector flap with one hand, while unhooking the basket with the other.

How frequently you should scarify your lawn is determined primarily by the speed at which the

grass grows and the hardness of the soil.

Keep the underside of the equipment clean and remove soil and grass build-up. Deposits make it more difficult to start the aerator and decrease the quality of the scarifying.

Always scarify along inclines (not up and down).

Switch off the motor before doing any checks on the roller.

Danger!

The cutting unit is equipped with moving blades and will rotate for a few seconds after the motor is switched off.

Never attempt to stop the roller.

Tips on aerating properly with the aerator roller available as an option.

The way of working for aerating is the same as for scarifying.

You should therefore observe these safety instructions and notes on working practice.

7. Cleaning, maintenance and ordering of spare parts

Danger!

Always pull out the safety plug before performing any adjusting, repair, maintenance or cleaning work on the equipment. Make sure that the spike drum is not rotating.

7.1 Cleaning

- Keep all safety devices, air vents and the motor housing free of dirt and dust as far as possible. Wipe the equipment with a clean cloth or blow it with compressed air at low pressure.
- We recommend that you clean the device immediately each time you have finished using it.
- Clean the equipment regularly with a moist cloth and some soft soap. Do not use cleaning agents or solvents; these could attack the plastic parts of the equipment. Ensure that no water can seep into the device. The ingress of water into an electric tool increases the risk of an electric shock.

7.2 Maintenance

- A worn out or damaged cutting unit should be replaced by an authorised expert.
- Take care that all fastening elements (screws, nuts, etc.) are firmly tightened, so that you

can work safely with the scarifier.

- Store the scarifier in a dry place.
- For longer life, all screw-fastened parts, such as wheels and axles should be cleaned and subsequently oiled.
- Regular servicing of the scarifier not only secures longer endurance and performance, but also contributes to an accurate and simple scarification of your lawn.
- At the end of the season, carry out a general check of the scarifier, and remove all residue collected. Before the start of every season, it is absolutely necessary to check the state of the scarifier. Contact our Customer Service if repair work is necessary.

7.3 Changing the roller (see Figures 15-19)

Be sure to wear work gloves!

Only replace the roller with a genuine Einhell roller, as this will ensure top performance and safety under all conditions.

To change the scarifier roller or the optionally available aerator roller (Fig. 17, Art. No.: 34.059.41), proceed as follows:

Remove the two socket head screws (Fig. 15 / Item D). Lift the roller at this end (Fig. 16) and pull it out in the direction of the arrow. If the holder (Fig. 17 / Item E) does not exist on the roller you want to install, remove it from the previously used roller and fit it on the roller you now want to use. Slide the new roller in the direction of the arrow (Fig. 19) onto the square-ended drive (Fig. 18 / Item F) and then press it into the holder (Fig. 19). Use the two socket head screws (Fig. 15 / Item D) to secure the roller again.

Apply grease to the square-ended drive from time to time so that the rollers can be changed easily.

7.4 Ordering replacement parts:

Please quote the following data when ordering replacement parts:

- Type of machine
- Article number of the machine
- Identification number of the machine
- Replacement part number of the part required

For our latest prices and information please go to www.Einhell-Service.com

Replacement cutting unit Art. No.: 34.059.42

Aerator roller Art. No.: 34.059.41

Catch basket Art. No.: 34.059.40

8. Storage and transport

Important! Remove the battery.

Storage

Let the equipment cool down and empty the supplied catch basket.

Store the equipment and accessories out of children's reach in a dark and dry place at above freezing temperature. The ideal storage temperature is between 5 and 30°C. Store the equipment in its original packaging.

Transport

- Switch the machine off and pull out the safety plug before transporting it.
- Fit transport guards if available.
- For easier transport and/or storage, open the wing nuts (Fig. 1 / Item 13) far enough to allow the push bars to be flipped together at these points. Take care not to damage the cable and the push bar tubes.
- Protect the machine from damage and the strong vibrations that can occur particularly when transporting in vehicles.
- Secure the machine against slipping and tipping over.

9. Disposal and recycling

The equipment is supplied in packaging to prevent it from being damaged in transit. The raw materials in this packaging can be reused or recycled. The equipment and its accessories are made of various types of material, such as metal and plastic. Never place defective equipment in your household refuse. The equipment should be taken to a suitable collection center for proper disposal. If you do not know the whereabouts of such a collection point, you should ask in your local council offices.



For EU countries only

Never place any electric power tools in your household refuse.

To comply with European Directive 2012/19/EC concerning old electric and electronic equipment and its implementation in national laws, old electric power tools have to be separated from other waste and disposed of in an environment-friendly fashion, e.g. by taking to a recycling depot.

Recycling alternative to the return request:

As an alternative to returning the equipment to the manufacturer, the owner of the electrical equipment must make sure that the equipment is properly disposed of if he no longer wants to keep the equipment. The old equipment can be returned to a suitable collection point that will dispose of the equipment in accordance with the national recycling and waste disposal regulations. This does not apply to any accessories or aids without electrical components supplied with the old equipment.

Please note that batteries and lamps (e.g. light bulbs) must be removed from the tool before it is disposed of.

The reprinting or reproduction by any other means, in whole or in part, of documentation and papers accompanying products is permitted only with the express consent of the Einhell Germany AG.

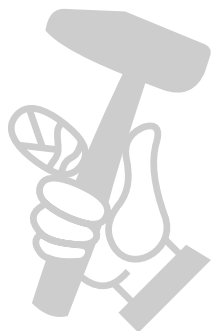
Subject to technical changes

10. Charger indicator

Indicator status		Explanations and actions
Red LED	Green LED	
Off	Flashing	<p>Ready for use The charger is connected to the mains and is ready for use; there is no battery pack in the charger</p>
On	Off	<p>Charging The charger is charging the battery pack in quick charge mode. The charging times are shown directly on the charger. Important! The actual charging times may vary slightly from the stated charging times depending on the existing battery charge.</p>
Off	On	<p>The battery is charged and ready for use. (READY TO GO) The unit then changes over to gentle charging mode until the battery is fully charged. To do this, leave the rechargeable battery on the charger for approx. 15 minutes longer. Action: Take the battery pack out of the charger. Disconnect the charger from the mains supply.</p>
Flashing	Off	<p>Adapted charging The charger is in gentle charging mode. For safety reasons the charging is performed less quickly and takes more time. The reasons can be: - The rechargeable battery has not been used for a very long time. - The battery temperature is outside the ideal range. Action: Wait for the charging to be completed; you can still continue to charge the battery pack.</p>
Flashing	Flashing	<p>Fault Charging is no longer possible. The battery pack is defective. Action: Never charge a defective battery pack. Take the battery pack out of the charger.</p>
On	On	<p>Temperature fault The battery pack is too hot (e.g. due to direct sunshine) or too cold (below 0° C). Action: Remove the battery pack and keep it at room temperature (approx. 20° C) for one day .</p>

11. Troubleshooting guide

Fault	Possible causes	Rectification
Motor does not start	a) Internal terminals disconnected b) Safety lock-off defective c) Scarifier housing clogged d) Safety plug is not connected e) Battery is not correctly inserted f) Battery is empty	a) By customer service workshop b) By customer service workshop c) Change the scarifying depth if necessary; clean the housing so that the spike drum can move freely d) Connect safety plug (see 6.) e) Remove battery and insert again (see 5.) f) Use a charged battery
Engine performance drops	a) Soil is too firm b) Housing clogged c) Roller badly worn	a) Change working depth b) Clean housing c) Replace roller
Imprecise scarifying result	a) roller worn b) Wrong working depth	a) Replace roller b) Correct working depth
Motor stops suddenly	a) Battery is overloaded b) Battery is empty	a) Switch the equipment off and on again. If this happens often, use a battery with higher capacity (Ah) b) Use a charged battery



Service information

We have competent service partners in all countries named on the guarantee certificate whose contact details can also be found on the guarantee certificate. These partners will help you with all service requests such as repairs, spare and wearing part orders or the purchase of consumables.

Please note that the following parts of this product are subject to normal or natural wear and that the following parts are therefore also required for use as consumables.

Category	Example
Wear parts*	V-belt, Roller, Battery
Consumables*	
Missing parts	

* Not necessarily included in the scope of delivery!

In the effect of defects or faults, please register the problem on the internet at www.Einhell-Service.com. Please ensure that you provide a precise description of the problem and answer the following questions in all cases:

- Did the equipment work at all or was it defective from the beginning?
- Did you notice anything (symptom or defect) prior to the failure?
- What malfunction does the equipment have in your opinion (main symptom)? Describe this malfunction.

