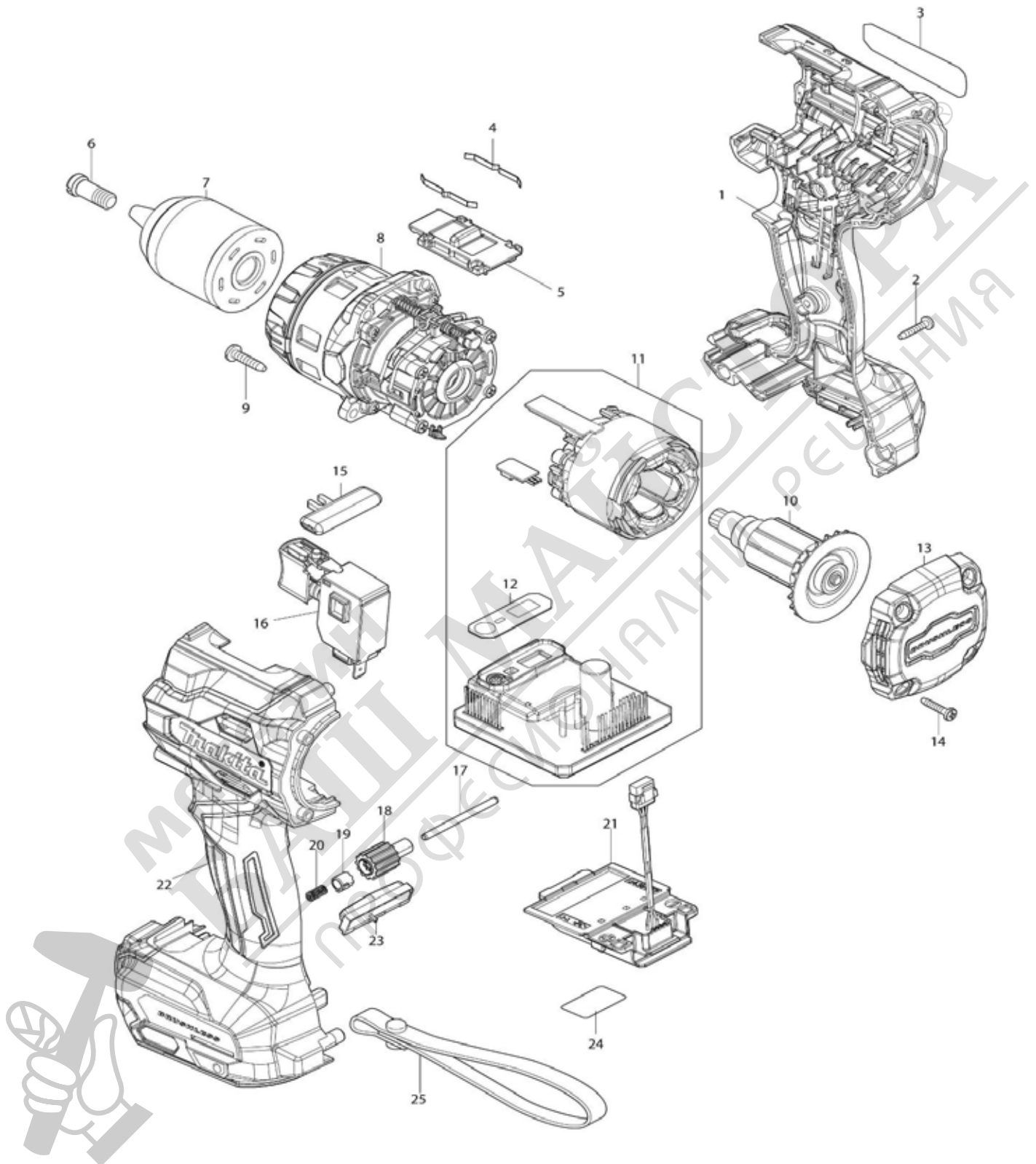


Partdrawing for DF003GZ - Boor-/schroefmachine



Model No.DF003G CORDLESS DRIVER DRILL



Nr.	Part nr.	Name
001	1831V5-6	Motorhuisset DF_HP003G
001C10	263005-3	Rubber Pen 6 P
001C20	422569-8	Buffer DF001G
001C30	252126-6	Borgmoer M4X7mm DGP180 P
002	266130-9	Tapschroef 3X16 A
003	8151Y0-6	Naamplaat DF003G
004	232220-0	Bladveer 6349D P
005	162E02-5	Toerenregelhendel DF_HP003G
006	265E30-0	Boorkopschr M8x22mm DF_HP001
007	763269-4	Boorkop SNSP
008	122J19-0	Tandwielset HP003G
009	266326-2	Tap Schroef 4X18mm P
010	619907-5	Anker DF_HP003G
011	529D23-8	Veld DF_HP003
012	8091G8-4	Label A/U DF003G
013	4132W4-0	Afdekkap DF_HP003G
014	266130-9	Tapschroef 3X16 A
015	419041-9	L/R Schakelknop Btd130F
016	650710-5	Schakelaar C3Jw-4B DF003G P
017	256949-4	As 3mm DF001G
018	140R76-4	Tandwiel DF001G
019	313288-6	Tandwielkam DF001G
020	232597-3	Drukveer 3mm DF001G
021	632W77-1	Aansluitunit VC013GL A
022	1831V5-6	Motorhuisset DF_HP003G
022C10	263005-3	Rubber Pen 6 P
022C20	422569-8	Buffer DF001G
022C30	252126-6	Borgmoer M4X7mm DGP180 P
023	620R06-6	Licht circuit DF_HP003G
024	8151Y2-2	Label serienr. DF003G

