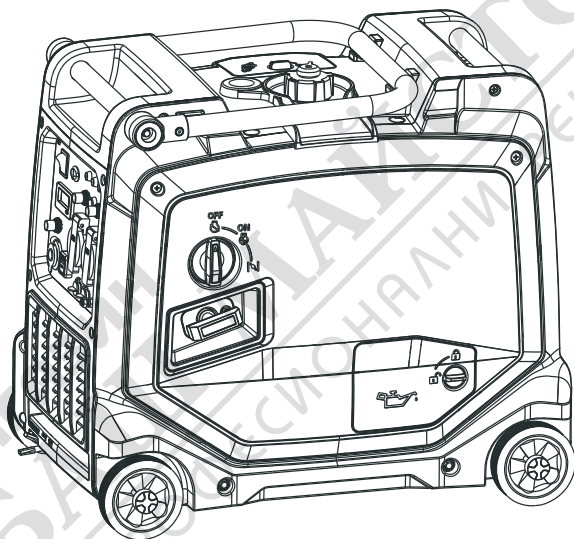




LYNX

ELEKTRO MASCHINEN

GSEm 6502 SBI



- Ⓜ GEHEPATOP Ⓜ GENERATOR Ⓜ GEHEPATOP
Ⓜ GENERÁTOR Ⓜ GENERÁTOR Ⓜ JENERATÖR Ⓜ GENERATOR Ⓜ STROMERZEUGER
Ⓜ GENERATOR Ⓜ GEHEPATOP Ⓜ GENERÁTOR Ⓜ AGREGAT Ⓜ GENERATOR Ⓜ GENERATOR

www.elektro-maschinen.com




Lesen Sie die
Bedienungsanleitung
gründlich, bevor Sie
den Generator in
Betrieb nehmen.

Read and
understand the
Owner's Manual
before operating the
generator.

Preberite navodila
za uporabo, pred
zagonom
generatorja

Pročitajte upute za
upotrebu, pre
uporabe generatora





Please keep this manual properly with machine in case of emergency for future reference. This manual should be considered a permanent part of the generator and should remain with it if it is let out or resold.

The relevant information and technical specifications contained in this manual are in effect at the time of approval for printing and are based on machines in production at the time of publication. Lutian Machinery Co., Ltd. reserves the right to make changes or improvements to any product described in this publication without prior notice.



МАГАЗИН
БАШ МАЙСТОР

ПРОФЕСИОНАЛНИ РЕПРЕЗЕНТАТИ

Foreword	1
Safety Warnings	2-7
Functional Parts	8-11
Pre-operational Preparation	12-13
Operation Instruction	14-19
Application	20
Maintenance	21-26
Storage	27
Troubleshooting	28



МАГАЗИН
БАШ МАЙСТОРА[®]
 ПРОФЕСІОНАЛНИ РЕШЕННЯ

Foreword

Thank you for buying this generator set. The unit is a compact, high-performance, forced air-cooled, engine-driven generator for domestic use when there is no power supply. Read this manual carefully before use to understand all required preparations and operation steps. Any doubts, please contact the nearest authorized dealer. They will help on the correct and safe operation of the machine. Consulting the dealer on the start-up and operation steps is also suggested at the time of buying this machine.

Safety Tips

The generator could only run safely, efficiently and reliably when it is properly stored, operated and maintained. Before operating or maintaining the generator, please:

- Check and strictly abide by local laws and regulations.
- Read and follow all safety warnings in this manual and on the machine.
- Familiarize your family members with all the safety warnings.

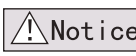
However, it's impossible for the manufacturer to foresee all possible hazards. As a result, the warnings in this manual together with the labels on the machine cannot cover all hazardous conditions. For all operating procedures, methods and skills that we do not provide specific suggestions, please operate it under the premise of ensuring personal safety. In addition, please also ensure these operating procedures, methods and skills will not damage the generator.

To ensure safe use of the machine, please carefully read the three most important safety warnings that we have written in the manual and on labels on the generator. Each safety warning is preceded by warning sign and warning word. Please refer to it below:

 **Danger** Failure to follow instructions will result in serious injury.

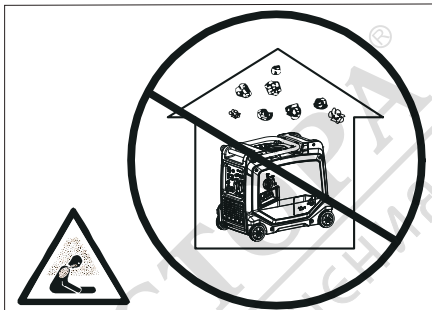
 **Warning** Failure to follow instructions could result in serious injury.

 **Caution** Failure to follow instructions may result in minor injury.

 **Notice** Failure to follow instructions may damage your generator and other property.

⚠ Danger

Do not use indoors



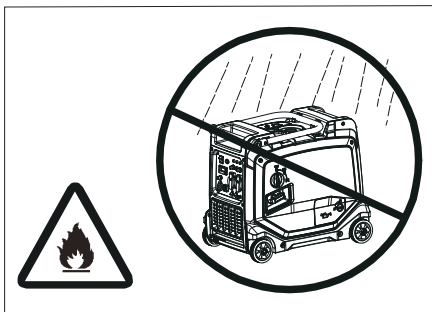
⚠ Danger

Keep it clean. Do not spill gasoline or other flammables on the machine.



⚠ Warning

Do not use in damp environment.



Warning

Turn off the engine before refueling.



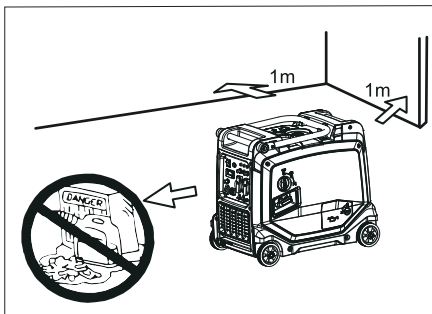
Warning

Never smoke near the generator while refueling;
Never refuel near flames.



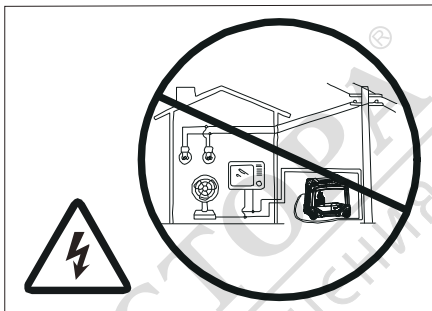
Warning

- Keep the generator out of reach of passers-by and children.
- Do not put any combustible objects near the exhaust when the generator is operating.
- Keep the generator at least 1m (3 feet) away from building or other device. Otherwise, the generator will be overheated.



⚠ Warning

Do not connect the generator to the mains supply or other generators. Please use it separately.



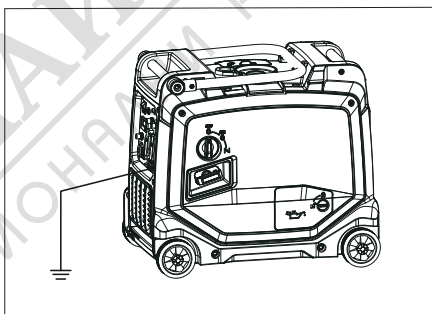
⚠ Warning

Ground the generator properly before starting up.

Caution Please use ground wire with sufficient electric flux.

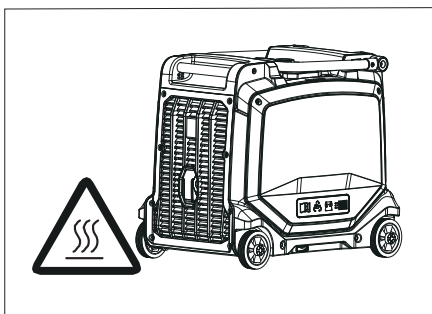
Ground wire Dia:1.2mm/A

E.g.: 10A-1.2mm



⚠ Warning

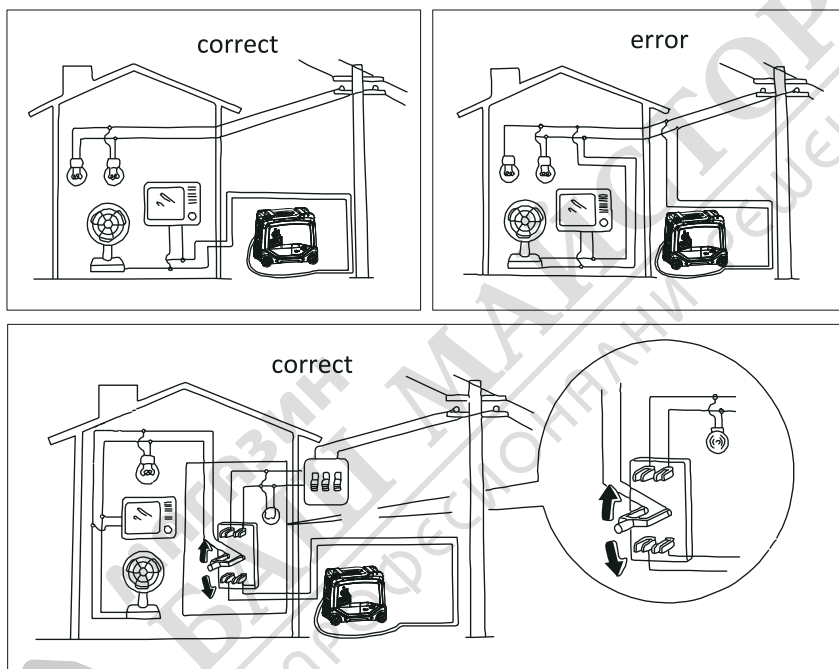
The temperature on the generator surface could be very high. Avoid scalding.



Connect to Household Power Supply

When the generator is connected to the household power supply as a backup power supply, it should be performed by a dedicated electrician or someone with proficient electrical skill.

After connecting the load to the generator, please carefully check whether the loads are safe and reliable. Any improper connection may cause damage to the generator, or cause a fire.

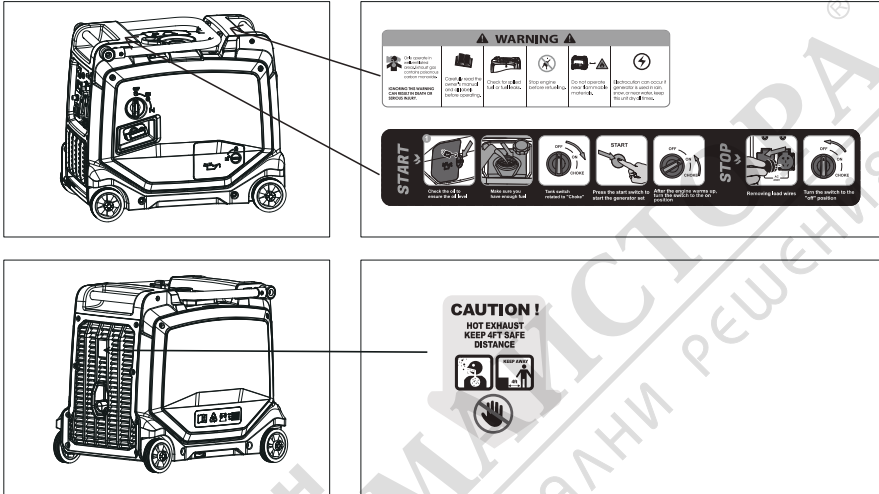


Notice

Keep the air inlet, exhaust port of the muffler and vent hole (at the bottom of the generator) unblocked and clean from debris, mud or water. Blocked cooling vent may damage the generator, inverter or alternator.

Do not put the generator with other stuff during moving, storing or operating. Fuel or oil leakage may cause damage to the generator or bring property safety issues.

Warning labels are stuck on the generator to remind you of following safety rules



Reading Manual

Read this manual carefully before operation.

Safety Warning









Failure to follow instructions will result in injury.

Electric Shock

Danger! Be careful of electric shock.

Toxic Gas

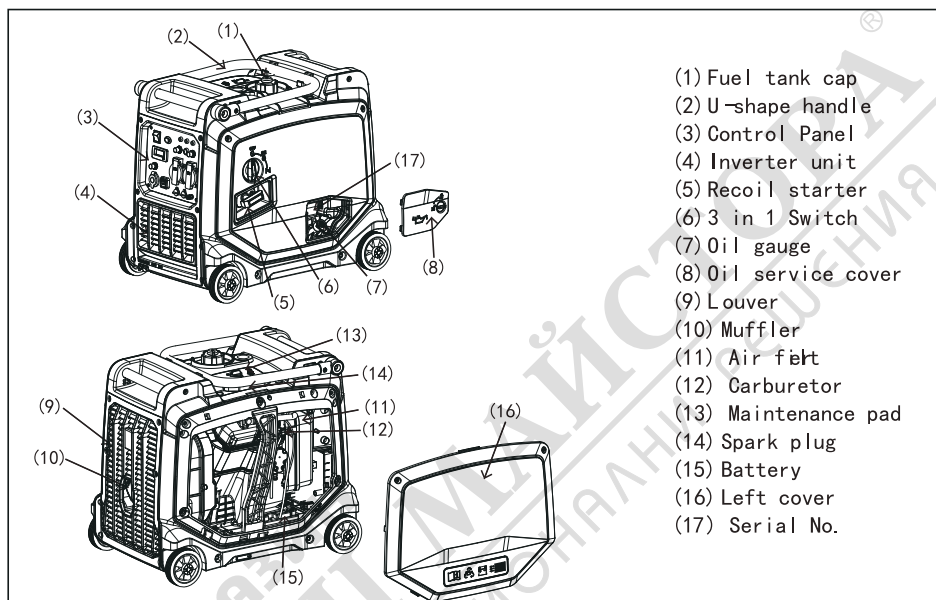
The exhaust gas contains CO, which cannot be seen or smelled. If inhaled too much, it will cause people to lose consciousness and in severe cases may be killed.

	Electric Shock	Generator is electrical equipment. Failure to follow instructions may result in an electric shock that could cause injury.
	No touch	Do not touch the device when it is running.
	Caution against Fire	Do not spill fuel or combustible materials on the machine. High temperature generated during operation may cause fire. Please be careful.
	Caution against Scald	High temperature during operation may burn the skin.
	Grounding	Please ground the machine before operation.
	No Water	Do not expose plugs or electric equipment to rain or water.
	Oil	Add oil, refer to Page 16.
	Fuel	Add fuel. The fuel must be gasoline.

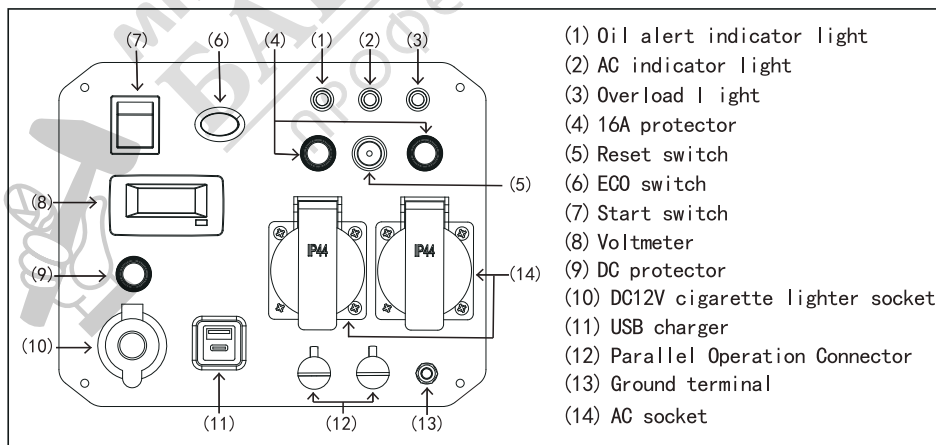


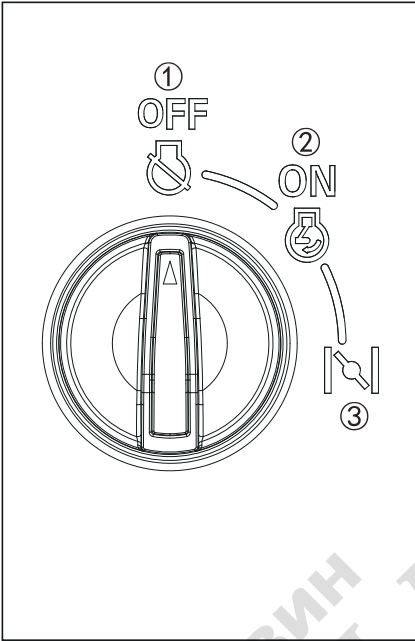
Functional Parts

Outward Appearance





Control Panel






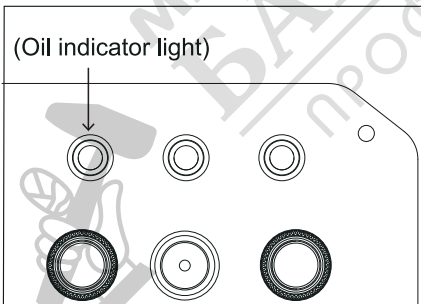
3 in 1 Switch

①“OFF” : Engine switch, fuel valve, battery, ignition circuit are “OFF”; Battery is cut off, Engine will not start.

②“ON” : Engine switch, fuel valve, battery, ignition circuit is switched “ON”. Fuel is switched on. Choke is switched on. The engine can run.

③“Choke” : Engine switch, fuel valve, battery,choke,ignition circuit is switched “ON”. Fuel is switched on. Choke is switched off. The battery is connected. The engine can be started.

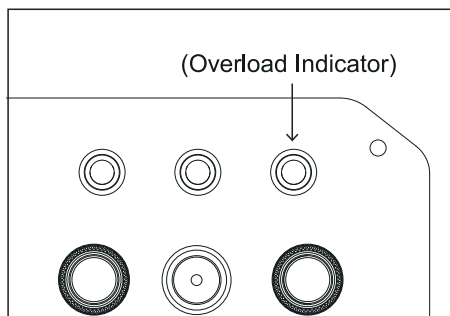
Notice:No need to turn the switch to ‘Choke’ position under warm start.



Oil indicator light

When oil level decrease below safety level, the oil protection system will shut the engine down and oil alarm indicator will light up. The engine could only be re-started when oil is filled to required level.

Tips: If the generator stops or cannot start, turn the switch to ON, and pull the recoil starter. If oil alarm indicator starts blinking, it means lack of oil, Please fill the oil and restart the machine.

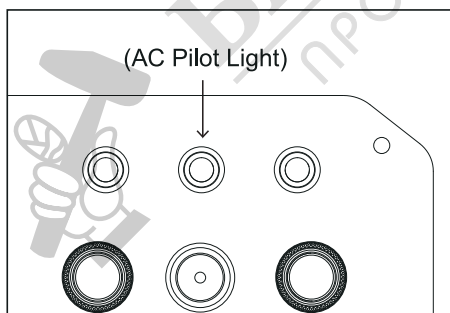


Overload Indicator

Overload indicator lights up when the output of the connected equipment is overloaded, causing the overheat of the inverter or the rise of AC voltage. AC protector starts to work and stops the output of the generator to protect the generator and loaded equipment. The AC pilot light (Green) will go off and the overload indicator (Red) will stay on, but the engine will not stop running.

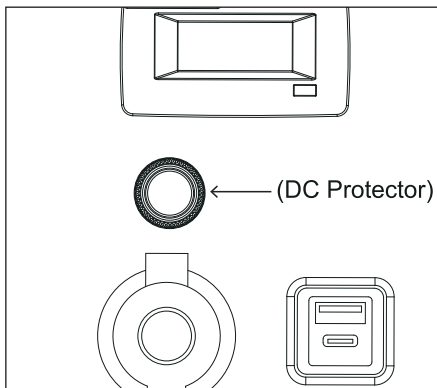
Please take following steps:

1. Turn off any connected electric devices and stop the engine.
2. Reduce the total wattage of connected electric devices within the rated output.
3. Press the reset button for 1 second and the generator starts to output, the red light is off and the green light is on.
4. Reconnect the devices.



AC Pilot Light (Green)

The AC pilot light comes on when the engine starts and produces power.



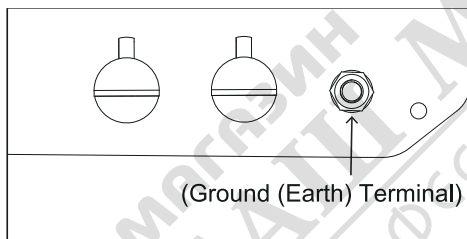
DC Protector

The DC protector turns to OFF when connected equipment is operating at a current above the rated current. Press the DC protector to ON before re-operation.

① “” normal DC output.

② “” no DC output.

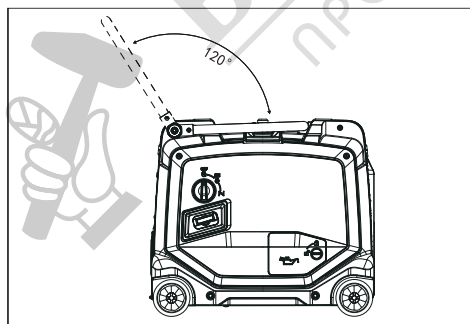
⚠ Caution: Reduce the load of the connected electric device below the specified rated output if the DC protector turns off. If the DC protector turns off again, stop using the device immediately and consult an authorized dealer.



Ground (Earth) Terminal

Connect the Ground (Earth) terminal to the ground wire to prevent electric shock.

When electrical device is earthed, **always** remember that the generator must be earthed.





U-shape Handle

During running or storage, keep the U-shape handle on the top of the generator. Before moving the generator, pull this handle to 120° position.

⚠ Caution: U-shape handle is designed for easy moving of the generator. Do not press it downward when it's opened at 120° to prevent any damage to the handle. Carry the machine at the straight handles on both ends.

PRE-OPERATIONAL PREPARATION

 **Notice:** Check the generator before each operation.

 **Warning:** The engine and muffler becomes very hot after the engine starts. Avoid any direct touching of your body or clothing on the engine and muffler before they cool down.

FUEL

 **Danger:**

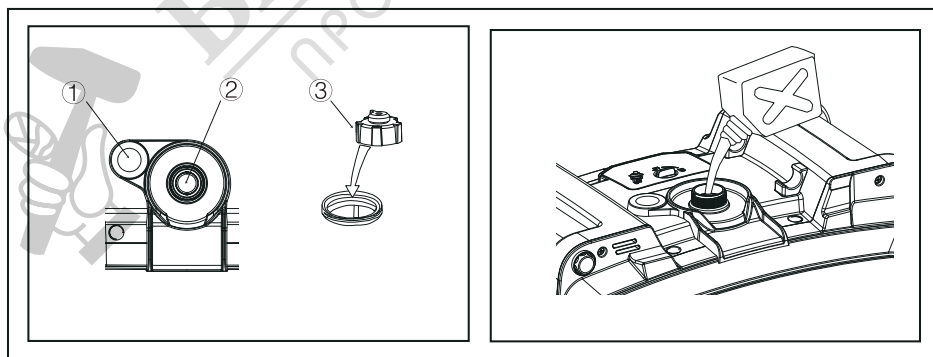
- Fuel is highly flammable and poisonous. Check “SAFETY WARNINGS” (See page 2-7) carefully.
- Do not overfill the fuel tank, otherwise it may overflow when the fuel warms up. Make sure the fuel tank cap is tightened securely.
- Wipe up spilled fuel immediately.
- Please do not use unleaded gasoline. Leaded gasoline will seriously damage the internal components of the engine.

Make sure there is sufficient fuel in the fuel tank.

Recommended Fuel: Unleaded Gasoline

Fuel Tank Capacity: 11L

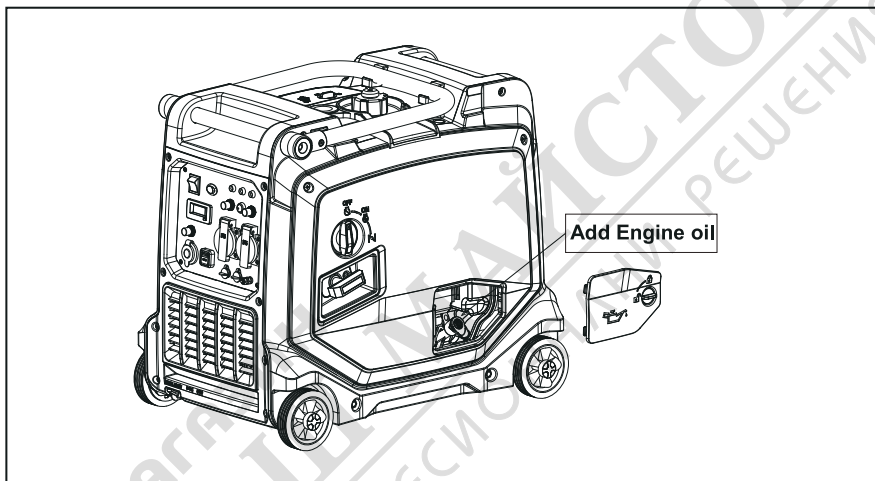
①Fuel Indicator ②Filter ③Fuel tank cap



Engine oil

The generator was shipped without engine oil. Do not start the engine till sufficient engine oil is filled.

When adding oil, please place the generator on a level surface, don't tilt the generator to prevent the engine from being damaged by excessive oil.



Engine Oil Level

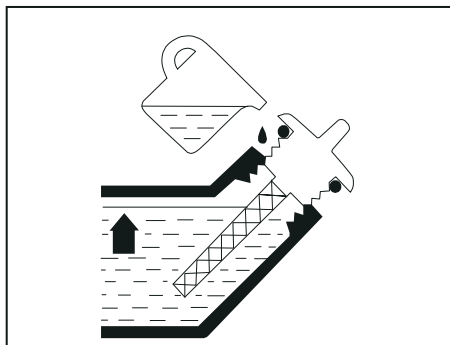
Recommended engine oil:

SAE 10W-30

Recommended engine oil grade:

API Service SE type or higher

Engine oil capacity: 0.7L

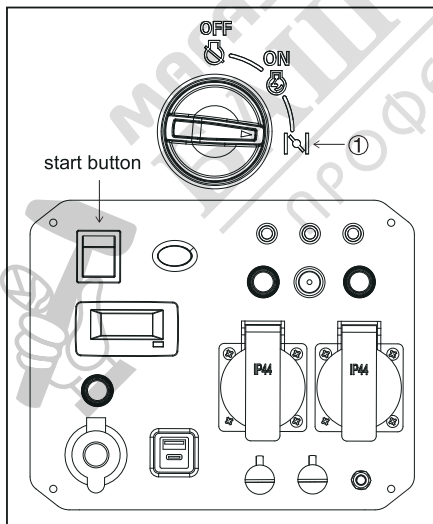


OPERATION

⚠ Notice: Never operate the generator in a closed area, or the exhaust gas may cause unconsciousness and death within a short time. Please operate the generator in a well-ventilated area. The generator was shipped without engine oil. Do not start the engine till sufficient engine oil is filled.

TIPS:

- The generator can work at rated output under standard atmospheric conditions.
- Standard atmospheric conditions: ambient temperature 25°C, atmospheric pressure 100kPa, relative humidity 30%.
- The output of the generator varies under different temperature, altitude (lower air pressure at higher altitude) and humidity.
- When temperature, humidity and altitude exceed standard atmospheric conditions, the output of the generator will drop.
- The load to the generator must be reduced when used in a confined area because it reduces the cooling effect.

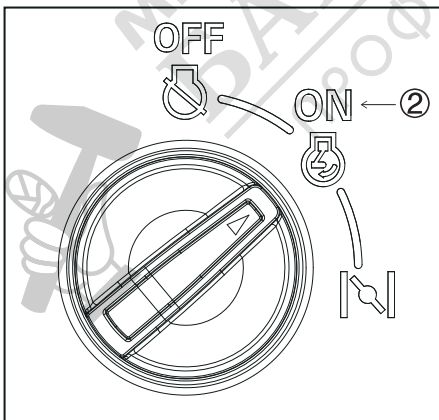
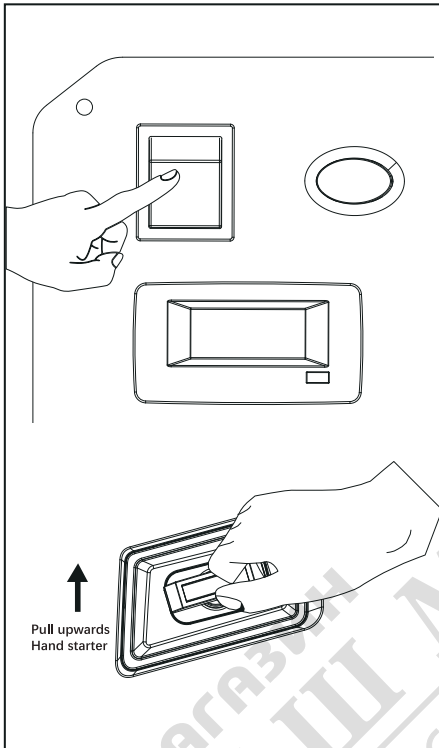


Starting the Engine

Turn the 3 in 1 switch to CHOKE ①

- Fuel system is on.
- Ignition circuit is on.
- Electric start battery supply is on.
- Choke is switched off, and the generator is ready for cold engine start.

TIP: No need to turn 3 in 1 switch to CHOKE under warm engine start. Turn 3 in 1 to ON.



Electric Start

Turn the 3 in 1 switch to “CHOKE”.

With electric start model, press the start button to start the generator.

To prolong the battery life, do not press the button for over 3 seconds each time, and do not repeat the press operation in less than 10 seconds.

Manual Start

Gently pull the hand starter until resistance is felt, then pull it briskly.

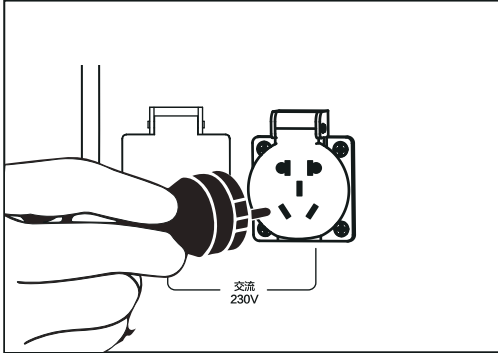
Tips: When pulling the hand starter, hold the generator to prevent it from falling down.

After the engine starts, turn the 3 in 1 switch to “ON”② after it warms up.

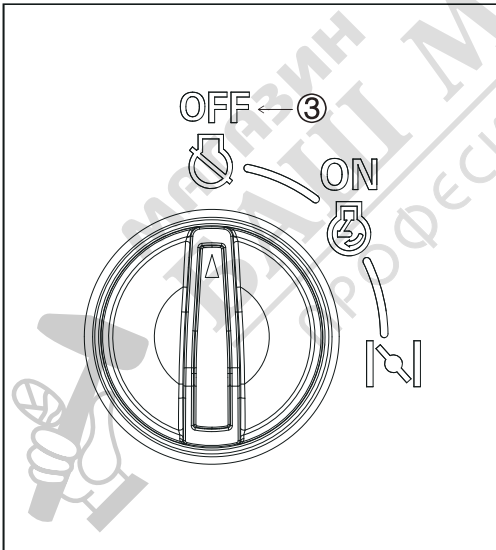
TIPS:

- Before starting the engine, do not connect any load to the generator.
- In ambient temperature below 0°C(32°F), the engine runs for 5 minutes to warm up. In ambient temperature below 5°C(41°F), the engine runs for 3 minutes to warm up.

Stopping the Engine



Disconnect all devices before stopping the engine.




TIPS: Shut down all the devices.


1. Shut down all the devices.
2. Turn the 3 in 1 switch to OFF ③
 - a. Fuel system is switched off.
 - b. Ignition circuit is switched off.
 - c. Startup battery power supply is turned off.

! Notice:

If the machine is not used for a long time, make sure that the 3 in 1 switch is turned to OFF to prevent the battery from being damaged due to long-time discharge.

AC Connection

 **Warning:** Be sure all electrical devices are turned off before plugging them in.

 **Notice:**

- Make sure the wires and plugs of the electrical devices are in good condition before connecting them to the generator.
- Make sure the full load is within the rated load of the generator.
- Make sure the load current is within the rated current range of the sockets.

TIPS: Make sure the generator is grounded. When grounding is required on the electrical devices, the generator must be grounded.

1. Start the engine.
2. Turn the ECON switch to "ON".
3. Plug the devices into the AC outlet.
4. Check the AC indicator is on.
5. Turn on the electrical devices.


TIPS: Before increasing the engine speed, turn the ECON switch to OFF.

- When the generator starts, the overload indicator (red light) will light up. Under normal condition, it will go out within 5 seconds. If the overload indicator (red light) stays on, consult your generator dealer.
- If more than 1 electrical devices are connected to the generator, please turn the devices on in a descending order according to their required load (From big load to small).
- When the generator is overloaded or there is a short circuit in the connected devices, the overload indicator (red light) will light up. After about 5 seconds, the AC indicator (green light) will go out. There is no output from the generator. Stop and check the generator to see if it is caused by short circuit or overload of the connected devices. Solve the problem and restart the generator.

Battery Charging

TIPS:

- The rated DC voltage is 12V.
 - Connect the battery to the generator after the engine starts.
 - Make sure the DC protector is turned on before charging the battery.
1. Start the engine.
 2. Connect the red battery charger lead to the positive (+) terminal.
 3. Connect the black battery charger lead to the negative (-) terminal.
 4. Turn the ECON switch to OFF and start battery charging.


 **Notice:**

- Make sure that the ECON switch is at OFF when charging the battery
- Make sure the red battery charger lead is connected to the positive terminal (+) while the black battery charger lead is connected to the negative terminal (-).
- Make sure the charger leads and the battery terminals are connected firmly to prevent loosening under vibration or other conditions.
- Follow the steps in the user manual to operate it correctly.
- During battery charging, if the current exceeds the rated current, the DC protector will stop the output. Press the DC protector to ON to restart the charging. If the DC protector turns off again, stop charging immediately and contact the dealer.

TIPS:

The following instructions in the user manual indicate that battery charging is completed.

- Measure the specific gravity of the electrolyte to check whether the battery is fully charged. When fully charged, the specific gravity of the electrolyte is between 1.26 and 1.28.
- It is recommended to check the specific gravity of the electrolyte at least once per hour to prevent the battery from being overcharged.

 **Warning:**

- During the charging process, do not smoke, connect or disconnect the battery. The sparks caused can ignite the gas around the battery.
- The battery electrolyte contains poisonous sulfuric acid which could cause burns. Please avoid direct contact with skin, eyes and clothes.

Emergency treatment method:

External Contact --- Flush with plenty of water.

Accidental ingestion - - - Drink plenty of water or milk; take milk containing magnesium oxide, egg liquid or vegetable oil and get prompt medical attention.

Accidental contact with eyes - - - Rinse with water for 15 minutes and get immediate medical attention.

Batteries can produce explosive gas. Please keep away from sparks, flames, cigarettes, etc. When charging or using the battery in a confined space, keep the space ventilated. Close your eyes as much as possible when working near the battery.

Keep the battery out of the reach of children.

AC Parallel Operation

Before connecting the electrical devices to the generator, make sure that the generator is under good working condition, and the load of the electrical devices should not exceed the rated power of the generator.

1. Connect two generators in parallel with a special cable kit.
2. Start the engines in sequence and make sure the AC indicators (green light) of both generators are on .
3. Plug the devices into the AC sockets.
4. Turn on the electrical devices.

AC Parallel Operation Devices

TIPS:





- Make sure that all electrical devices, including wires and plugs, are in good condition.
- If the device functions abnormally, becomes sluggish, or stops suddenly, turn off the power immediately. Disconnect the device and check if the rated load capacity of the device or generator has been exceeded.
- Make sure that overall load of all devices does not exceed that of the paralleled generators. Do not exceed the maximum power limit, which could be only used for no more than 30 minutes.
- Parallel operation is not allowed between generators of different models.
- Parallel operation could only be achieved with Lutian's parallel operation cable..
- When the generators are running, do not connect or disconnect the parallel running cable.
- For single generator operation, parallel operation cable must be disconnected..

Warning:

- The overload indicator (red) may stay on under long-time overloaded operation, which may damage the generator. The overload indicator (red) may flash under slight overload, which may shorten the service life of the generator.
- Limit the operation at maximum power within 10 minutes.
- Continuous operation shall not exceed the rated power.
- Rated power for parallel operation: 6.3 /6

Application Range

Before using the generator, please check that the total load is within the rated load of the generator. Otherwise it may damage the generator.

AC				
Power Factor	1	0.8-0.95	0.4-0.75 (Efficiency 0.85)	
6500iSE	~5000W	~4000W-4750W	~2000W-3750W	Rated voltage 12V Rated current 8A

TIPS: “~” means no more than;

Each device has its own function parameter in practical use.

AC and DC can be used at the same time, but the total power cannot exceed the rated output power.

For example:

Rated output of generator		3500VA
Utilization ratio	power factor	
AC	1.0	~5000W
	0.8	
DC	---	96W(12V/8A)


When the total power exceeds the rated output, the overload indicator turns on (see page 10 for details)

Notice:

- Do not overload. The total power of electrical devices shall not exceed the rated output of the generator. Overloading will damage the generator.
- When this generator is used to provide power supply to precision instruments, electronic controllers, personal computers, electronic computers, microcomputers, etc.,
- keep the generator a sufficient distance away to prevent electrical interference from the engine. Please also ensure that the engine is free from the interference of other electronic devices around.
- If this generator is used to provide power supply to medical equipment, advice should first be obtained from the manufacturer, a medical professional or hospital.
- The generator may fail on some electronic equipment or general motors that require large current during startup even if they lie within the supply ranges given in the above table. Consult the equipment manufacturer for further advice.

Maintenance

Safety is an obligation of the owner. Periodic inspection, adjustment and lubrication will keep your generator in the safest and most efficient condition possible. The most important points of generator inspection and lubrication are explained on the following pages.

 **Warning:** If you are not familiar with the maintenance work, have an authorized dealer do it for you.

Maintenance Chart

 **Warning:** Stop the engine before maintenance.

Use only our specified genuine parts for replacement. Ask an authorized dealer for further attention.

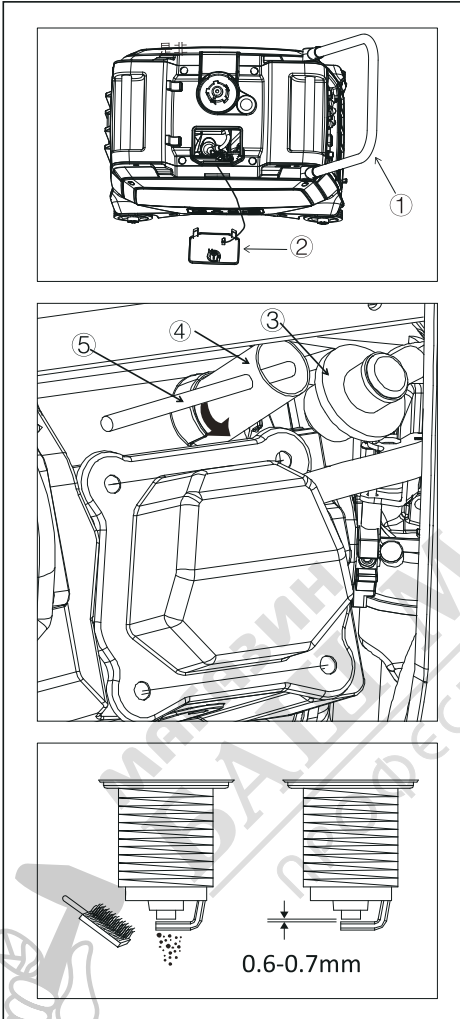
Item	Routine inspection	Pre-operational inspection / day	Every 6 months / 100 hours	Every 12 months / 300 hours
Spark Plug	Check the condition and clean or replace if necessary		○	
Fuel	Check the fuel level for leakage	○		
Oil pipe	Check oil pipe for cracks or damage. Replace if necessary.	○		
Oil	Check oil level	○		
	Replace		○ (1)	
Air Filter	Check the condition and clean		○ (2)	
Muffler cover	Check the condition and clean or replace if necessary		○	
Spark collector	Check the condition and clean or replace if necessary		○	
Fuel filter	Clean or replace if necessary			○
Crankcase breather pipe	Check for cracks or damages and replace if necessary			○
Cylinder head	Clean up carbon deposits (if necessary, repeat the operation)			★
Valve clearance	After engine cooling (check and adjust)			★
Assembly / holder	Check all assemblies / fixings and adjust if necessary			★
Problems found during use		○		

(1) Initial replacement of the engine oil is after one month or 20 hours of operation.

(2) The air filter element needs to be cleaned more frequently when used in unusually wet or dusty areas.

★ These items shall be maintained by our authorized dealers.

Spark Plug Inspection



Spark plug is an important engine component and shall be checked regularly.

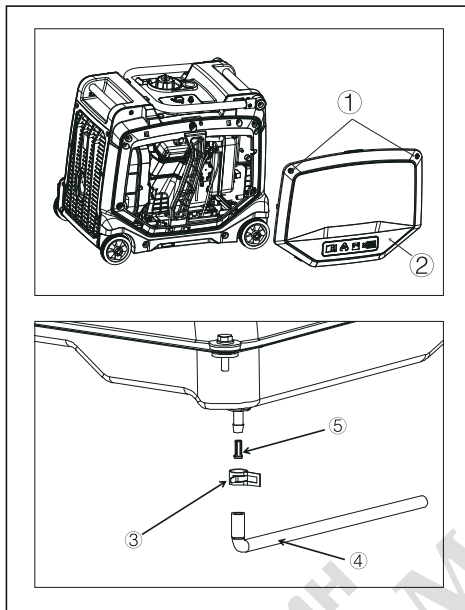
1. Open the U-shape handle (1), turn the maintenance pad (2) to and open.
2. Remove the spark plug cap (3) and place the spark plug wrench (4) at the right position of the spark plug.
3. Insert the screwdriver (5) into the wrench and turn it counterclockwise to remove the spark plug.
4. Check for discoloration and remove the carbon. The porcelain insulator around the center electrode of spark plug should be a medium-to-light tan color.
5. Check the spark plug type and the gap.

Standard spark plugs:
 BPR6ES/BP6ES(NGK)
 F6RTC/F6TC(TORCH)
 Spark plug gap:0.6-0.7mm

6. Install the spark plug.
- Tip:** If a torque wrench is not available when installing a spark plug, a good estimate of the correct torque is 1/4-1/2 turn past finger tight. However, the spark plug should be tightened to the specified torque as soon as possible.
7. Install spark plug cap and cover.
8. Install the maintenance pad.

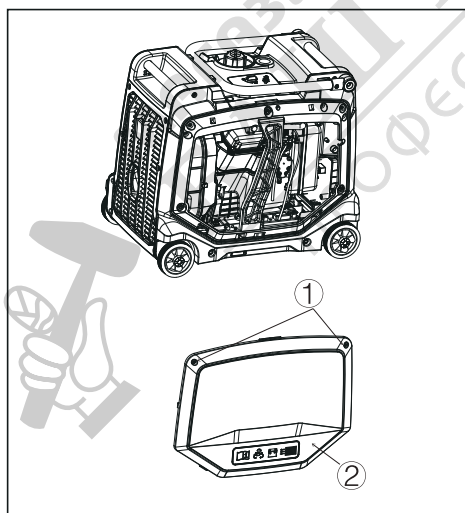
Carburetor Adjustment

Carburetor is an important part of engine. The adjustment shall be carried out by dealers with professional knowledge, professional data and equipment to ensure correct adjustment.



Clean the Fuel Filter

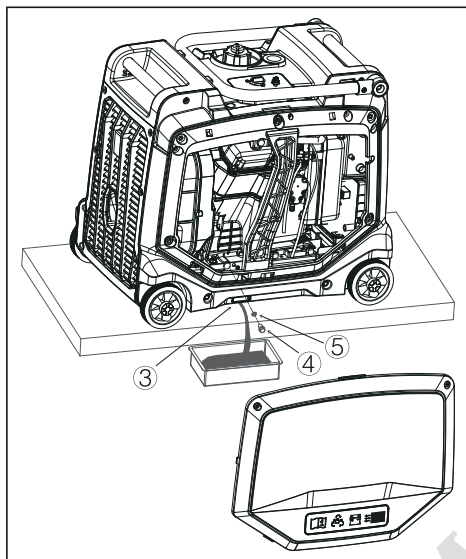
1. Loosen the screws ①, remove the left cover ②.
2. Drain the fuel tank. Hold the clamp ③, pull it downward to pull out the fuel pipe ④ and the fuel filter ⑤.
3. Install the fuel filter into the outlet nozzle of the fuel tank. Then put the oil pipe on the outlet nozzle and install the clamp.



Oil Change

Avoid draining the engine oil immediately after stopping the engine. The oil is hot and should be handled with care to avoid burns.

1. Place the generator on a level surface and warm up the engine for several minutes. Then stop the engine.
2. Loosen the screws ①, remove the left cover ②.



3. Put the generator on a platform, and tilt the machine in the direction of oil guide groove ③.

4. Put the drain pan under the machine, remove the oil drain plug ④. The oil will be discharged from the oil tank.

5. Check the oil gauge ④, sealing washer ⑤, Replace them immediately if damaged.

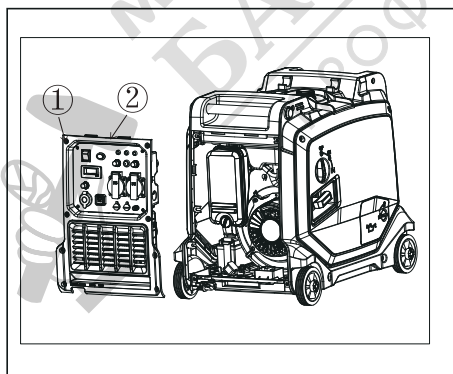
6. Reinstall the oil drain plug and sealing gasket.

7. Refill the oil to a proper position and tighten the oil gauge.

8. Clean the oil guide groove and assemble the left cover.

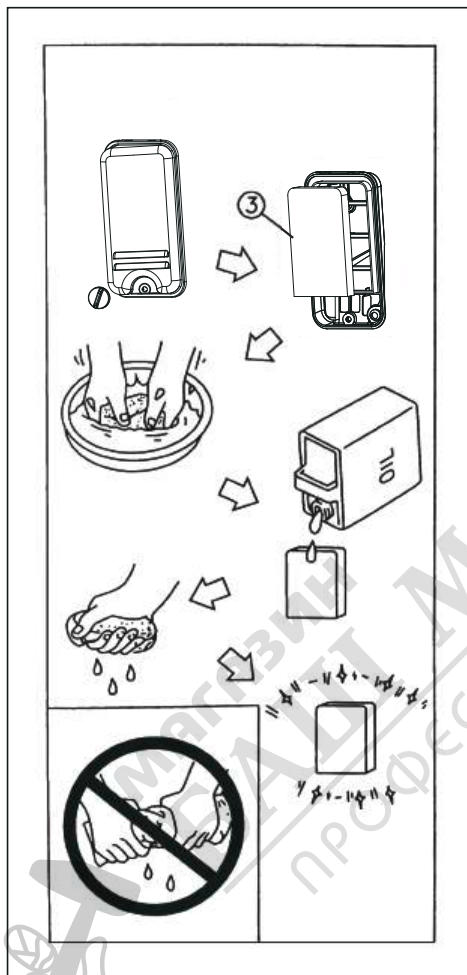
⚠ Notice:

Do not tilt the generator when adding engine oil. This could result in overfilling and damage to the engine. Be sure no foreign material enters the crankcase.



Air Filter

1. Loosen six screws ①, remove the front cover ②.



2. Remove the air filter cover and sponge filter element③.

3. Clean the sponge filter element with solvent and dry it.

4. Oil the foam element and squeeze out excess oil. The foam element should be wet but not dripping. Do not twist the sponge filter element to avoid damage.

5. Put sponge filter element into air filter.

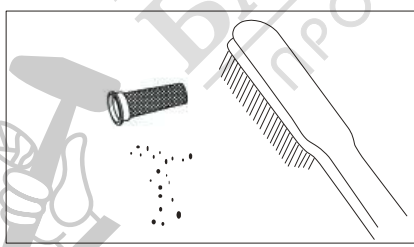
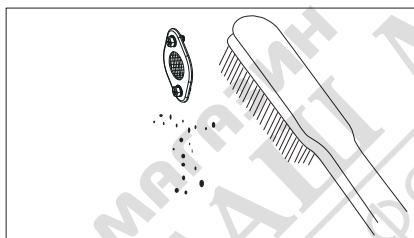
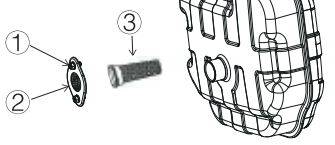
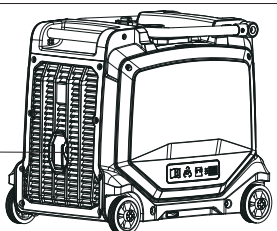
TIP: Be sure the foam element sealing surface matches the air filter so there is no air leakage. Do not start the engine without air filter. Excessive gas and cylinder wear may result.

6. Install the air filter cover in place.

Muffler Cover

⚠ Warning: The engine and muffler will be very hot after the engine has been run. Avoid touching the engine and muffler while they are still hot with any part of your body or clothing during inspection or repair.

Muffler

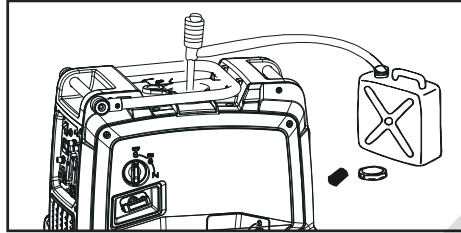


1. Remove the screws ① and the louver ②.
2. Take out the spark collector ③ .
3. Brush off the carbon deposit on the muffler cover with a wire brush.
4. Check the muffler cover. Replace it immediately if damaged.
5. Install the spark collector and the cover.

Storage

Long term storage of your machine will require some preventive procedures to guard against deterioration.

Drain the Fuel



1. Turn the 3 in 1 switch to OFF.
2. Remove the fuel tank cap and the filter. Drain the fuel from the fuel tank into an approved gasoline container using a commercially available handsiphon. Then, install the fuel tank cap.
3. Fuel is highly flammable and poisonous. Check "SAFETY INFORMATION" carefully and wipe the spilled fuel off with a clean soft cloth immediately to prevent damage to plastic cover.
4. Start the engine. It will stop after the fuel is used up in about 15 minutes.

Tips:

- Do not connect any electrical devices.
 - The running time of the engine depends on the capacity of the remaining fuel in the tank.
5. Loosen the oil drain bolt on the carburetor and drain the fuel in the carburetor into the approved gasoline container.
 6. Ensure that the 3 in 1 switch is turned to OFF.
 7. Tighten the oil drain plug.

Engine

Please follow the following steps to protect the crankcase, piston rings and other parts susceptible to corrosion.

1. Remove the spark plug, add a spoon of SAE10W30 lubricating oil, and install the spark plug back.
2. Pull the recoil starter (3 in 1 switch is at OFF) for a few minutes to lubricate the cylinder.
3. Pull the recoil starter until resistance is felt (to prevent rust of cylinder block and valve).
4. Stop pulling the recoil starter.
5. Clean the outside of the engine and spray with anti-rust agent.
6. Place the generator in a ventilated and dry place. Cover it with a plastic bag.
7. Be sure the generator is put both vertically and horizontally.

Troubleshooting

Engine won't start


1. Fuel system

- No fuel in the combustion chamber.
- No fuel in the tank: add fuel.
- Fuel in the fuel tank.
- Fuel filter is blocked: clean fuel filter.
- Carburetor is blocked: clean carburetor.



2. Engine oil system

- Low oil level: add engine oil.

3. Electric system

- Turn the 3 in 1 switch to "ON" , and the recoil starter pulls normally: no ignition at the spark plug .
- Carbon build-up or moisture on spark plug: clean and dry the spark plug.
- Ignition system fault: please contact the brand distributor.

Generator won't produce power

- The safety device (DC protector) is at  OFF : press the DC protector  to ON.
- AC indicator (green) goes out: stop the engine and restart it.

