

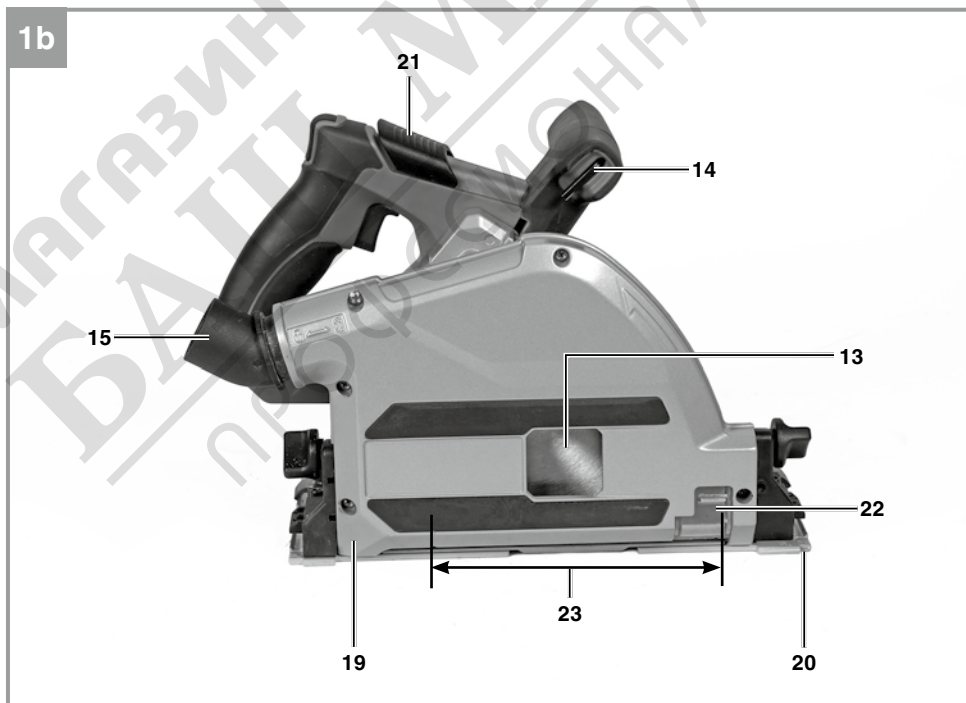
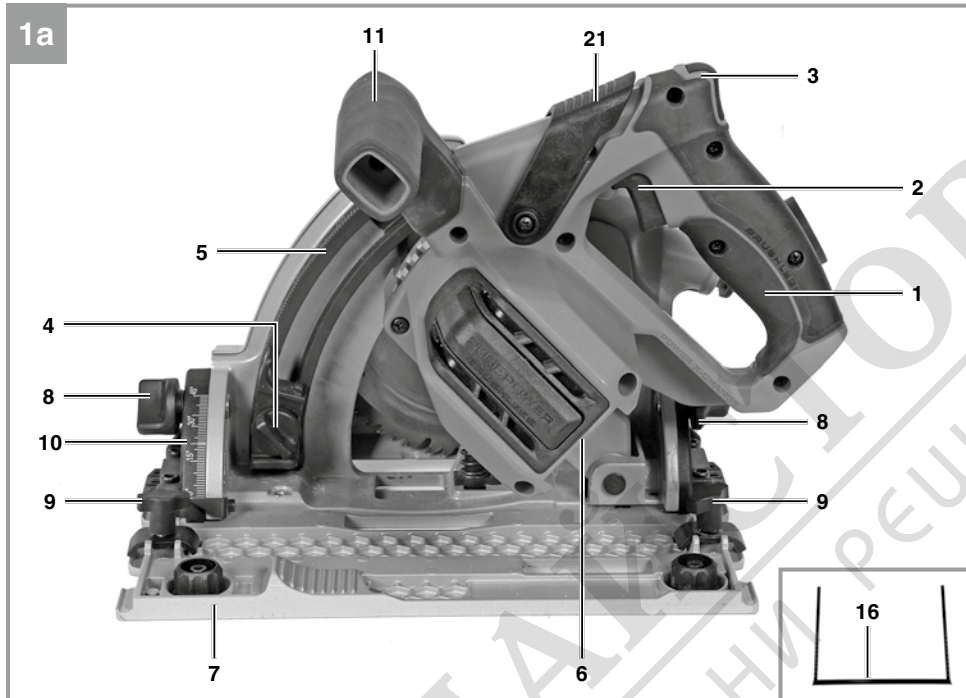
| | | | |
|----------|---|------------|--|
| D | Originalbetriebsanleitung Akku-Tauchsäge | H | Eredeti használati utasítás Akkus-merülőfűrész |
| GB | Original operating instructions Cordless plunge cut saw | RO | Instrucțiuni de utilizare originale Ferăstrău circular de mână cu plonjare cu acumulator |
| F | Instructions d'origine Scie plongeante sans fil | GR | Πρωτότυπες Οδηγίες χρήσης Βυθιζόμενο πριόνι μπαταρίας |
| I | Istruzioni per l'uso originali Sega a immersione a batteria | P | Manual de instruções original Serra de imersão sem fio |
| DK/ N | Original betjeningsvejledning Akku-dyksav | HR/ BIH | Originalne upute za uporabu Baterijska uranjajuća kružna pila |
| S | Original-bruksanvisning Batteridrivnen sänksåg | RS | Originalna uputstva za upotrebu Akumulatorska uranjajuća kružna testera |
| CZ | Originální návod k obsluze Akumulátorová ponorná pila | PL | Instrukcja oryginalną Akumulatorowa pilarka zanurze- niowa |
| SK | Originálny návod na obsluhu Akumulátorová ponorná píla | TR | Orijinal Kullanma Talimatı Akülü Sunta Kesme |
| NL | Originele handleiding Accu-invalzaag | RUS | Оригинальное руководство по эксплуатации Аккумуляторная погружная пила |
| E | Manual de instrucciones original Sierra de inmersión inalámbrica | EE | Originaalkasutusjuhend Akuga ketassaag |
| FIN | Alkuperäiskäyttöohje Akku-upposaha | | |
| SLO | Originalna navodila za uporabo Akumulatorska potopna žaga | | |

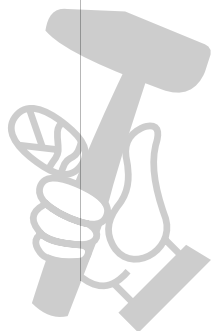
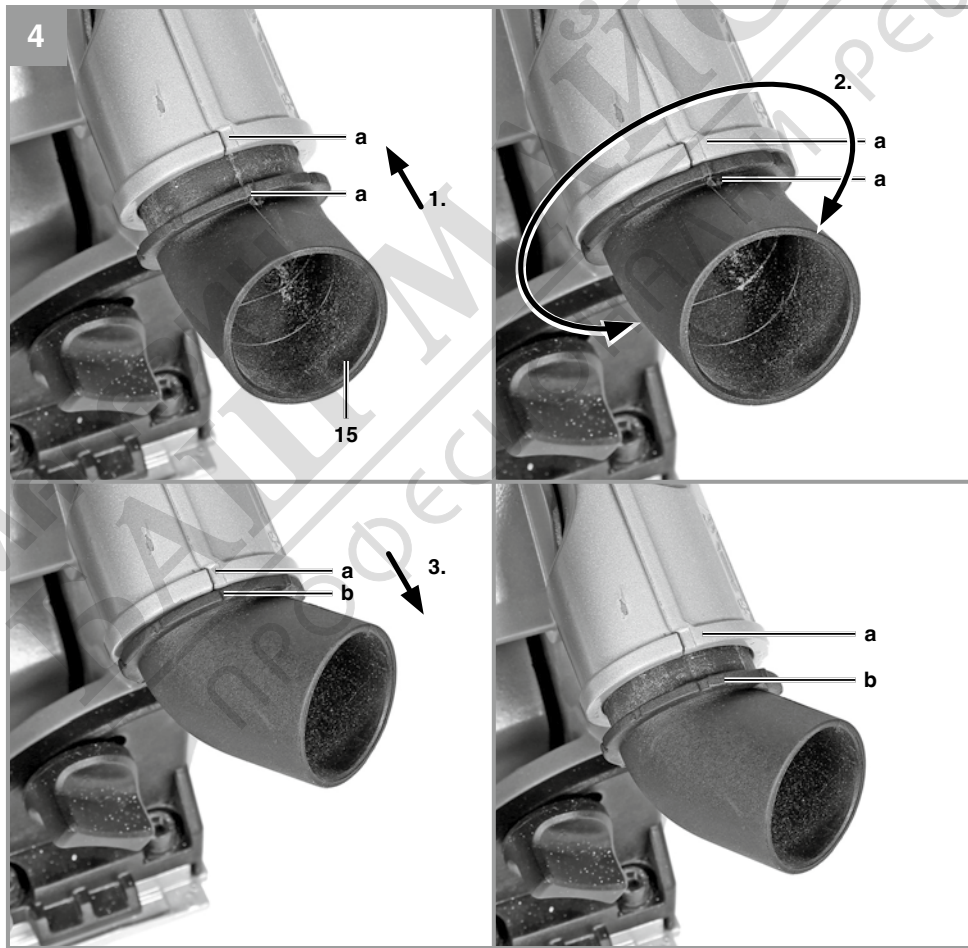
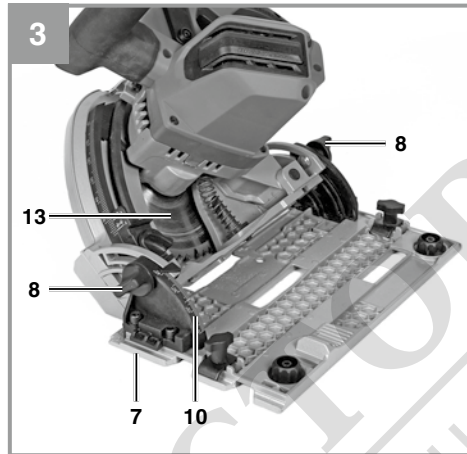
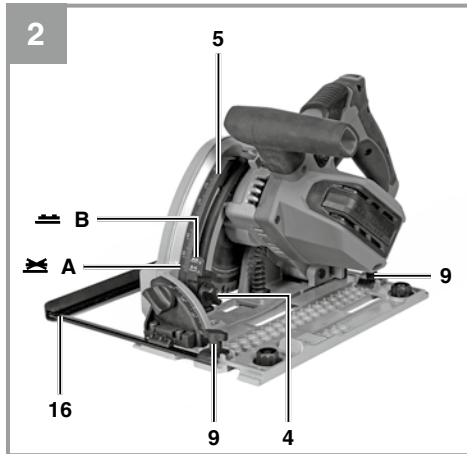
13

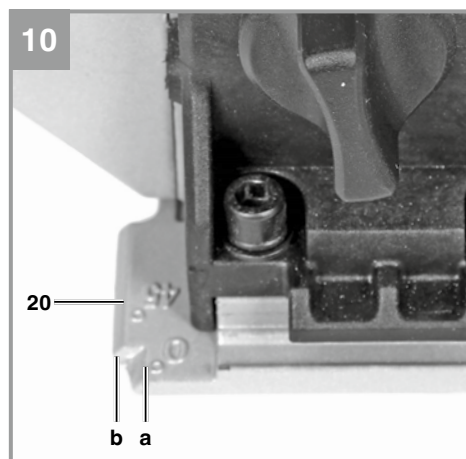
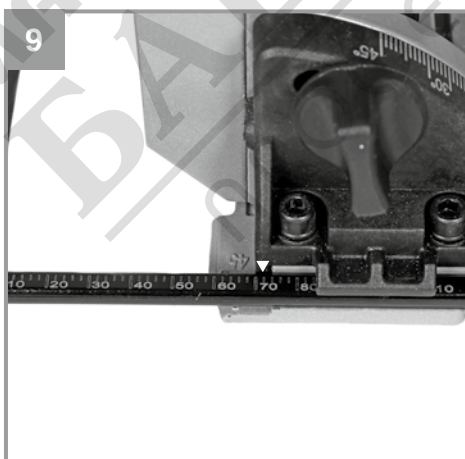
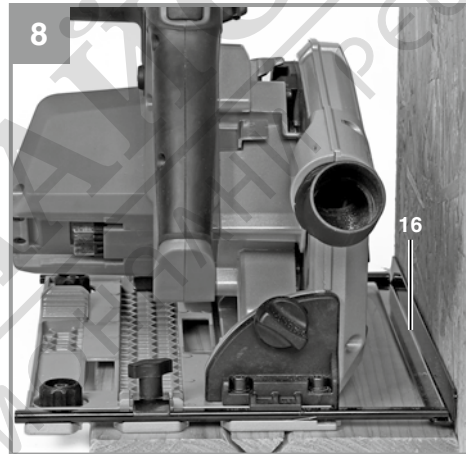
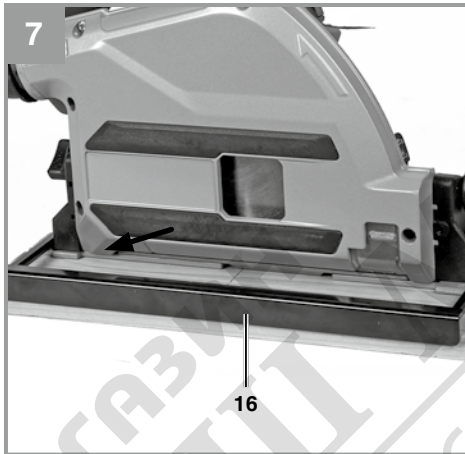
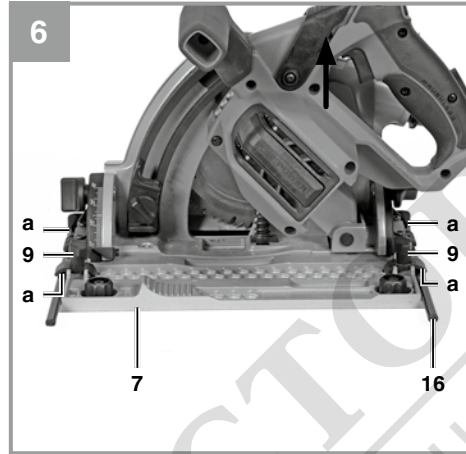
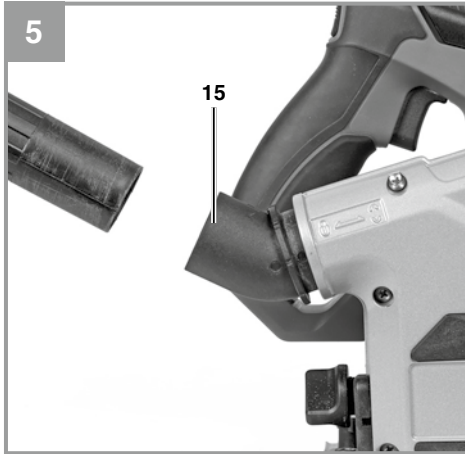


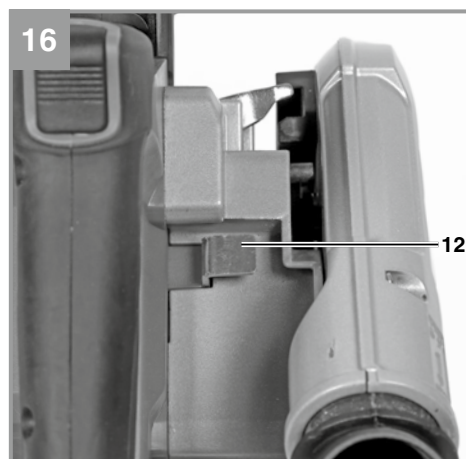
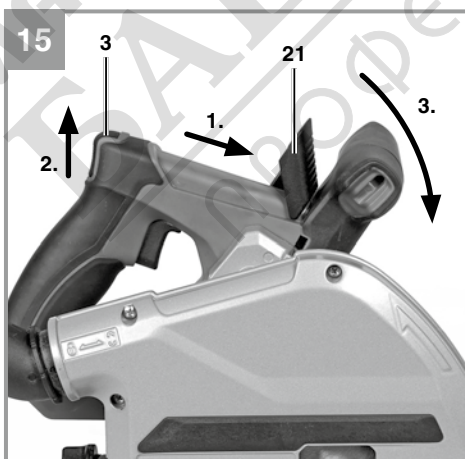
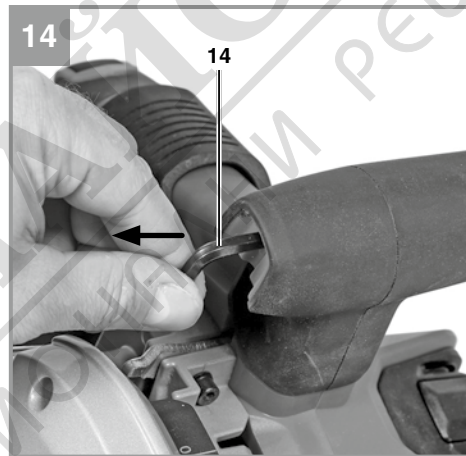
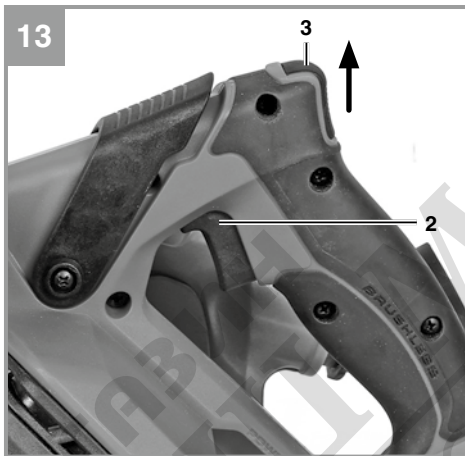
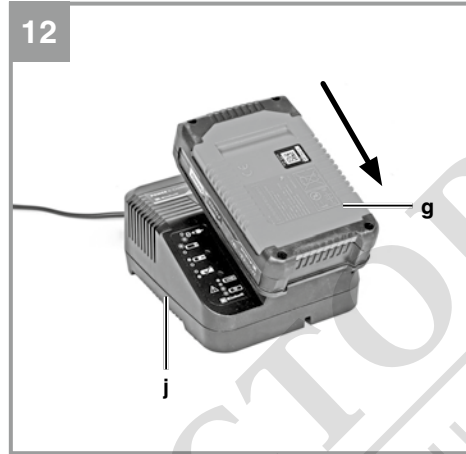
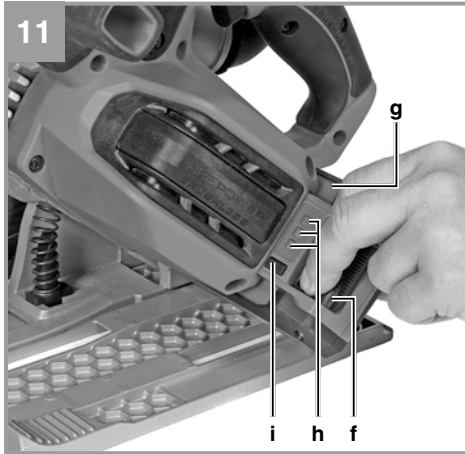
Art.-Nr.: 43.314.00

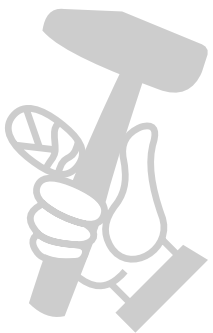
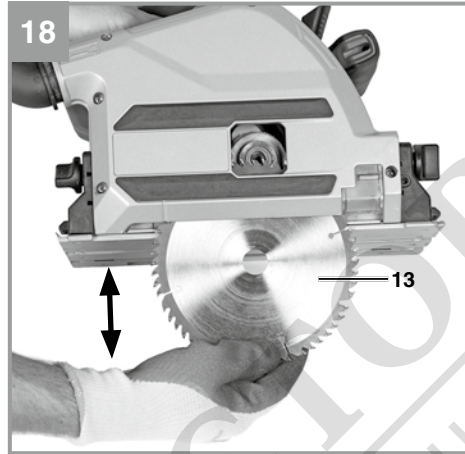
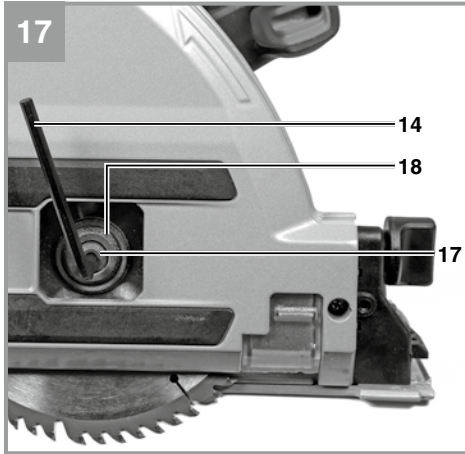
I.-Nr.: 21013











Danger!

When using the equipment, a few safety precautions must be observed to avoid injuries and damage. Please read the complete operating instructions and safety regulations with due care. Keep this manual in a safe place, so that the information is available at all times. If you give the equipment to any other person, hand over these operating instructions and safety regulations as well. We cannot accept any liability for damage or accidents which arise due to a failure to follow these instructions and the safety instructions.

1. Safety regulations

The corresponding safety information can be found in the enclosed booklet.

WARNING!

Read all safety warnings, instructions, illustrations and specifications provided with this power tool. Failure to follow all instructions listed below may result in electric shock, fire and/or serious injury.

Save all warnings and instructions for future reference.

Explanation of the symbols used (see Fig. 19)

1. **Danger!** - Read the operating instructions to reduce the risk of injury.
2. **Caution! Wear ear-muffs.** The impact of noise can cause damage to hearing.
3. **Caution! Wear a breathing mask.** Dust which is injurious to health can be generated when working on wood and other materials. Never use the device to work on any materials containing asbestos!
4. **Caution! Wear safety goggles.** Sparks generated during working or splinters, chips and dust emitted by the device can cause loss of sight.

2. Layout and items supplied**2.1 Layout (Fig. 1a/1b/16/17)**

1. Handle
2. On/Off switch
3. Locking button for On/Off switch
4. Locking screw for sawing depth
5. Scale for sawing depth
6. Battery mount
7. Soleplate
8. Locking levers for miter setting

9. Locking screws for parallel stop
10. Scale for miter angle
11. Additional handle
12. Spindle lock
13. Saw blade
14. Saw blade wrench
15. Connection for sawdust extractor
16. Parallel stop
17. Screw for securing the saw blade
18. Flange
19. Guard hood
20. Line guide
21. Blade lock for changing the saw blade
22. Adjustable window
23. Cutting area

2.2 Items supplied

Please check that the article is complete as specified in the scope of delivery. If parts are missing, please contact our service center or the sales outlet where you made your purchase at the latest within 5 working days after purchasing the product and upon presentation of a valid bill of purchase. Also, refer to the warranty table in the service information at the end of the operating instructions.

- Open the packaging and take out the equipment with care.
- Remove the packaging material and any packaging and/or transportation braces (if available).
- Check to see if all items are supplied.
- Inspect the equipment and accessories for transport damage.
- If possible, please keep the packaging until the end of the guarantee period.

Danger!

The equipment and packaging material are not toys. Do not let children play with plastic bags, foils or small parts. There is a danger of swallowing or suffocating!

- Cordless plunge cut
- Saw blade
- Saw blade wrench
- Parallel stop
- Original operating instructions
- Safety instructions

3. Proper use

The cordless plunge cut saw is designed for sawing straight cuts in wood, wood-type materials and plastics. When you are cutting plastics, avoid overheating the tips of the blade as this could melt the material.

The equipment is to be used only for its prescribed purpose. Any other use is deemed to be a case of misuse. The user / operator and not the manufacturer will be liable for any damage or injuries of any kind caused as a result of this.

4. Technical data

| | |
|-----------------------------|------------------------|
| Motor power supply: | 18 V DC |
| Idling speed: | 5000 min ⁻¹ |
| Cutting depth at 90°: | 56 mm |
| Cutting depth at 45°: | 42 mm |
| Saw blade: | Ø 165 mm |
| Blade holder: | Ø 20 mm |
| Blade thickness: | 1.8 mm |
| Weight: | 4.0 kg |

Danger!

Sound and vibration

Sound and vibration values were measured in accordance with EN 62841.

| | |
|--|-------------|
| L _{PA} sound pressure level | 99,1 dB(A) |
| K _{PA} uncertainty | 3 dB |
| L _{WA} sound power level | 107,1 dB(A) |
| K _{WA} uncertainty | 3 dB |

Wear ear-muffs.

The impact of noise can cause damage to hearing.

Total vibration values (vector sum of three directions) determined in accordance with EN 62841.

Handle

Vibration emission value $a_h < 2,5 \text{ m/s}^2$
K uncertainty = 1.5 m/s²

Additional handle

Vibration emission value $a_h < 2,5 \text{ m/s}^2$
K uncertainty = 1.5 m/s²

The stated vibration emission levels and stated noise emission values were measured in accordance with a set of standardized criteria and can be used to compare one power tool with another.

The stated vibration emission levels and stated noise emission values can also be used to make an initial assessment of exposure.

Warning:

The vibration and noise emission levels may vary from the level specified during actual use, depending on the way in which the power tool is used, especially the type of workpiece it is used for.

Keep the noise emissions and vibrations to a minimum.

- Only use appliances which are in perfect working order.
- Service and clean the appliance regularly.
- Adapt your working style to suit the appliance.
- Do not overload the appliance.
- Have the appliance serviced whenever necessary.
- Switch the appliance off when it is not in use.

Caution!

Residual risks

Even if you use this electric power tool in accordance with instructions, certain residual risks cannot be ruled out. The following hazards may arise in connection with the equipment's construction and layout:

1. Lung damage if no suitable protective dust mask is used.
2. Damage to hearing if no suitable ear protection is used.
3. Health damage caused by hand-arm vibrations if the equipment is used over a prolonged period or is not properly guided and maintained.

5. Before starting the equipment

Warning!

Always remove the battery pack before making adjustments to the equipment.

5.1 Setting the cutting depth (Figure 2)

- Undo the locking screw for the sawing depth (4).
- Now adjust the sawing depth with the help of the scale for the sawing depth (5). Mark A indicates the sawing depth without the guide rail (not supplied) and B the sawing depth with the guide rail fitted.
- Tighten the locking screw (4) again. Check that everything is securely fastened.

Important!

The cutting area of the saw blade using the full sawing depth is indicated by the two marks on the cordless plunge cut saw (23, Fig. 1b).

5.2 Miter stop (Figure 3)

- The preset standard angle between the saw foot (7) and saw blade (13) is 90°. You can adjust this angle to carry out angled cuts.
- Release the locking lever for miter setting (8) on the front of the saw foot.
- You can now adjust the cutting angle to around 46°. Keep an eye on the cutting angle scale (10) as you do so.
- Refasten the locking lever for miter setting (8). Check the handle is securely fastened.

5.3 Extraction of dust and chips (Fig. 4/5)

- Connect your cordless plunge cut saw to a suitable vacuum cleaner using the connection for a dust extractor (15). This will ensure optimum dust extraction from the workpiece. The benefits are that you will protect both the equipment and your own health. Your work area will also be cleaner and safer.
- The connection for a dust extractor (15) can be locked in 8 positions as shown in Fig. 4.
- To do so, press the connection for a dust extractor (15) forwards and turn it to the required position.
- This requires the mark (a) on the housing to coincide with the mark (b) on the connection for a dust extractor (15).
- Then the connection for a dust extractor (15) must be pulled back to the rear.
- The connection for a dust extractor (15) is now locked.

- Dust created when working may be dangerous. Refer to the section entitled "Safety instructions".
- Important! The vacuum cleaner you use for the vacuum extraction must be suitable for the material you are machining.
- Check that all parts are properly joined together.

5.4 Parallel stop (Figure 6-9)

- The parallel stop (16) enables you to saw parallel lines.
- This means that you can cut along an edge (Fig. 7) or a wall (Fig. 8).
- To do so, slacken the locking screws for the parallel stop (9) which are in the soleplate (7) (see Fig. 6).
- To assemble, slide the parallel stop (16) into the guides (a) on the soleplate (7).
- To do so, insert the parallel stop into the plunge saw as shown in Fig. 7 or 8.
- Set the required distance and then tighten the locking screws for the parallel stop (9) again.
- Using the parallel stop: Position the parallel stop (16) flat on the edge of the workpiece and start sawing (Fig. 7/8).

Important! Carry out a trial cut in a piece of waste wood.

5.5 Line guide (Fig. 10)

- Using the line guide (20) you can carry out exact cuts following cutting lines marked on the workpiece.
- In this case the line guide indicates the two positions (a and b) of the saw blades. The first position (a) is for cuts with a sawing setting of 0°/90°. The second position (b) is for 45° cuts.
- For information on the angle setting see 5.2.

Important! Carry out a trial cut in a piece of waste wood.

5.6 Charging the LI battery pack (Fig. 11-12)

1. Remove the battery pack (g) from the handle, pressing the pushlock buttons (f) downwards to do so.
2. Check that your mains voltage is the same as that marked on the rating plate of the battery charger. Insert the power plug of the charger (j) into the mains socket outlet. The green LED will then begin to flash.
3. Push the battery pack onto the battery charger.

In section 10 "Charger indicator" you will find a table with an explanation of the LED indicator on the charger.

Important!

Only use the rechargeable battery and charger when dry and with an ambient temperature of 10-40°C.

Store the rechargeable battery, cordless tool and charger in a dry place with an ambient temperature of: Rechargeable battery = 10-20°C
Cordless tool, charger = 10-40°C.

If the battery pack fails to become charged, please check

- whether there is voltage at the socket-outlet
- whether there is proper contact at the charging contacts on the charger.

If the battery still fails to become charged, please return

- the charger
- the battery pack

to our Customer Service Department.

To ensure that items are properly packaged and delivered when you send them to us, please contact our customer service or the point of sale at which the equipment was purchased.

When shipping or disposing of batteries and cordless tools, always ensure that they are packed individually in plastic bags to prevent short circuits and fires.

To ensure that the battery pack provides long service, you should take care to recharge it promptly. You must recharge the battery pack when you notice that the performance of the device drops. Never allow the battery pack to become fully discharged. This will cause it to develop a defect.

5.7 Battery capacity indicator (Fig. 11 – Item h)

Press the battery capacity indicator switch (i). The battery capacity indicator (h) shows the charge status of the battery using 3 LEDs.

All 3 LEDs are lit:

The battery is fully charged.

2 or 1 LED(s) are lit:

The battery has an adequate remaining charge.

1 LED blinks:

The battery is empty, recharge the battery.

All LEDs blink:

The battery temperature is too low. Remove the battery from the equipment, keep it at room temperature for one day. If the fault reoccurs, this means that the rechargeable battery has undergone exhaustive discharge and is defective. Remove the battery from the equipment. Never use or charge a defective battery.

6. Operation

6.1 Working with the plunge saw

- Always grip the cordless plunge cut saw firmly.
- Do not use force! Push the cordless plunge cut saw forwards in a gentle and even manner.
- The waste piece should be on the right-hand side of the cordless plunge cut saw so that the wide section of the support bench supports its full area.
- If you are sawing along a previously drawn line, guide the cordless plunge cut saw along the corresponding guide (see 5.5).
- Clamp small pieces of wood securely before sawing them. Never hold them with your hand.
- Always follow the safety instructions. Wear safety goggles.
- Do not use defective saw blades or blades that are cracked or broken.
- Do not use any flanges / flange nuts whose bore hole is larger or smaller than those in the saw blade.
- The saw blade must not be decelerated by hand or by applying lateral pressure to the blade.
- Before you use the machine, make sure that the safety equipment such as the flanges and adjustment devices are in working order and are correctly adjusted and secured.

Warning!

Always remove the battery pack before making adjustments to the equipment.

6.2 Using the plunge saw

- Adjust the cutting depth, cutting angle and parallel stop (see section 5.1, 5.2 and 5.4)
- Do not switch on the plunge saw until you

- have fitted a saw blade.
- Place the soleplate on the workpiece you want to saw. The saw blade must not be in contact with the workpiece.
- Now hold the cordless plunge cut saw firmly with both hands.

6.3 Switching On/Off (Fig. 13)

Switching on:

Slide the locking button (3) up and then press the On/Off switch (2).

- Allow the saw blade to accelerate until it reaches full speed. Then slowly move the saw blade along the cutting line. Only exert gentle pressure on the saw blade as you do so.

To switch off:

Release the locking button and ON/OFF switch

- If you release the handle the equipment will shut down automatically which means that it cannot operate accidentally.
- Ensure that you do not cover or block the ventilation openings whilst working with the tool.
- Do not slow down the saw blade after you switch it off by pressing it sideways.
- Important! Do not put down the machine until the saw blade has reached a complete standstill.

Important. Carry out a trial cut in a piece of waste wood

6.4 Changing the saw blade (Fig. 14-18)

Warning!

Always remove the battery pack before making adjustments to the equipment.

Use only saw blades which comply with standard EN 847-1 and are of the same type as the saw blade supplied with this circular saw. Ask your dealer for advice.

Use the saw blade key (14) supplied to change the saw blade. The saw blade key (14) is stored in the housing. If required, pull the saw blade key (14) out of the housing (see Figure 10).

Caution! The plunge saw must not be operated with the saw blade key (14) inserted in it.

- Set the sawing depth to the maximum possible value (see section 5.1)
- Slide the blade lock for changing the saw blade (21) fully forward (Fig. 11).

- Slide the locking button for the On/Off switch (3) up and press the handle down until you hear it click into place (Fig. 11). The saw blade will now remain in this position automatically.
- Now press the spindle lock (12) (Fig. 12).
- Remove the screw for securing the saw blade (17) using the saw blade key (14) (Fig. 13).
- Now remove the flange (18) and the saw blade (13) (Fig. 14).
- Clean the flange and fit the new saw blade. Make sure that the direction of rotation is correct when doing so (see the arrows on the saw blade and guard hood)!
- Tighten the screw for securing the saw blade (17) and check that the blade runs true.
- Now slide the blade lock for changing the saw blade (21) fully back. The saw blade will go down behind the guard hood (19) again.
- Before you press the On/Off switch, make sure that the saw blade is correctly fitted and that moving parts run smoothly and the clamping screws are tightened securely.

7. Cleaning, maintenance and ordering of spare parts

Danger!

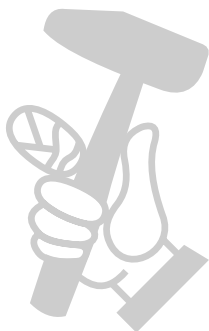
Always pull out the mains power plug before starting any cleaning work.

7.1 Cleaning

- Keep all safety devices, air vents and the motor housing free of dirt and dust as far as possible. Wipe the equipment with a clean cloth or blow it with compressed air at low pressure.
- We recommend that you clean the device immediately each time you have finished using it.
- Clean the equipment regularly with a moist cloth and some soft soap. Do not use cleaning agents or solvents; these could attack the plastic parts of the equipment. Ensure that no water can seep into the device. The ingress of water into an electric tool increases the risk of an electric shock.

7.2 Maintenance

There are no parts inside the equipment which require additional maintenance.



7.3 Ordering replacement parts:

Please quote the following data when ordering replacement parts:

- Type of machine
- Article number of the machine
- Identification number of the machine
- Replacement part number of the part required

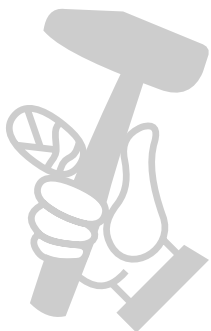
For our latest prices and information please go to www.Einhell-Service.com

8. Disposal and recycling

The equipment is supplied in packaging to prevent it from being damaged in transit. The raw materials in this packaging can be reused or recycled. The equipment and its accessories are made of various types of material, such as metal and plastic. Never place defective equipment in your household refuse. The equipment should be taken to a suitable collection center for proper disposal. If you do not know the whereabouts of such a collection point, you should ask in your local council offices.

9. Storage

Store the equipment and accessories in a dark and dry place at above freezing temperature. The ideal storage temperature is between 5 and 30 °C. Store the electric tool in its original packaging.



10. Charger indicator

| Indicator status | | Explanations and actions |
|------------------|-----------|---|
| Red LED | Green LED | |
| Off | Flashing | Ready for use The charger is connected to the mains and is ready for use; there is no battery pack in the charger |
| On | Off | Charging The charger is charging the battery pack in quick charge mode. The charging times are shown directly on the charger. Important! The actual charging times may vary slightly from the stated charging times depending on the existing battery charge. |
| Off | On | The battery is charged and ready for use. (READY TO GO) The unit then changes over to gentle charging mode until the battery is fully charged. To do this, leave the rechargeable battery on the charger for approx. 15 minutes longer. Action: Take the battery pack out of the charger. Disconnect the charger from the mains supply. |
| Flashing | Off | Adapted charging For safety reasons the charging is performed less quickly and takes more time. The reasons can be: - The battery pack has not been used for a very long time or an already flat battery was further discharged (exhaustive discharge). - The battery pack temperature is outside the ideal range (between 10° C and 40 °C). Action: Wait for the charging to be completed; you can still continue to charge the battery pack. |
| Flashing | Flashing | Fault Charging is no longer possible. The battery pack is defective. Action: Never charge a defective battery pack. Take the battery pack out of the charger. |
| On | On | Temperature fault The battery pack is too hot (e.g. due to direct sunshine) or too cold (below 0° C). Action: Remove the battery pack and keep it at room temperature (approx. 20° C) for one day . |

Disposal

Power tools, rechargeable batteries, accessories and packaging should be sorted for environmental-friendly recycling.

Do not dispose of power tools and batteries/rechargeable batteries into household waste!

Only for EU countries:

According to the Directive 2012/19/EU on waste electrical and electronic equipment and its transposition into national law, power tools that are no longer usable, and, according to the Directive 2006/66/EC, defective or drained batteries must be collected separately and disposed of in an environmentally correct manner.

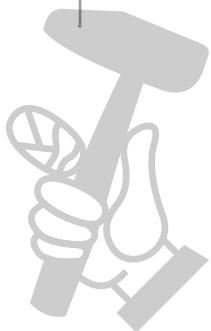
If disposed incorrectly, waste electrical and electronic equipment may have harmful effects on the environment and human health, due to the potential presence of hazardous substances.

Only for United Kingdom:

According to The Waste Electrical and Electronic Equipment Regulations 2013 (SI 2013/3113) (as amended) and the Waste Batteries and Accumulators Regulations 2009 (SI 2009/890) (as amended), products that are no longer usable must be collected separately and disposed of in an environmentally friendly manner.

The reprinting or reproduction by any other means, in whole or in part, of documentation and papers accompanying products is permitted only with the express consent of the Einhell Germany AG.

Subject to technical changes.



Service information

We have competent service partners in all countries named on the guarantee certificate whose contact details can also be found on the guarantee certificate. These partners will help you with all service requests such as repairs, spare and wearing part orders or the purchase of consumables.

Please note that the following parts of this product are subject to normal or natural wear and that the following parts are therefore also required for use as consumables.

| Category | Example |
|---------------|-----------|
| Wear parts* | Battery |
| Consumables* | Saw blade |
| Missing parts | |

* Not necessarily included in the scope of delivery!

In the effect of defects or faults, please register the problem on the internet at www.Einhell-Service.com. Please ensure that you provide a precise description of the problem and answer the following questions in all cases:

- Did the equipment work at all or was it defective from the beginning?
- Did you notice anything (symptom or defect) prior to the failure?
- What malfunction does the equipment have in your opinion (main symptom)? Describe this malfunction.



Warranty certificate

Dear Customer,

All of our products undergo strict quality checks to ensure that they reach you in perfect condition. In the unlikely event that this equipment develops a fault, please contact our service department at the address shown on this guarantee card. You can also contact us by telephone using the service number shown. Please note the following terms under which guarantee claims can be made:

1. These guarantee terms apply solely to consumers, i.e. natural persons, who do not want to use this product in connection with either their commercial or other self-employed activities. These guarantee terms regulate additional guarantee services which the undermentioned manufacturer promises to buyers of its new products in addition to their statutory rights of guarantee. Your statutory rights of guarantee are not affected by this guarantee. Our guarantee is free of charge to you.
2. The guarantee services cover only defects due to material or manufacturing faults on the new product which you have bought in the European Union from the undermentioned manufacturer and are limited to either the rectification of said defects or the replacement of the product, whichever we prefer. Please note that only equipment under the brand name "Professional" has been designed for use in commercial, trade or professional applications. For all other products the guarantee is invalidated if the equipment is used within the guarantee period in commercial, trade or industrial applications or for other equivalent activities.
3. Our guarantee does not cover:
 - Damage to the equipment caused by failure to comply with the installation/assembly instructions or by unprofessional installation; damage caused by failure to comply with the operating instructions (e.g. connection to the wrong mains voltage or current type); damage caused by failure to comply with the maintenance and safety regulations; damage caused by exposing the equipment to abnormal environmental conditions; damage resulting from poor care and maintenance.
 - Damage to the equipment caused by misuse or incorrect applications (e.g. overloading the equipment or using non-approved attachments or accessories); damage caused by foreign bodies (e.g. sand, stones, dust, ...) getting inside the equipment. Damage in transit; damage caused by force or external influences (e.g. by dropping the equipment).
 - Damage to the equipment or parts of the equipment which is owed to use-related, normal or otherwise natural wear. For example, batteries and battery packs are manufactured with a cycle limit for design-related reasons. Wear is negatively influenced in particular by load demands and charging speeds as well as exposure to heat, cold, vibration and impact.
4. The guarantee is valid for a period of 2 years starting from the purchase date of the equipment. Guarantee claims must be submitted before the end of the guarantee period and within two weeks of the defect being noticed. No guarantee claims will be accepted after the end of the guarantee period. The original guarantee period remains applicable to the equipment even if repairs are carried out or parts are replaced. In such cases, the work performed or parts fitted will not result in an extension of the guarantee period, and no new guarantee will become active for the work performed or for any replacement parts fitted. This also applies if on-site service is used.
5. To assert your guarantee claim, register the defective equipment at: www.Einhell-Service.com. You will need to provide proof of purchase of the new item of equipment. Equipment returned without such proof or without a rating plate are excluded from the guarantee services because of the lack of traceability. If the defect is covered by our guarantee, then either the item in question will be repaired immediately and returned to you or we will send you a new replacement.
6. If you have taken the equipment with you to a different EU country than where you bought it, we will arrange for a local service partner to provide the guarantee services. If you take the equipment outside the EU, the guarantee will not apply.

Of course, we are also happy to offer a chargeable repair service for any defects which are not covered or no longer covered by the scope of this guarantee. To take advantage of this service, please send the equipment to our service address. We draw attention to the restrictions of this guarantee concerning wear parts, consumables and missing parts as presented in the service information included in this operating manual.

Warrantor/ Service:

Einhell UK Ltd, Unit 10, 1st Floor, Champion's Business Park, Arroe Brook Road, Upton, Wirral, CH49 0AB

