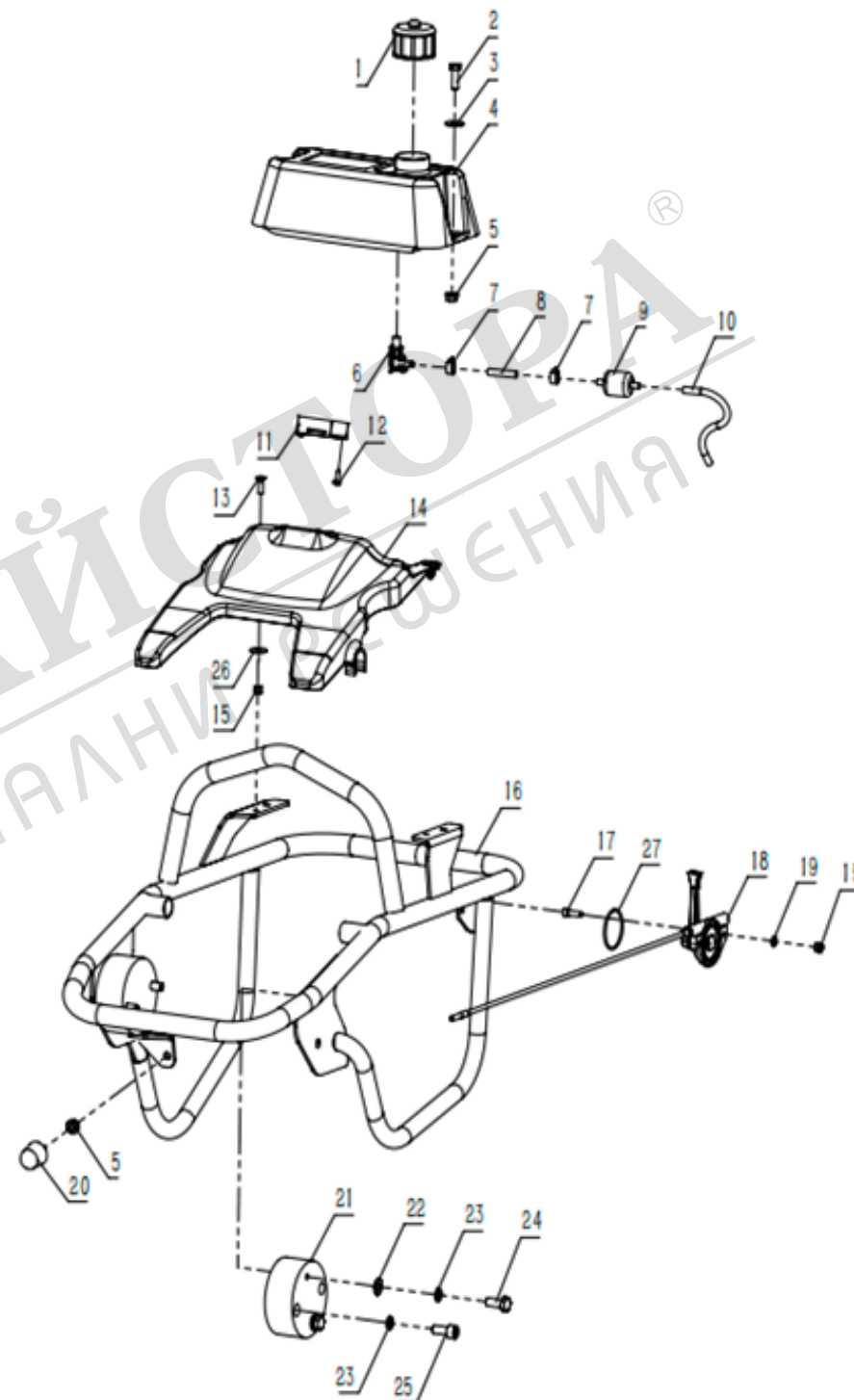




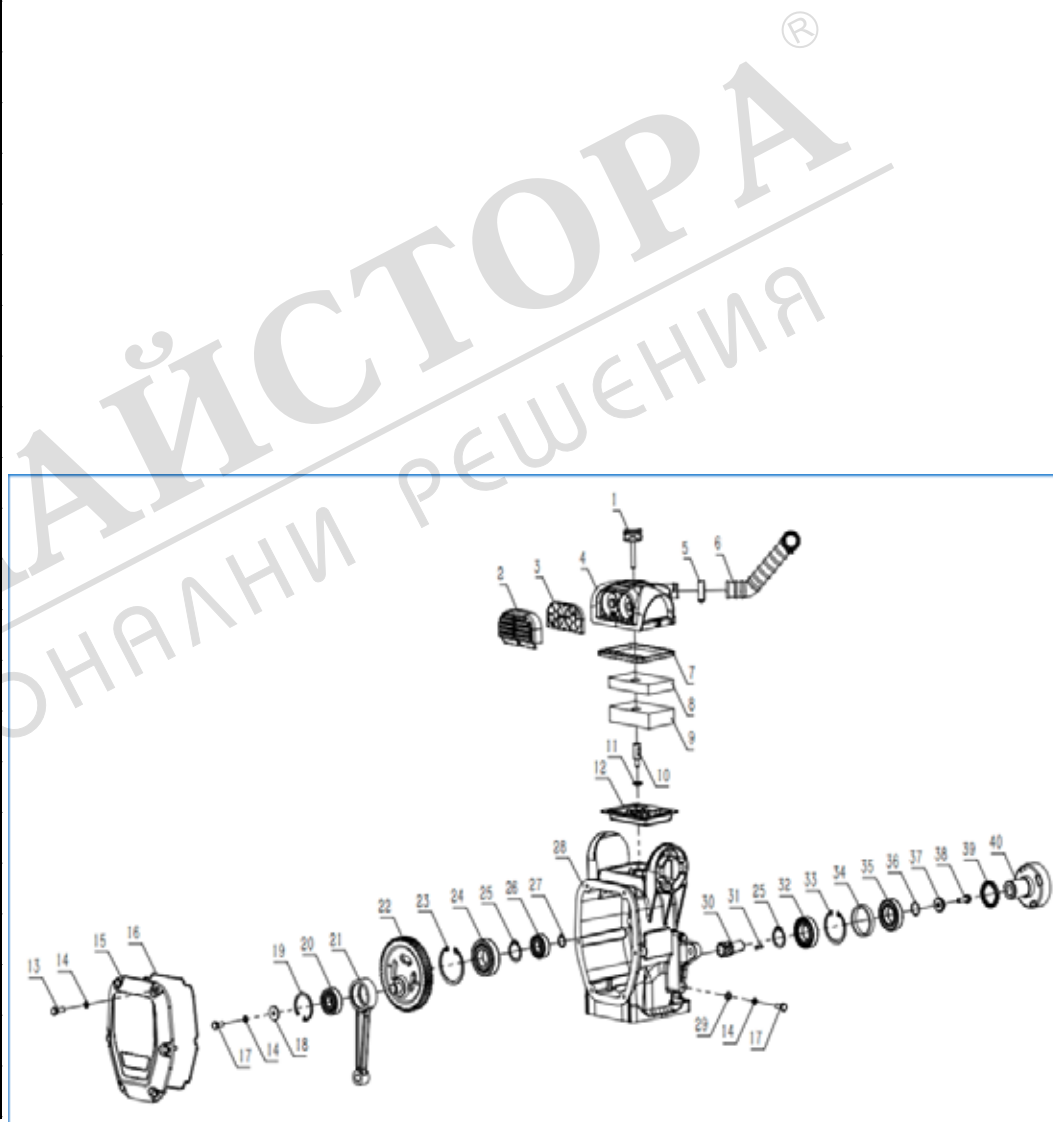
## MC77H-GXR PARTS LIST

ERP Code	Part No.	Description	QTY
	<b>A</b>	<b>Protetive frame Assy</b>	
3140200015	A-01	Cap, Fuel tank	1
4010100032	A-02	Hexagon bolt M8×25	2
4040200003	A-03	Big flat washer φ8	2
3140200014	A-04	Fuel tank	1
4020300003	A-05	Hex nut with flange M8	3
3140200004	A-06	Fuel cock	1
3140200011	A-07	Fuel hose clamp	2
3140200005	A-08	Fuel hose	1
3140206402	A-09	Fuel filter	1
3140200005	A-10	Fuel hose	1
3140000442	A-11	Timer	1
4012200033	A-12	Cross recessed pan head tapping screw M5×16	2
4011300032	A-13	Socket counter-sunk bolt M6×20	2
3141800002	A-14	Plastic cover	1
4020100003	A-15	Lock nut M6	4
3141800003	A-16	Protetive frame	1
4010400017	A-17	Socket head bolt M6×20	2

version:24-0620



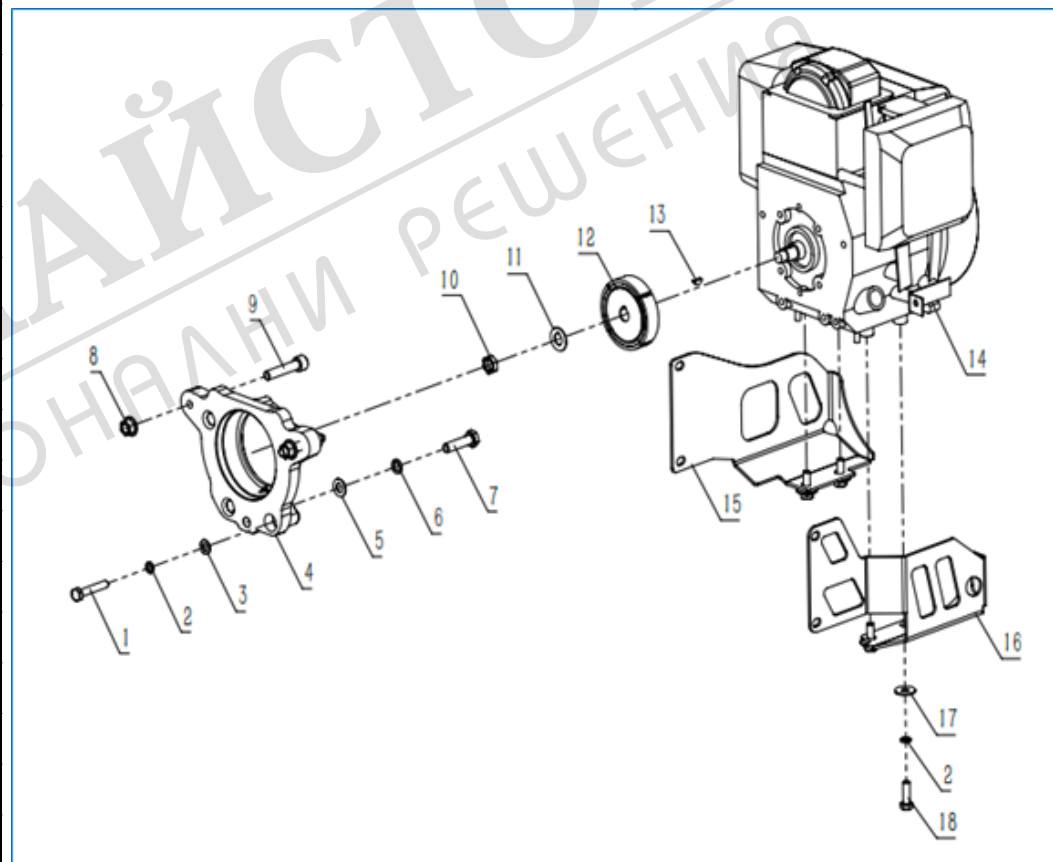
3140000294	A-18	Throttle lever L670	1
4040100003	A-19	Flat washer φ6	2
3140200017	A-20	Bumper	1
3140200016	A-21	Shock absorber	2
4040100005	A-22	Flat washer φ10	4
4030100006	A-23	Spring washer φ10	8
4010100074	A-24	Hexagon bolt M10×25	4
4010400081	A-25	Socket head bolt M10×25	4
4040300002	A-26	Big flat washer φ6	2
3140000145	A-27	O-ring seal φ53×3.5	1
	<b>B</b>	<b>Crankcase Assy</b>	
3141800005	B-01	Screw, sec-air filter	1
3141800006	B-02	Air inlet hood	1
3141800007	B-03	Seal plate	1
3141800008	B-04	Cover, sec-air filter	1
3140200025	B-05	Clamp	2
3140200026	B-06	Syphon, sec-air filter	1
3141800009	B-07	Strip	1
3141800010	B-08	Sponge	1
3141800011	B-09	Sponge	1
3141800012	B-10	Fixed screw	1
3141800014	B-11	Washer	1
3141800016	B-12	Bottom cover	1



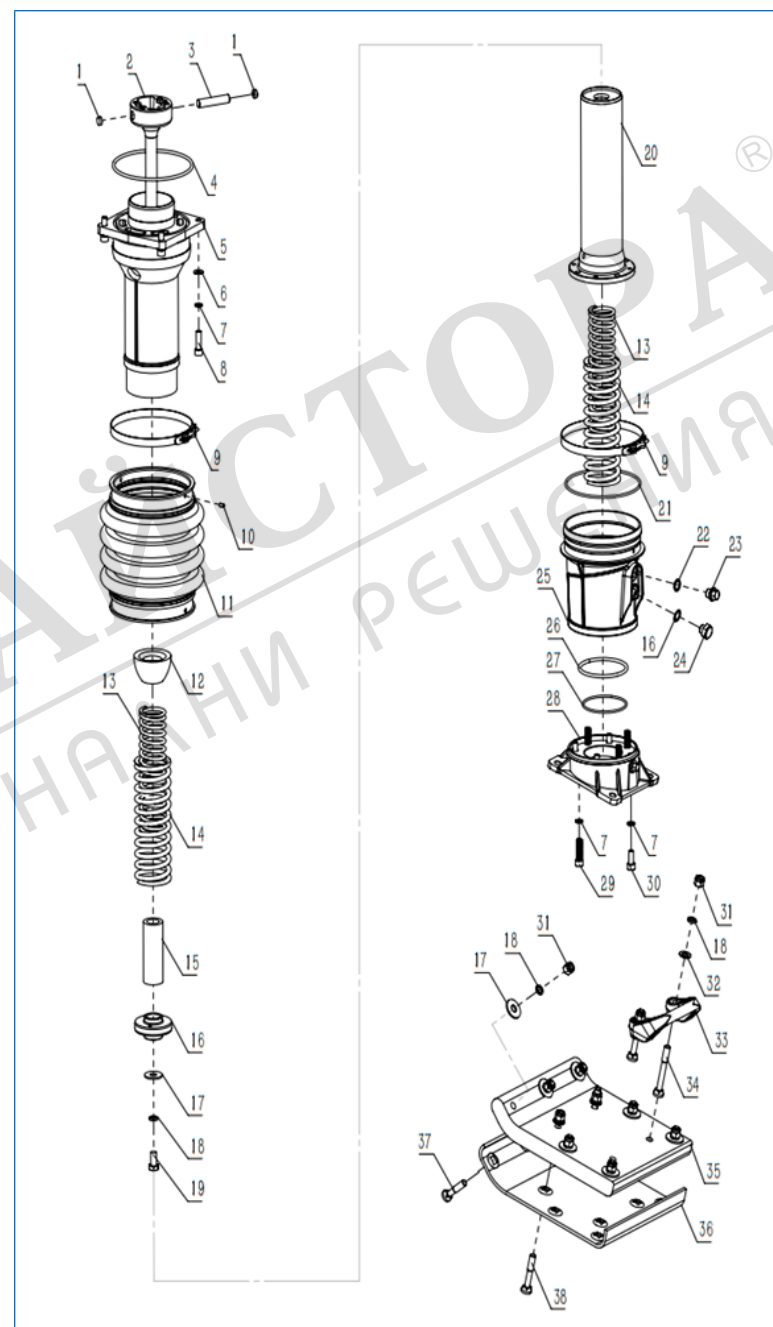
4010100032	B-13	Hexagon bolt M8×25	6
4030100005	B-14	Spring washer φ8	11
3141800017	B-15	Front cover	1
3141800019	B-16	Seal 2.65mm	1
4010400033	B-17	Hexagon bolt M8×20	5
4040300003	B-18	Big flat washer φ8	1
4070100034	B-19	Bore circlip φ52	1
4060100147	B-20	Deep groove ball bearing 6304	1
3090206092	B-21	Connecting rod	1
3141800020	B-22	Gear 59×2.25	1
4070100044	B-23	Bore circlip φ72	1
4060100134	B-24	Deep groove ball bearing 6207	1
4070200024	B-25	Shaft circlip φ35	2
4060100146	B-26	Deep groove ball bearing 6204	1
4070200013	B-27	Shaft circlip φ20	1
3141800021	B-28	Crankcase	1
4040100004	B-29	Flat washer φ8	4
3141800023	B-30	Gear 10×2.25	1
4050200014	B-31	Flat key 5×20	1
4060100034	B-32	Deep groove ball bearing 6007-Z	1
4070100039	B-33	Bore circlip φ62	1
3141800024	B-34	Bushing, bearing	1
4060100144	B-35	Deep groove ball bearing 6007-2Z	1

МАЙСТОРА®  
 ПРОФЕСИОНАЛНИ РЕШЕНИЯ

4080100052	B-36	O-ring seal 21.2×2.65	1
3030200030	B-37	Bushing, clutch drum	1
4011200027	B-38	Hex bolt with flange M8×25	1
4080300053	B-39	Oil seal 40×52×7	1
3141800025	B-40	Clutch drum	1
	<b>C</b>	<b>Engine Assy</b>	
4010100044	C-01	Hexagon bolt M8×45	4
4030100005	C-02	Spring washer φ8	8
4040100004	C-03	Flat washer φ8	4
3060205027	C-04	Connecting plate	1
4040100005	C-05	Flat washer φ10	1
4030100006	C-06	Spring washer φ10	1
4010100041	C-07	Hexagon bolt M10×40	1
4020300004	C-08	Hex nut with flange M10	2
4010400096	C-09	Socket head bolt M10×50	2
4020500003	C-10	Hex thin nut M12	1
3140200023	C-11	Lock washer	1
3080200024	C-12	Clutch Assy 15mm	1
4050300001	C-13	Woodruff key 4mm	1
3150200034	C-14	Engine	1
3020205038	C-15	Protective guard (L)	1,5
3020205036	C-16	Protective guard (R)	1,5
4040200003	C-17	Big flat washer φ8	4



4010100032	C-18	Hexagon bolt M8×25	4
	<b>D</b>	<b>Foot plate Assy</b>	
3010206001	D-01	Nylon plug	2
3141800028	D-02	Piston rod	1
3010206002	D-03	Piston pin	1
4080100260	D-04	O-ring seal 160×5.3	1
3141800029	D-05	Guide cylinder	1
4040100005	D-06	Flat washer φ10	4
4030100006	D-07	Spring washer φ10	12
4010400087	D-08	Socket head bolt M10×35	4
3140205048	D-09	Clamp	2
4090300009	D-10	Pin 6×10	2
3140205056	D-11	Germany Made Bellows Dia.160mm	1
3140206005	D-12	Shock absorber	1
3141800031	D-13	Inner spring	2
3141800032	D-14	Outer spring	2
3140206006	D-15	Stopper,lower	1
3141800033	D-16	Central plate	1
4040200005	D-17	Big flat washer φ12	8
4030100007	D-18	Spring washer φ12	12
4010300009	D-19	Hexagon bolt M12×1.5	1
3141800034	D-20	Spring cylinder	1
4080100255	D-21	O-ring seal 152×4	1



4040500003	D-22	Copper washer $\phi$ 16	2
4012500010	D-23	Oil plug bolt M16×1.5×24	1
4012700001	D-24	Level gauge ,M16×1.5×10	1
3070210001	D-25	Protective sleeve	1
4080100209	D-26	O-ring seal 105×5.7	1
4080100185	D-27	O-ring seal 87.5×3.55	1
3060205668	D-28	Foot plate	1
4010400092	D-29	Socket head bolt M10×40	4
4010400083	D-30	Socket head bolt M10×25	4
4020200007	D-31	Lock nut M12	11
4040100006	D-32	Flat washer $\phi$ 12	4
3140200028	D-33	Handle on foot plate	1
4010900024	D-34	Sunk head bolt M12*100	2
3050204084	D-35	Rubber base plate	1
3050204085	D-36	Base plate	1
4010900006	D-37	Sunk head bolt M12*60	7
4010900015	D-38	Sunk head bolt M12*75	2



МАЙСТОРА®  
 ПРОФЕСІОНАЛНИ РЕШЕНИЯ