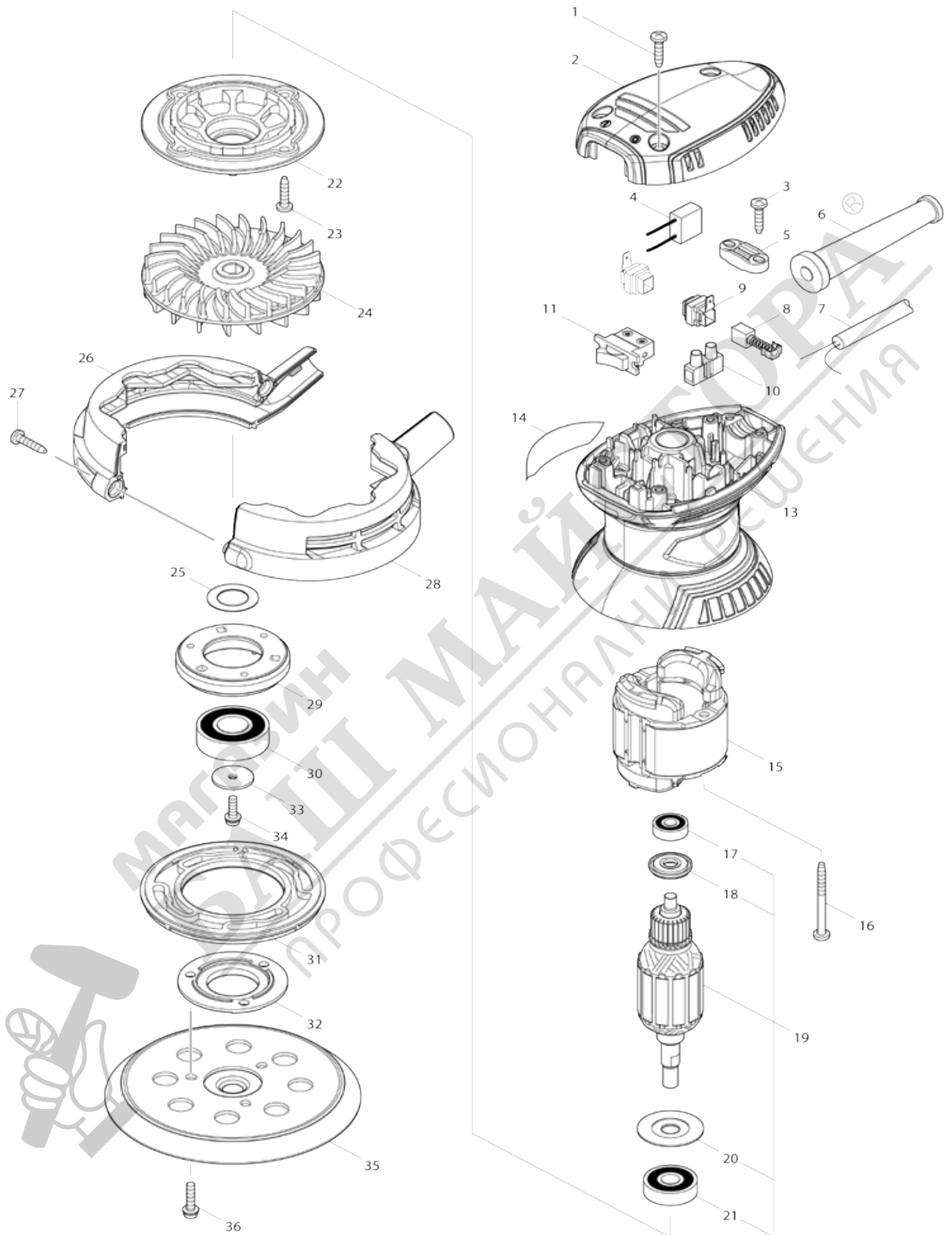


Model No.M9204 125MM RANDOM ORBIT SANDER



Model No.M9204 125MM RANDOM ORBIT SANDER

Item No.	Parts No.	Description	Interchangability	Q'ty	New/Old	Note1	Note2
001	266326-2	TAPPING SCREW 4X18		3			
002	452778-5	TOP COVER		1			
003	266326-2	TAPPING SCREW 4X18		2			
004	645228-9	NOISE SUPPRESSOR		1			
005	687124-5	STRAIN RELIEF		1			
006	682569-2	CORD GUARD 8-85		1	*		
006-1	682583-8	CORD GUARD	O	1			
007	665383-1	POWER SUPPLY CORD 1.0-2-2.0		1	*		
007-1	695556-2	POWER SUPPLY CORD 1.0-2-2.0	O	1	*		
007-2	665383-1	POWER SUPPLY CORD 1.0-2-2.0	O	1			
008	191962-4	CARBON BRUSH CB-419		1	*		
008-1	195015-1	CARBON BRUSH SET CB-419	O	1			
009	643995-0	BRUSH HOLDER		2			
010	654532-5	TERMINAL BLOCK 1P		1			
011	651527-9	SWITCH		1			
013	456560-4	MOTOR HOUSING		1			
014	852B84-4	M9204 NAME PLATE		1			
015	633688-7	FIELD 220-240V		1			
016	266425-0	TAPPING SCREW 4X45		2			
017	210028-2	BALL BEARING 606ZZ		1			
018	681675-0	INSULATION WASHER		1			
019	510251-2	ARMATURE ASS'Y 220-240V		1			
019		INC. 17,18,20,21					
020	267806-1	WASHER 9		1			
021	211092-6	BALL BEARING 629DDW		1			
022	450672-5	BRACKET		1			
023	266326-2	TAPPING SCREW 4X18		4			
024	241673-2	FAN 88		1			
025	267164-5	FLAT WASHER 15		1			
026	187059-5	SKIRT SET		1	*		
026		INC. 28			*		
026-1	183S19-9	SKIRT SET	<	1			
026-1		INC. 28					
027	266326-2	TAPPING SCREW 4X18		2			
028	187059-5	SKIRT SET		1	*		
028		INC. 26			*		
028-1	183S19-9	SKIRT SET	<	1			
028-1		INC. 26					
029	318304-9	BEARING BOX		1			
030	211228-7	BALL BEARING 6202DDW		1			
031	424131-5	BRAKE RING		1			
032	318303-1	BEARING BOX COVER		1			
033	253739-6	FLAT WASHER 4		1			
034	265099-4	PAN HEAD SCREW M4X14		1			
035	743081-8	PAD 123		1			
036	265112-8	+PAN HEAD SCREW M4X18		3			
A01	161431-9	DUST BAG		1	*		

A01-1	136402-5	DUST BAG ASSY	<	1		
C10	161431-9	DUST BAG		1		
A01-1		INC. A02-A04				
A02	257202-1	RING 25		1		
A03	416063-0	DUST BAG NOZZLE		1		
A04	416064-8	DUST NOZZLE		1		
A05	794544-7	ABRASIVE DISC 125 #120		1		
F01	197468-0	PAD 123 SET(EU)		1		

Please state Parts No. when your order.

Print Date 02/10/2024

МАГАЗИН
БАШ МАЙСТОРА®
ПРОФЕСИОНАЛНИ РЕШЕНИЯ

