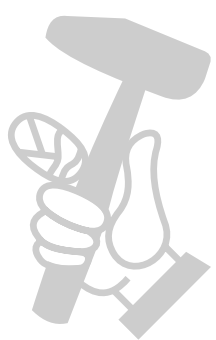
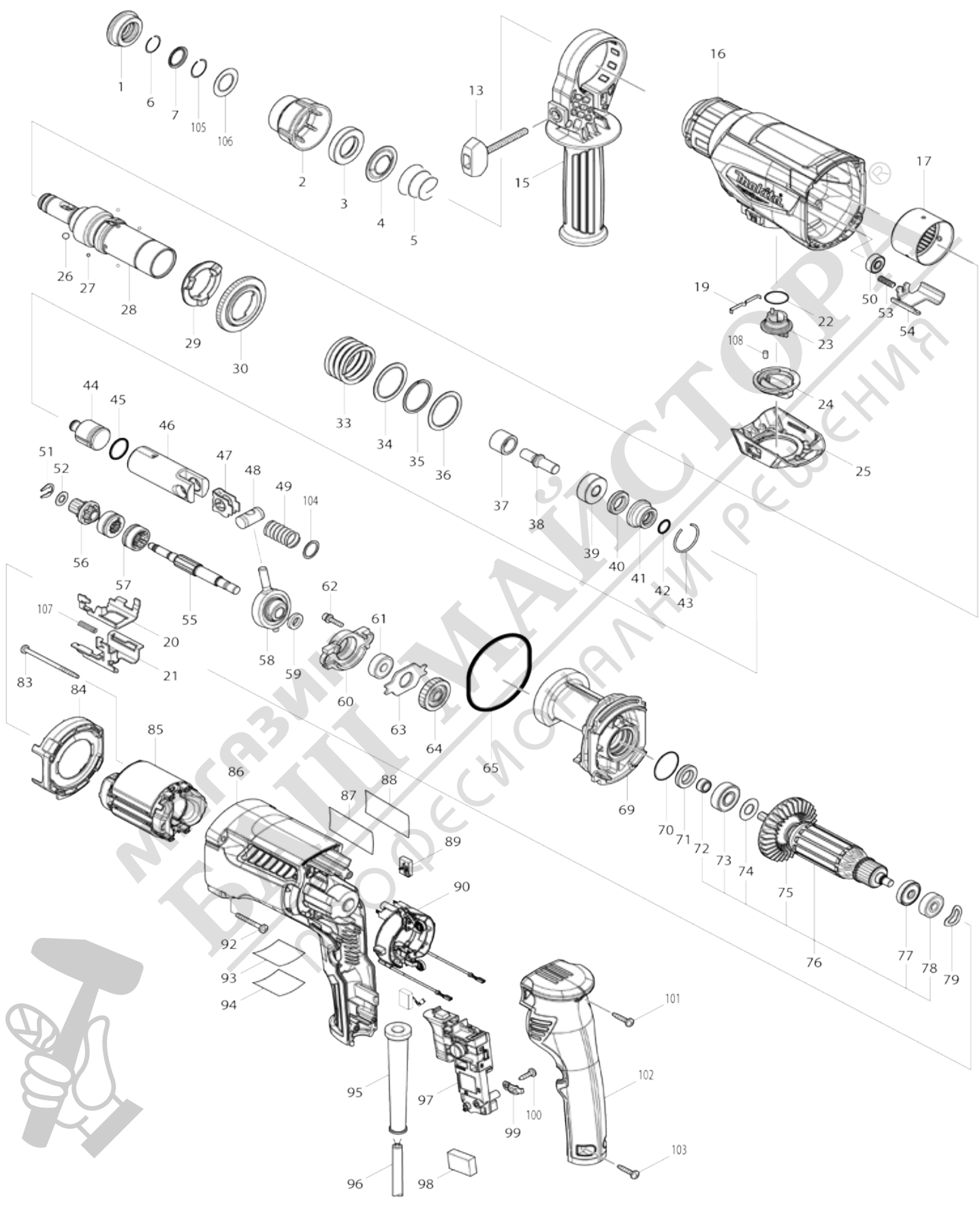


Model No.M8701 26MM COMBINATION HAMMER



Model No.M8701 26MM COMBINATION HAMMER

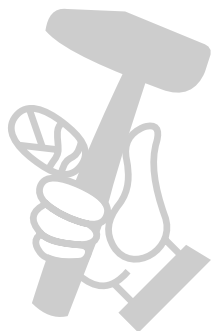
Item No.	Parts No.	Description	Interchangability	Q'ty	New/Old	Note1	Note2
001	286288-8	Cap 35		1			
002	456529-8	Chuck cover		1	*		
002-1	455393-4	Chuck cover	<	1			
003	325813-1	Ring 21		1			
004	346177-0	Guide washer		1			
005	233916-6	Conical compression spring 21-29		1			
006	233989-9	Ring spring 14		1			
007	346834-0	Washer 16		1			
013	265795-4	Thumb screw M6X52		1	*		
013-1	265D68-9	Thumb screw M6X52	O	1			
015	452985-0	Grip 34		1			
016	144216-8	Gear housing complete		1			
C10	213636-8	Oil seal 25		1			
017	143962-0	Needle bearing complete		1			
019	232286-0	Leaf spring		1			
020	347000-2	Change plate B		1			
021	346999-8	Change plate A		1			
022	213278-8	O-ring 17		1			
023	455392-6	Change lever		1			
024	455394-2	Change lever cap		1			
025	456528-0	Change lever cover		1			
026	216022-2	Steel ball 7.0		2			
027	216019-1	Steel ball 3		4	*		
027-1	216068-8	Steel ball 3	<	4			
028	144215-0	Tool holder complete		1			
C10	213344-1	Oil seal 9		1			
029	332139-4	Driving flange		1			
030	227360-7	Spur gear 51		1			
033	231899-4	Compression spring 31		1			
034	267153-0	Flat washer 30		1			
035	257932-4	Spiro lock washer 30		1			
036	267153-0	Flat washer 30		1			
037	325782-6	Sleeve 9A		1			
038	325789-2	Impact bolt A		1			
039	325794-9	Ring 10A		1			
040	424267-0	Cushion ring 12		1			
041	325798-1	O-ring case A		1			
042	213073-6	O-ring 9		1			
043	233979-2	Ring spring 28		1			
044	325784-2	Striker		1			
045	213258-4	O-ring 17.5		1			
046	310345-1	Piston cylinder		1			
047	346036-8	Guide plate		1			
048	324215-8	Piston joint		1			
049	234098-7	Compression spring 14		1			
050	210137-7	Ball bearing 606ZZ		1			
051	257336-0	Stop ring (EXT) U-6		1			

052	253186-1	Flat washer 7		1		
053	233360-7	Compression spring 4		1		
054	346998-0	Lock plate		1		
055	326448-1	Cam shaft		1		
056	227359-2	Spur gear 10		1		
057	310678-4	Clutch cam		2		
058	219021-3	Swash bearing 10		1		
059	257321-3	Ring 8		1		
060	310344-3	Bearing box		1		
061	210046-0	Ball bearing 608ZZ		1		
062	266437-3	Hex. socket head bolt M4X16		2		
063	285735-6	Bearing retainer		1		
064	227748-1	Helical gear 27		1		
065	213727-5	O-ring 63		1		
069	141664-2	Inner housing complete		1		
C10	443153-6	Felt		1		
070	213407-3	O-ring 26		1		
071	213678-2	Oil seal 12		1		
072	262571-7	Sleeve 8		1		
073	211480-7	Ball bearing 6000ZZ		1		
074	267213-8	Flat washer 10		1		
075	240084-8	Fan 60		1		
076	513944-0	Armature assembly 240V		1		
076		INC. 72-75,77,78				
077	681652-2	Insulation washer		1		
078	210050-9	Ball bearing 627ZZ		1		
079	267804-5	Wave washer 15		1		
083	266334-3	Binding head tapping screw 4X6 0		2		
084	452984-2	Baffle plate		1		
085	633793-0	Field 220-240V		1		
086	452979-5	Motor housing		1	*	
086-1	413568-5	Motor housing	>	1		
087	852T28-2	Name plate M8701		1		
088	890304-6	Clear label		1	*	
089	194722-3	Carbon brush set		1	*	
089-1	195026-6	Carbon brush set	O	1		
090	638747-2	Brush holder unit		1		
092	266361-0	Binding head tapping screw 4X3 0		4		
093	852T30-5	Serial no. label M8701		1		
094	890297-7	Clear label		1	*	
095	682566-8	Cord guard 10		1		
096	695490-6	Power supply cord 1.0-2-4.0		1	*	
096-1	665890-4	Power supply cord 1.0-2-4.0	O	1		
097	650671-9	Switch TG853TB-1C		1	*	
097-1	650671-9	Switch TG853TB-1C	O	1		
098	645190-8	Noise suppressor		1	*	
098-1	645267-9	Noise suppressor	O	1		
099	687682-1	Strain relief		1		
100	266385-6	Binding head tapping screw 4X1 4		1		

101	266326-2	Binding head tapping screw 4X1 8		1		
102	452981-8	Handle cover		1	*	
102-1	413572-4	Handle cover	<	1		
103	266326-2	Binding head tapping screw 4X1 8		2		
104	267447-3	Flat washer 14		1		
105	233992-0	Ring spring 15		1		
106	267114-0	Flat washer 17		1		
107	231900-5	Compression spring 5		1		
108	263005-3	Rubber pin 6		1		
A01	321144-6	Depth gauge		1		
A02A	821660-3	Plastic case		1		
C10	452432-1	Slide latch		2		
C20	806G57-9	Makita MT logo label		1		
A03A	810V59-9	Plastic case label M8701		2		
B01	198221-7	Hammer service kit (for high)		1		
C10	195127-0	Oil vessel set		2		
B01		INC. 6,26,40,42,43,45,89,105				
G12	1914X3-8	Dust extraction pad set		1		

Please state Parts No. when your order.

Print Date 25/08/2025



МАГАЗИН МАЙСТОРА®
 БАШ МАЙСТОРА
 ПРОФЕСИОНАЛНИ РЕШЕНИЯ