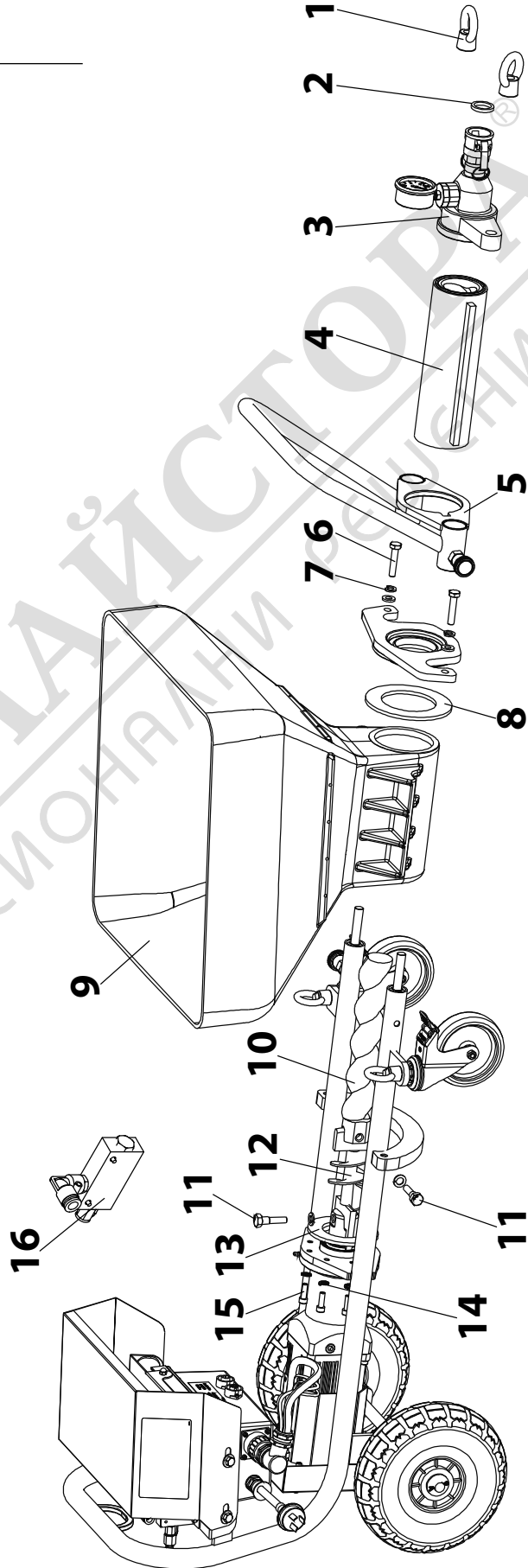


SPARE PARTS LIST

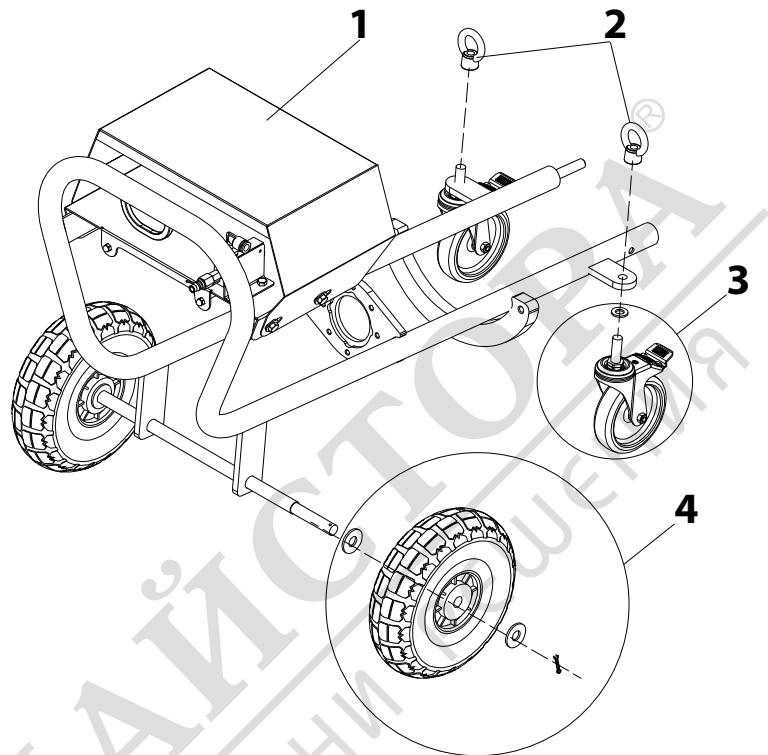
11 SPARE PARTS LIST

ITEM	ORDER NO.	DESIGNATION	ITEM	ORDER NO.	DESIGNATION
1	3142039	Ring nut	9	2436478	Receptacle
2	2416820	Sealing, plaster coupling	10	348316	Rotor
3	2439516	Outlet unit cpl.	11	2416814	Screw
4	348315	Stator	12	2416628	Feeder shaft
5	2416627	Rotor / Stator Kit (pos. 4,10,11)	13	2416632	Rubber seal, motor
6	2416813	Anti-twist lock for stator	14	9921501	Spring washer
7	9900247	Hexagon head screw	15	9900313	Cylinder head screw
8	9921507	Spring washer	16	2416634	Pneumatic Controller, Set
	2416633	Rubber seal, flange			



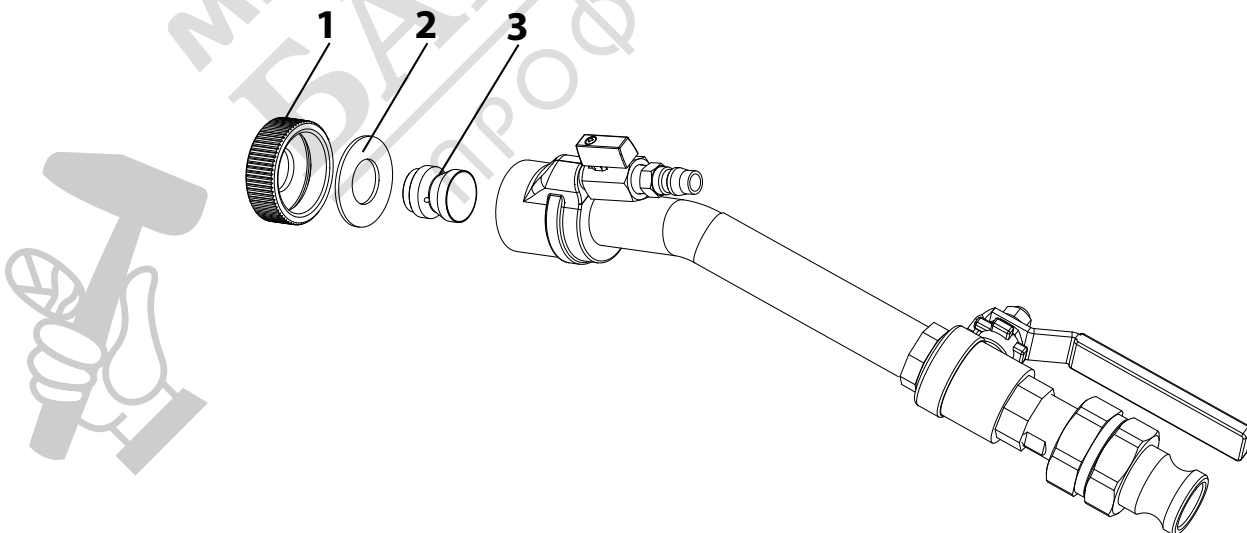
11.1 SPARE PARTS LIST FRAME

ITEM	ORDER NO.	DESIGNATION
1	2416991	Carriage
2	3142039	Ring nut M12
3	2416816	Guide pulley
4	2416631	Wheel



12 SPARE PARTS LIST – SPRAY LANCE

ITEM	PART NO.	DESIGNATION
	2438 213	Spray lance
1	2416 818	Union nut
2	2416 819	Sealing washer
3	2416 609	Texture tip 6 (standard)



ACCESSORIES

13 ACCESSORIES

ITEM	PART NO.	DESIGNATION
1	2438 213	Spray lance (incl. texture tip 6)
2	Texture tips for automatic spray lance and ceiling spray lance:	
	2418 450	Texture tip 4
	2416 609	Texture tip 6 (standard)
	2416 610	Texture tip 8
	2416 611	Texture tip 10
	2416 612	Texture tip 12
3	2416 809	Mortar hose DN 19 – 6 m (standard)
	2396 956	Mortar hose DN 25 – 10 m
4	2416 820	Fix coupling seal M 27
5	0342 916	Cleaning needle
6	0342 330	Cleaning ball for DN 19
	0342 331	Cleaning ball for DN 27
7	9992 824	Pump sliding means 500 ml
8	0342 241	Cleaning adapter M 27 – GK
	0348 948	Cleaning adapter M 35 – GK
9	2312 136	Lubricant for mortar hose (Metylan wallpaper paste) 125g (no picture)
10	2417014	Air filter
11	348316	Rotor (10 litre)
	34892	Rotor (15 litre)
	2385520	Rotor (20 litre)
12	348315	Stator (10 litre)
	348925	Stator (15 litre)
	2385532	Stator (20 litre)
13	2416627	Rotor / Stator Kit (10 litre)

