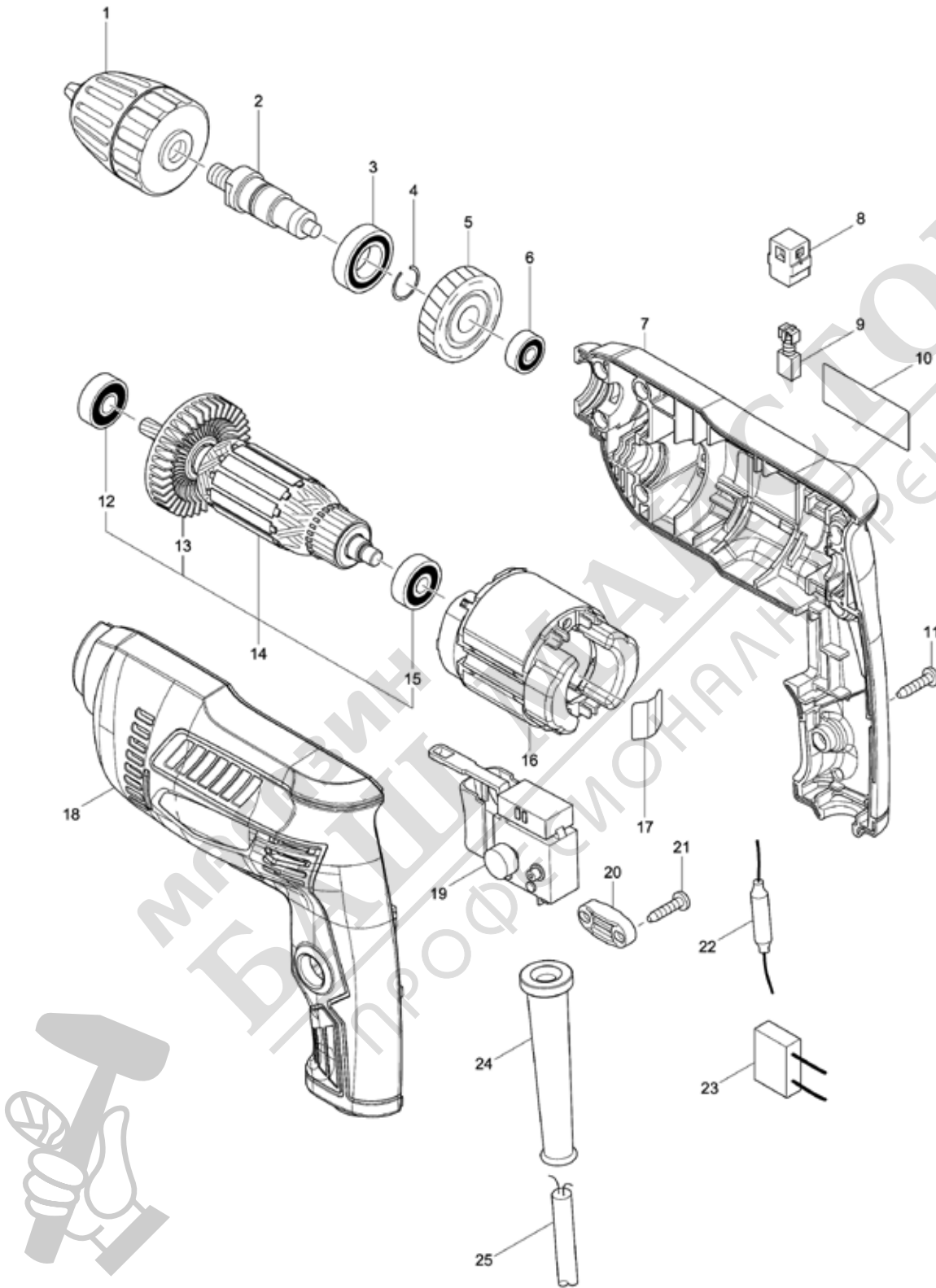


Model No.M6002 10MM DRILL



Model No.M6002 10MM DRILL

Item	Parts No.	Description	I/C	QTY	New/Old	Opt. 1	Opt. 2	NOTE
001	766026-9	KEYLESS DRILL CHUCK 10		1				
002	324376-4	SPINDLE		1				
003A	211242-3	BALL BEARING 6902ZZ		1	*			
003-1A	210153-9	BALL BEARING 6902ZZ	O	1				
003-1B	210153-9	BALL BEARING 6902ZZ		1				
004	233925-5	RING SPRING 13		1				
005	226578-7	HELICAL GEAR 35		1				
006A	210028-2	BALL BEARING 606ZZ		1	*			
006-1A	210137-7	BALL BEARING 606ZZ	O	1				
006-1B	210137-7	BALL BEARING 606ZZ		1				
007-1A	183D44-0	HOUSING SET		1				
007-1B	183D43-2	HOUSING SET		1				
D10		INC. 18						
008	643566-3	BRUSH HOLDER 5X8		2				
009	194973-8	CARBON BRUSH SET CB-85		1				
010	850X32-9	M6002 NAME PLATE		1				
011	266326-2	TAPPING SCREW 4X18		7				
012A	210029-0	BALL BEARING 608ZZ		1	*			
012-1A	210046-0	BALL BEARING 608ZZ	O	1				
012-1B	210046-0	BALL BEARING 608ZZ		1				
013	240066-0	FAN 52		1				
014	515849-0	ARMATURE ASS'Y 240V		1				
D10		INC. 12,13,15						
015A	210030-5	BALL BEARING 627ZZ		1	*			
015-1A	210050-9	BALL BEARING 627ZZ	O	1				
015-1B	210050-9	BALL BEARING 627ZZ		1				
016	639358-6	FIELD 240V		1				
017	232210-3	LEAF SPRING		1				
018-1A	183D44-0	HOUSING SET		1				
018-1B	183D43-2	HOUSING SET		1				
D10		INC. 7						
019	650551-9	SWITCH FA1-3/2BEZ-4		1				
020	687124-5	STRAIN RELIEF		1				
021	266326-2	TAPPING SCREW 4X18		2				
022	646147-2	CHOKE COIL		1				
023	645190-8	NOISE SUPPRESSOR		1				
024	682569-2	CORD GUARD 8-85		1				
025A	666764-2	POWER SUPPLY CORD 1.0-2-2.0		1	*			
025-1A	697207-3	POWER SUPPLY CORD 1.0-2-2.0	O	1				
025-1B	697207-3	POWER SUPPLY CORD 1.0-2-2.0		1				

Please order the parts with part number.

Print Date 6/4/2021