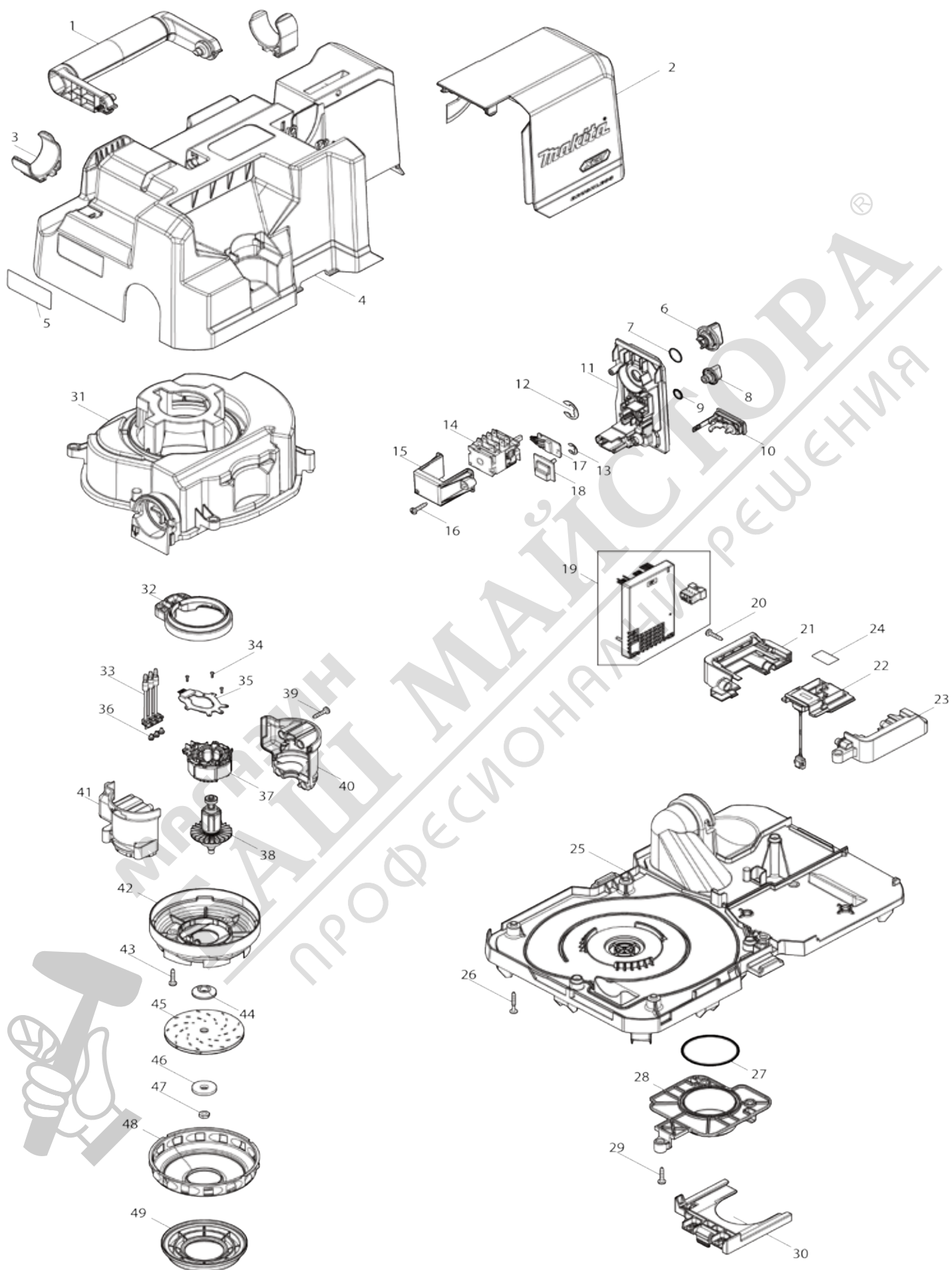
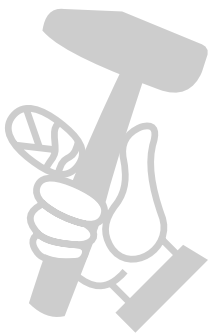
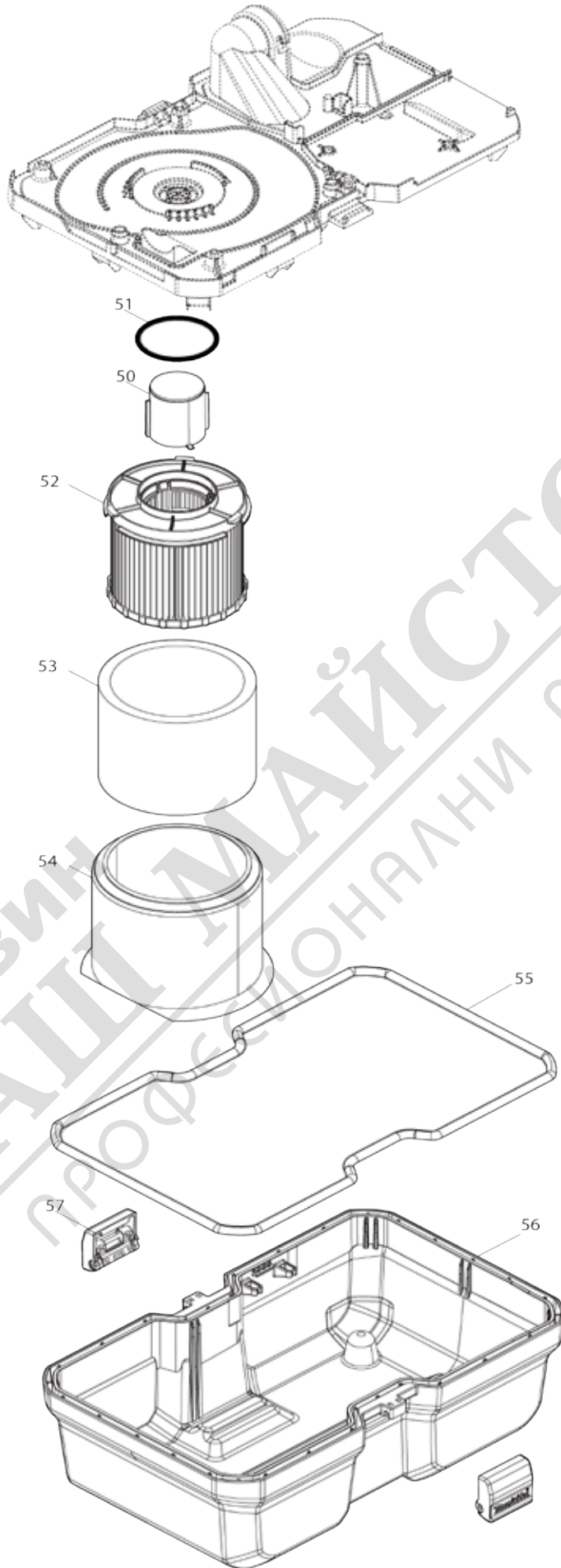


Model No.VC013GL CORDLESS VACUUM CLEANER



Model No.VC013GL CORDLESS VACUUM CLEANER



МАГАЗИН МАЙСТОРА®
ПРОФЕСІОНАЛНИ РЕШЕННЯ

Model No.VC013GL CORDLESS VACUUM CLEANER

Item No.	Parts No.	Description	Interchangability	Q'ty	New/Old	Note1	Note2
001	4131X7-5	Handle		1			
002	137262-8	BATTERY COVER ASSEMBLY		1			
003	4131X6-7	Hose hook		2			
004	137312-9	TOP COVER ASSEMBLY		1			
C10	263005-3	RUBBER PIN 6		2			
C20	891977-8	CAUTION LABEL		1			
005	8150P3-1	VC013GL NAME PLATE		1			
006	455733-6	SWITCH LEVER		1			
007	213176-6	O RING 14		1			
008	451344-5	SWITCH DIAL		1			
009	213054-0	O RING 9		1			
010	1410V2-2	Cap complete		1	*		
010-1	1413F4-4	CAP COMPLETE	<	1			
011	1410V5-6	Switch base complete		1			
012	961062-2	STOP RING E-12		1			
013	961013-5	STOP RING E-7		1			
014	650066-6	Switch 1703.4704		1			
015	451343-7	SWITCH HOLDER		1			
016	266326-2	TAPPING SCREW 4X18		2			
017	620R97-7	Indication circuit		1			
018	620D39-7	SUB CONTROLLER		1			
019	620R91-9	Controller		1			
020	266326-2	TAPPING SCREW 4X18		2			
021	1831K5-9	TERMINAL CASE SET		1			
C10	263005-3	RUBBER PIN 6		2			
021		INC. 23					
022	632W77-1	TERMINAL UNIT		1			
023	1831K5-9	TERMINAL CASE SET		1			
C10	263005-3	RUBBER PIN 6		2			
023		INC. 21					
024	8150P4-9	VC013GL SERIAL NO. LABEL		1			
025	4131W9-4	Tank cover		1			
026	266374-1	TAPPING SCREW 4X25		8			
027	213A93-6	O-RING 55		1			
028	4131X4-1	Inlet		1			
029	266326-2	TAPPING SCREW 4X18		4			
030	4131W3-6	STAY		1			
031	1410U8-3	Separator complete		1			
C10	422C10-9	BAND DAMPER B		1			
C20	422C11-7	BAND DAMPER C		1			
032	422794-1	RUBBER RING		1			
033	632W57-7	Lead unit		1			
034	266490-9	TAPPING SCREW PT 2X6		3			
035	620F39-9	CONTROLLER B		1			
036	652069-6	FLAT HEAD SCREW M3X6		3			
037	629C29-1	STATOR		1			
038	619704-9	ROTOR		1			

039	266326-2	TAPPING SCREW 4X18		4		
040	183U05-2	MOTOR HOUSING SET		1		
040		INC. 41				
041	183U05-2	MOTOR HOUSING SET		1		
041		INC. 40				
042	4131X1-7	Fan base		1		
043	266326-2	TAPPING SCREW 4X18		3		
044	313062-2	FLANGE		1		
045	240243-4	FAN 80		1		
046	253752-4	FLAT WASHER 8		1		
047	252268-6	HEX. NUT M6		1		
048	347D45-4	Fan cover		1		
049	422C08-6	Support ring		1		
050	140G00-1	FLOAT COMPLETE		1		
051	422364-6	SEAL RING A		1		
052	162518-0	FILTER COMPLETE		1		
053	422449-8	DAMPER		1		
054	162635-6	PRE FILTER		1		
055	422C07-8	Seal ring B		1		
056	1410V9-8	TANK COMPLETE		1		
C10	891978-6	CAUTION LABEL		1		
057	162315-4	LATCH		2		
A01	140G04-3	HOSE COMPLETE		1		
A02	199486-4	SHOULDER BELT SET		1		
A03	4132U6-2	Sash nozzle		1		
A04	458891-7	WIDE NOZZLE		1		
A05	1915T4-4	Wet filter set		1		
A06	1915W5-3	Paper dust bag set		1		
F02	191Y12-5	HOSE COMPLETE SET		1		
F03	1912G4-5	TELESCOPIC PIPE COMPLETE SET		1		
F04	1912G5-3	BENT PIPE COMPLETE SET		1		
F05	1914Y6-9	Rotary brush nozzle set		1		
F06	1914Y7-7	Rotary brush nozzle set		1		
F07	1915G5-1	Caster set		1		
F08	1915G6-9	Hose complete 28-5 set		1		
F12	1915W5-3	Paper dust bag set		1		
F13	191657-9	ROUND BRUSH SET 38 BLK		1		
F14	192236-6	TAPERED NOZZLE SET		1		
F15	192563-1	STRAIGHT PIPE SET 565-38		1		
F16	195432-5	POLY BAG SET(650X650)		1		
F17	195548-6	JOINT 22-38 SET		1		
F21	199486-4	SHOULDER BELT SET		1		
F22	199827-4	PRE FILTER SET		1		

Please state Parts No. when your order.

Print Date 07/14/2025