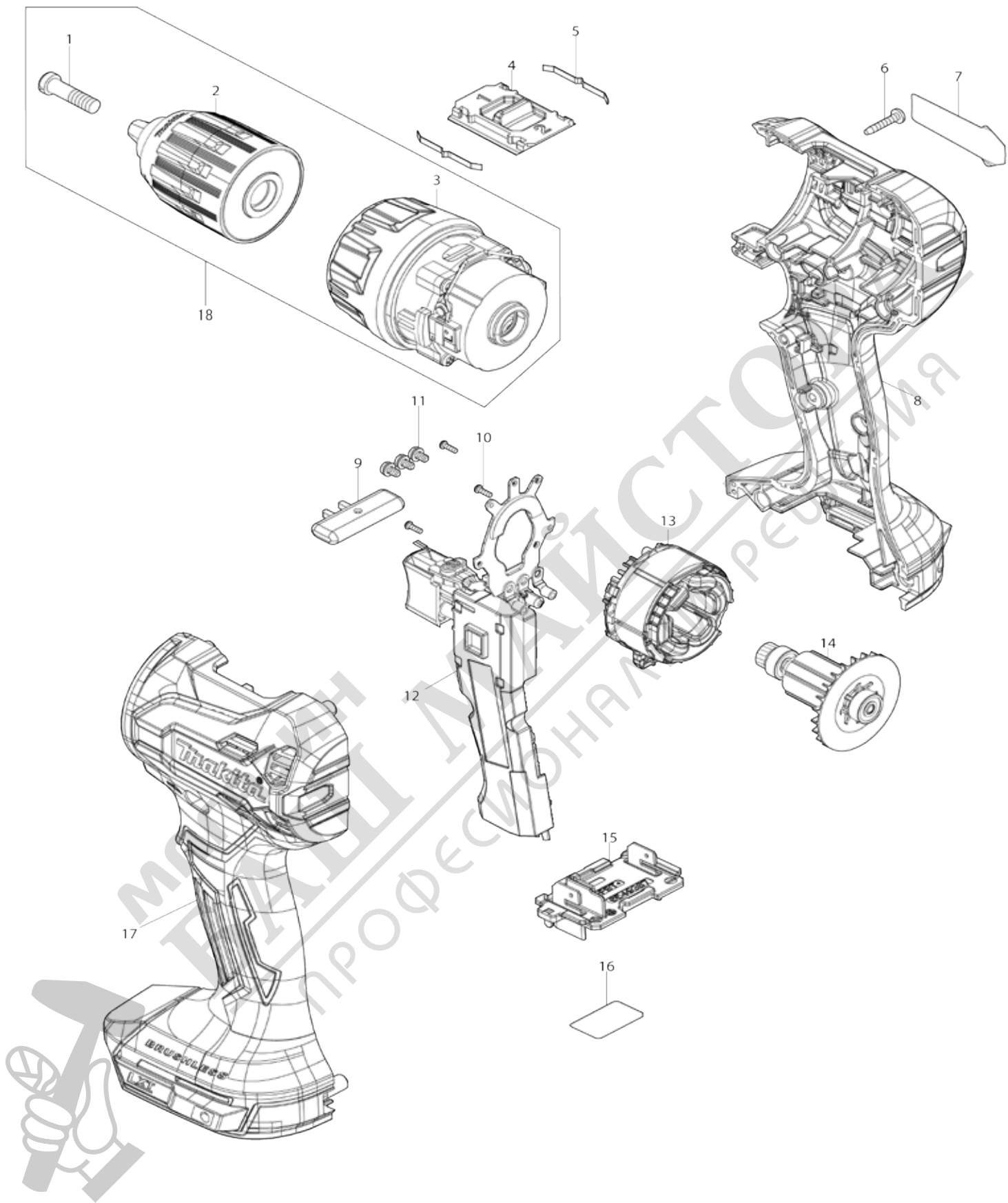


Model No.DHP490 CORDLESS HAMMER DRIVER DRILL



Model No.DHP490 CORDLESS HAMMER DRIVER DRILL

Item No.	Parts No.	Description	Interchangability	Q'ty	New/Old	Note1	Note2
001	251468-5	- FLAT HEAD SCREW M6X22		1			
002	763260-2	KEYLESS DRILL CHUCK 13		1			
003	122H74-0	Gear assembly		1			
004	4132C1-6	Speed change lever		1			
005	232220-0	LEAF SPRING		2			
006	266429-2	TAPPING SCREW 3X16		9			
007	8149W2-3	DHP490 NAME PLATE		1			
008	1831H5-8	HOUSING SET		1			
C10	263005-3	RUBBER PIN 6		2			
C20	252126-6	HEX. LOCK NUT M4-7		2			
008		INC. 17					
009	4132C2-4	F/R change lever		1			
010	266490-9	TAPPING SCREW PT 2X6		3			
011	652069-6	FLAT HEAD SCREW M3X6		3			
012	620R84-6	Control module		1			
013	629372-0	STATOR		1			
014	619899-8	Rotor		1	*		
014-1	619899-8	Rotor	O	1			
015	654938-7	Terminal		1			
016	8149W4-9	DHP490 SERIAL NO. LABEL		1			
017	1831H5-8	HOUSING SET		1			
C10	263005-3	RUBBER PIN 6		2			
C20	252126-6	HEX. LOCK NUT M4-7		2			
017		INC. 8					
018	122H72-4	Gear chuck assembly		1			
018		INC. 1-3					
A01B	821550-0	CONNECTOR PLASTIC CASE (TYPE2)		1			
C10	453974-8	LATCH		4			
A02B	***DC18RC	DC18RC FAST CHARGER		1			
A02B		COMPO-PARTS					
A03B	197280-8	BATTERY BL1850B SET		2			
A04B	450128-8	BATTERY COVER		1			
A05B	837916-4	INNER TRAY		1			

Please state Parts No. when your order.

Print Date 05/30/2025

