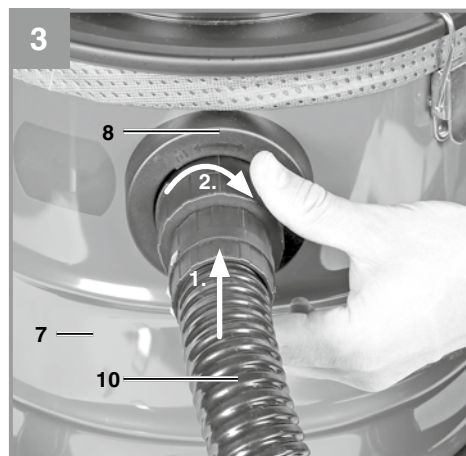
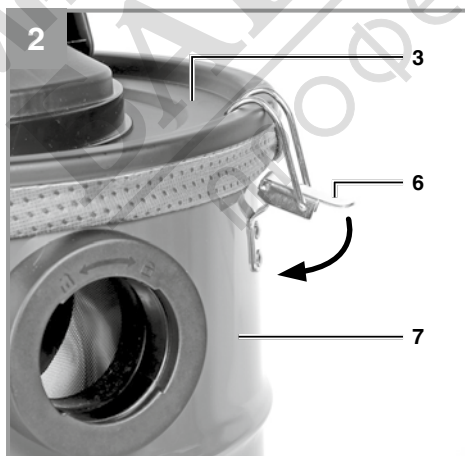
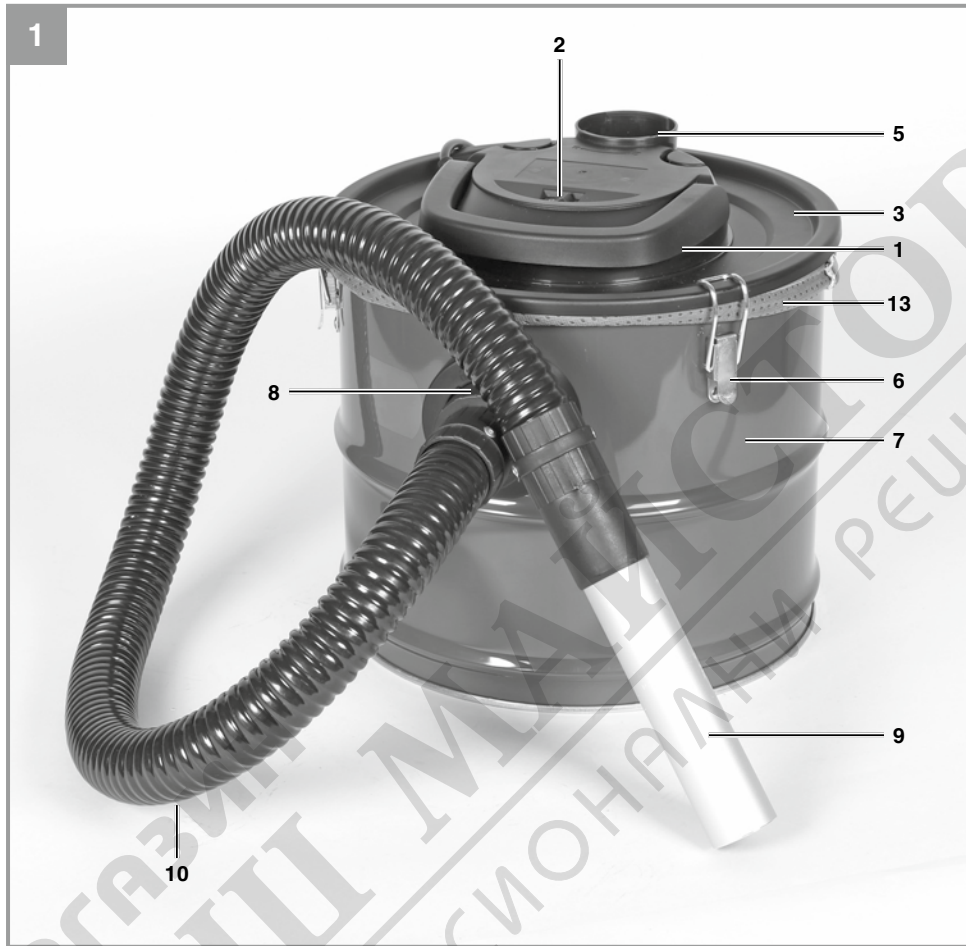
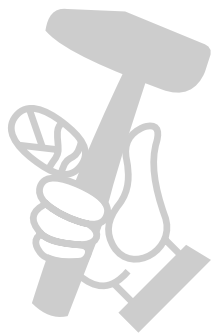
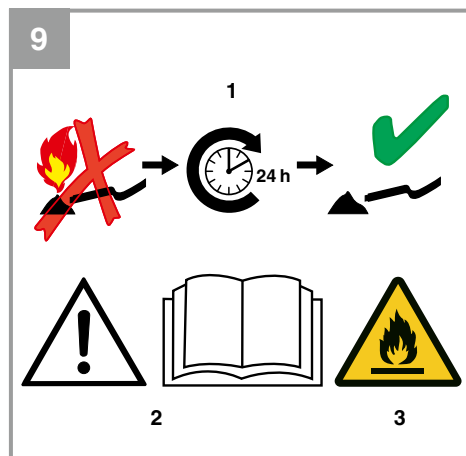
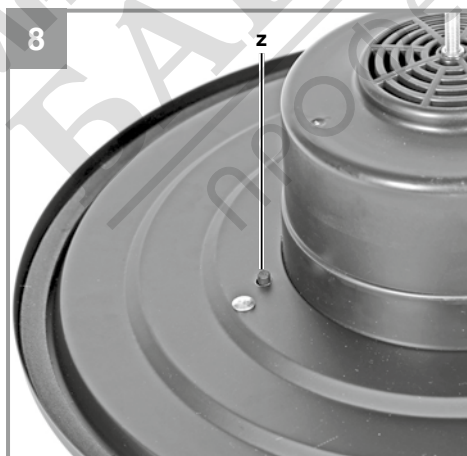
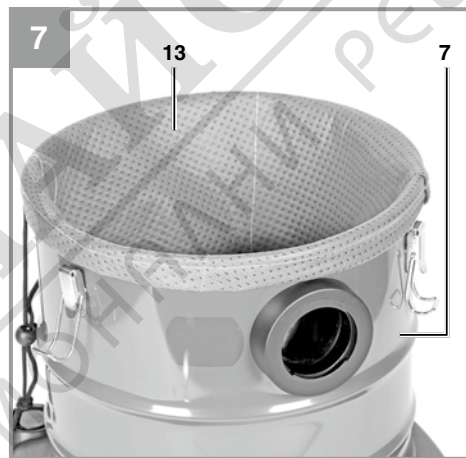
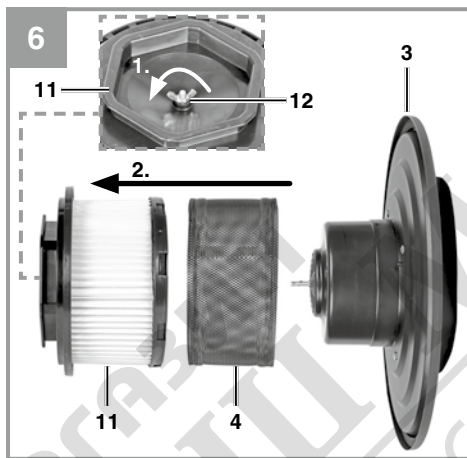
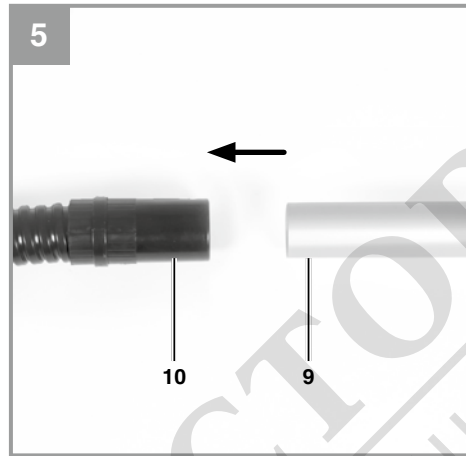
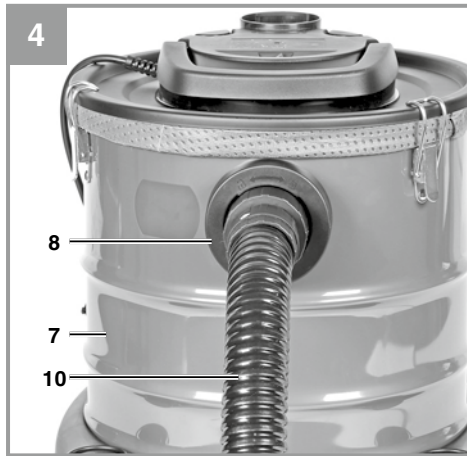


D	Originalbetriebsanleitung Aschesauger	H	Eredeti használati utasítás Hamuszívó
GB	Original operating instructions Ash vacuum	RO	Instrucțiuni de utilizare originale Aspirator pentru cenușă
F	Instructions d'origine Aspirateur de cendres	GR	Πρωτότυπες Οδηγίες χρήσης Ηλεκτρική σκούπα για στάχτες
I	Istruzioni per l'uso originali Aspiracenere	P	Manual de instrucções original Aspirador de cinzas
DK/ N	Original betjeningsvejledning Askesuger	HR/ BIH	Originalne upute za uporabu Usisavač pepela
S	Original-bruksanvisning Asksugare	RS	Originalna uputstva za upotrebu Usisač pepela
CZ	Originální návod k obsluze Vysavač na popel	PL	Instrukcja oryginalną Odkurzacz do popiołu
SK	Originálny návod na obsluhu Vysávač na popol	TR	Orijinal Kullanma Talimatı Kül aspiratörü
NL	Originele handleiding Aszuiger	EE	Originaalkasutusjuhend Tuhaimur
E	Manual de instrucciones original Aspirador de cenizas		
FIN	Alkuperäiskäyttöohje Tuhkaimuri		
SLO	Originalna navodila za uporabo Sesalnik za pepel		

**Art.-Nr.: 23.516.62****I.-Nr.: 21014**





Danger!

When using the equipment, a few safety precautions must be observed to avoid injuries and damage. Please read the complete operating instructions and safety regulations with due care. Keep this manual in a safe place, so that the information is available at all times. If you give the equipment to any other person, hand over these operating instructions and safety regulations as well. We cannot accept any liability for damage or accidents which arise due to a failure to follow these instructions and the safety instructions.

Explanation of the symbols used (see Fig. 9)

1. **Danger!** - Read the operating instructions to reduce the risk of injury.
2. **Danger!** Wait at least 24 hours before vacuuming an oven or a fireplace in order to be sure that the fire has gone out and the ash has cooled down. Only for cold ash, see the operating instructions!
3. **WARNING: Fire hazard**
 - Do not vacuum hot, glowing or burning ashes; only vacuum cold ashes.
 - Empty and clean the dust container before and after each use.
 - Do not use dust bags made of paper or bags made of similar flammable materials.
 - Never use other vacuum cleaners to vacuum ashes.
 - Do not place the ash vacuum cleaner on flammable or polymer surfaces, including carpets or vinyl tile floors.

1. Safety regulations**Danger!****Read all safety regulations and instructions.**

Any errors made in following the safety regulations and instructions may result in an electric shock, fire and/or serious injury.

Keep all safety regulations and instructions in a safe place for future use.

This appliance is not to be used by people (including children) with disabilities, whether physical, sensory or cognitive, or by people without prior experience/adequate knowledge of the appliance, without supervision by qualified safety personnel, or instructions on how to use it.

Children must always be supervised in order to ensure that they do not play with the appliance.

- **Danger!** Read the operating instructions before assembling and using the appliance for the first time.
- Check that the mains voltage is the same as the mains voltage specified on the rating plate.
- Pull out the power plug in the following circumstances: Whenever the appliance is not in use, before opening the appliance and before all cleaning and maintenance work.
- Never clean the appliance with solvents.
- Never pull the plug out of the socket by pulling the cable.
- Never leave the appliance unattended when operational.
- Keep away from children.
- Take care to ensure that the power cable does not get damaged by being run over, crushed, pulled or suchlike.
- Do not use the machine if the power cable is in a less than perfect condition.
- If the power cable has to be replaced, the replacement must comply with the design specifications of the manufacturer.
- Power cable: H 05 VV - F 2 x 0,75 mm²
- Never vacuum the following: Burning matches, smoldering ash and cigarette butts, combustible, caustic, inflammable or explosive substances, vapour or liquids.
- This appliance is not suitable for vacuuming dust which can be harmful to health.
- Store the appliance in a dry indoor location.
- Never use the appliance if it is damaged.
- Only allow the appliance to be serviced by an authorized customer service center.
- Only use the appliance to carry out work for which has been designed.
- Use only genuine accessories and spare parts.
- The guidelines in the operating instructions must be observed. The safety and accident-prevention regulations from the lawgiver are also to be observed.
- Important! Hazardous material must not be extracted with the ash filter.
- Do not extract ashes from prohibited fuels.
- Do not use the ash filter to extract hot, glowing or inflammable objects (e.g. charcoal, cigarettes ...).
- **Danger!** The ash vacuum cleaner is not suitable for vacuuming soot or fine dust.
- **Danger!** The extracted material must not exceed a temperature of 40°C.
- **Danger!** If this temperature of the extracted material exceeds 40°C, there is a risk of fire.

- **Danger!** If the permissible temperature is exceeded, the extractor, the ash filter and the hoses could be damaged.
- **Danger!** Extracted material which looks as though it has cooled off on the outside may still be hot on the inside. Hot extracted material could be set alight again in the air current.
- Before beginning extraction, please wait until the material is completely cooled off. Hot ashes should not be purged with water, as the sudden temperature difference can cause ruptures to the chimney.
- Wait at least 24 hours before vacuuming an oven or a fireplace in order to be sure that the fire has gone out and the ash has cooled down.
- Check the hoses, the ash filter and the extractor regularly when extracting, to assess levels of heating.
- If the appliance heats up, switch it off, pull the mains plug out and remove the filter bag immediately. Separate the ash filter from the extractor and remove the extracted material.
- Next, let the extractor and the ash filter cool off outside, under supervision.
- If the power cable for this appliance is damaged, it must be replaced by the manufacturer or its after-sales service or similarly trained personnel to avoid danger.
- Cold ash is ash which has cooled for a sufficiently long time and no longer contains any glowing embers. This can be checked by combing through the ash with a metal object before you use the ash vacuum cleaner. Cold ash no longer radiates any perceivable heat.
- After and before vacuum cleaning, empty and clean the tank in order to prevent the accumulation of materials which could present a fire hazard in the vacuum cleaner.
- The ash vacuum cleaner is not allowed to be used for collecting harmful dusts (dust class L, M, H).

2. Layout and items supplied

2.1 Layout (Fig. 1,6)

- 1 Handle
- 2 On/Off switch
- 3 Appliance head
- 4 Filter basket
- 5 Blow connector
- 6 Locking hook
- 7 Tank
- 8 Suction hose connector
- 9 Suction tube
- 10 Flexible hose
- 11 Filter cartridge for fine ash dust.
- 12 Wing nut
- 13 Coarse filter

2.2 Items supplied

Please check that the article is complete as specified in the scope of delivery. If parts are missing, please contact our service center or the sales outlet where you made your purchase at the latest within 5 working days after purchasing the product and upon presentation of a valid bill of purchase. Also, refer to the warranty table in the service information at the end of the operating instructions.

- Open the packaging and take out the equipment with care.
- Remove the packaging material and any packaging and/or transportation braces (if available).
- Check to see if all items are supplied.
- Inspect the equipment and accessories for transport damage.
- If possible, please keep the packaging until the end of the guarantee period.

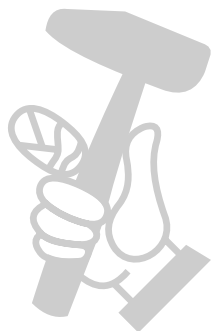
Danger!

The equipment and packaging material are not toys. Do not let children play with plastic bags, foils or small parts. There is a danger of swallowing or suffocating!

- Ash vacuum
- Original operating instructions

3. Proper use


This tool is designed to vacuum up cold ashes from fireplaces, chimneys, stoves, ashtrays and similar places where ashes are collected.



The equipment is to be used only for its prescribed purpose. Any other use is deemed to be a case of misuse. The user / operator and not the manufacturer will be liable for any damage or injuries of any kind caused as a result of this.

Please note that our equipment has not been designed for use in commercial, trade or industrial applications. Our warranty will be voided if the machine is used in commercial, trade or industrial businesses or for equivalent purposes.

4. Technical data

Mains voltage:220-240 V ~ 50/60 Hz
 Power rating: 800 W
 Tank volume: 18 l
 Protection class:II / 
 Weight: ca. 3.5 kg

5. Before starting the equipment

Before you connect the equipment to the mains supply make sure that the data on the rating plate are identical to the mains data.

Warning!

Always pull the power plug before making adjustments to the equipment.

The appliance may only be connected to a shock-proof socket.

5.1 Assembling the appliance

Fitting the appliance head (Fig. 2-5)

The appliance head (3) is fastened to the container (7) by the locking hook (6). To remove the appliance head (3), open the locking hook (6) and remove the appliance head (3). When fitting the appliance head (3), make sure that the locking hook (6) locks into place correctly.

Plug the vacuum tube (9) onto the end of the suction hose (10).

Fit the suction hose (10) onto the connection (8) and turn until securely attached.

5.2 Fitting the filter

Notice!

Never use the ash vacuum without the filter!
 Always ensure that the filters are perfectly secure.

Removing/fitting the pleated filter (Fig. 6)

First undo the wing nut (12) and then remove the

pleated filter (11) and the filter cage (4) by pulling. Assemble in reverse order. Check that the filter is securely seated at all times.

Important!

The equipment comes with a safety switch (z) which does not allow the equipment to be switched on when the pleated filter and the filter basket are not fitted.

Fitting the coarse filter (Fig. 7)

Fit the coarse filter (13) as shown in Figure 7.

6. Operation

6.1 ON/OFF switch (Fig. 1/2)

Press the ON/OFF switch (2) to switch the equipment ON and OFF.

6.2 Blowing

Connect the suction hose (10) to the blow connector (5) of the ash vacuum cleaner.

6.3 Cleaning the appliance head

Clean the appliance regularly with a damp cloth and some soft soap. Do not use cleaning agents or solvents; these may be aggressive to the plastic parts in the appliance.

6.4 Cleaning the container

The container can be cleaned with a damp cloth and some soft soap or under running water, depending on the amount of dirt.

6.5 Cleaning the filter

Clean the filter basket (4), the pleated filter (11) and the coarse filter (13), e.g. by tapping and brushing or by blowing out with compressed air at low pressure.

7. Replacing the power cable

Danger!

If the power cable for this equipment is damaged, it must be replaced by the manufacturer or its after-sales service or similarly trained personnel to avoid danger.

8. Cleaning, maintenance and ordering of spare parts

Danger!

Always pull out the mains power plug before starting any cleaning work.

8.1 Cleaning

- Keep all safety devices, air vents and the motor housing free of dirt and dust as far as possible.
- We recommend that you clean the appliance immediately after you use it.

8.2 Servicing

At regular intervals and before each use, check that the filters in the ash vacuum are securely fitted.

8.3 Ordering replacement parts:

Please quote the following data when ordering replacement parts:

- Type of machine
- Article number of the machine
- Identification number of the machine
- Replacement part number of the part required

For our latest prices and information please go to www.Einhell-Service.com

9. Disposal and recycling

The equipment is supplied in packaging to prevent it from being damaged in transit. The raw materials in this packaging can be reused or recycled. The equipment and its accessories are made of various types of material, such as metal and plastic. Never place defective equipment in your household refuse. The equipment should be taken to a suitable collection center for proper disposal. If you do not know the whereabouts of such a collection point, you should ask in your local council offices.

10. Storage

Store the equipment and accessories in a dark and dry place at above freezing temperature. The ideal storage temperature is between 5 and 30 °C. Store the electric tool in its original packaging.

Disposal



Power tools, rechargeable batteries, accessories and packaging should be sorted for environmental-friendly recycling.

Do not dispose of power tools and batteries/rechargeable batteries into household waste!

Only for EU countries:

According to the Directive 2012/19/EU on waste electrical and electronic equipment and its transposition into national law, power tools that are no longer usable, and, according to the Directive 2006/66/EC, defective or drained batteries must be collected separately and disposed of in an environmentally correct manner.

If disposed incorrectly, waste electrical and electronic equipment may have harmful effects on the environment and human health, due to the potential presence of hazardous substances.

Only for United Kingdom:

According to The Waste Electrical and Electronic Equipment Regulations 2013 (SI 2013/3113) (as amended) and the Waste Batteries and Accumulators Regulations 2009 (SI 2009/890) (as amended), products that are no longer usable must be collected separately and disposed of in an environmentally friendly manner.

The reprinting or reproduction by any other means, in whole or in part, of documentation and papers accompanying products is permitted only with the express consent of the Einhell Germany AG.

Subject to technical changes

Service information

We have competent service partners in all countries named on the guarantee certificate whose contact details can also be found on the guarantee certificate. These partners will help you with all service requests such as repairs, spare and wearing part orders or the purchase of consumables.

Please note that the following parts of this product are subject to normal or natural wear and that the following parts are therefore also required for use as consumables.

Category	Example
Wear parts*	Suction tube
Consumables*	Pleated filter, foam filter, coarse filter
Missing parts	

* Not necessarily included in the scope of delivery!

In the effect of defects or faults, please register the problem on the internet at www.Einhell-Service.com. Please ensure that you provide a precise description of the problem and answer the following questions in all cases:

- Did the equipment work at all or was it defective from the beginning?
- Did you notice anything (symptom or defect) prior to the failure?
- What malfunction does the equipment have in your opinion (main symptom)? Describe this malfunction.

