

SAVAGE A41

Professional automatic welding helmet



The Savage A41 welding helmet improves on the legendary Savage A40 with an updated digital user interface, streamlined external grind button and wider shade range. Using cues from ESAB's Sentinel A60 and Savage A50LUX, the Savage A41 user interface now includes a clear and simple digital push-button UI, with precise setting feedback using a multi-color LED display so you know the exact shade, delay and sensitivity setting you have selected. The Savage A41 retains all the other performance aspects from Savage A40, including fantastic true color technology, excellent optical characteristics, housed in our distinctive shell design.

Welding Process

- Oxy-Fuel Cutting
- Plasma Cutting
- Grinding
- Welding, GMAW (MIG/MAG)
- Welding, GTAW (TIG)
- Welding, PAW -Plasma Arc Welding
- Welding, SMAW/MMA (Stick)

- Four arc sensors for higher auto darkening response
- Wide coverage and a large viewing area of 100 x 50 mm (3.93 x 1.96 in.) offers a wide field of vision and increased spatial awareness
- Adjustable sensitivity and delay controls using the digital adjustment / LED interface allows a wide range of use from high amperage MIG welding to the most delicate TIG process
- Externally activated Grind Button. Shade 4 Grind Mode
- True Color ADF with passive Shade 4 setting for a brighter view and enhanced colour definition

Visit esab.com for more information.



New multi-color LED display

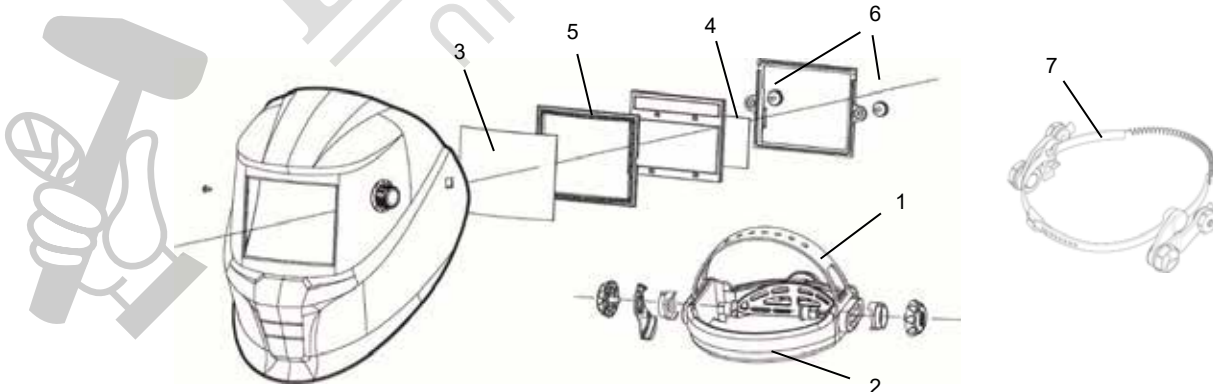
SAVAGE A41

Specifications	
Cartridge Dimensions	110 x 90 x 7.8 mm (4.33 x 3.54 x 0.3 in.)
Viewing Area	100 x 50 mm (3.93 x 1.96 in.)
Lens Shade	DIN 4, 8-13 Automatic
Power Supply	Solar cell, Replaceable Battery (1*CR2450 lithium). Alerts when low battery.
Sensors	4
Switch Time, from Dark to Light	0.1-0.9 s
Switch Time, at 23°C	0.07 ms
Certification Mark & Standards	CE: EN ISO 16321 W4/8-13 V2, ANSI: 787.1+, CSA: Z94.3
Warranty	2 years
Weight	500 g (1.1 lbs)

Ordering Information	
Savage A41 8-13 Black, Replaceable Battery	0700504100
Savage A41 8-13 Yellow, Replaceable Battery	0700504101

Delivery Includes: Full helmet assembly, 2 replacement outer lenses, 1 replacement inner lens, CR2450 battery and safety manual.

Wear and Spare Parts		
1	Head Gear	0700000483
2	Sweat Band	0700000414
3	Front Cover Lens	0700000010
4	Inside Cover Lens	0700000482
5	ADF Bracket	0700000418
6	Lens Retainer with Screws	0700000419
7	Savage A40 / A41 Universal Hard Hat Adapter	0700000484
	2 x CR2450 Lithium Battery	0700000807
	Magnifying Lens +1.0 Diopter	0700000084
	Magnifying Lens +1.5 Diopter	0700000085
	Magnifying Lens +2.0 Diopter	0700000086
	Magnifying Lens +2.5 Diopter	0700000087



ESAB / esab.com

