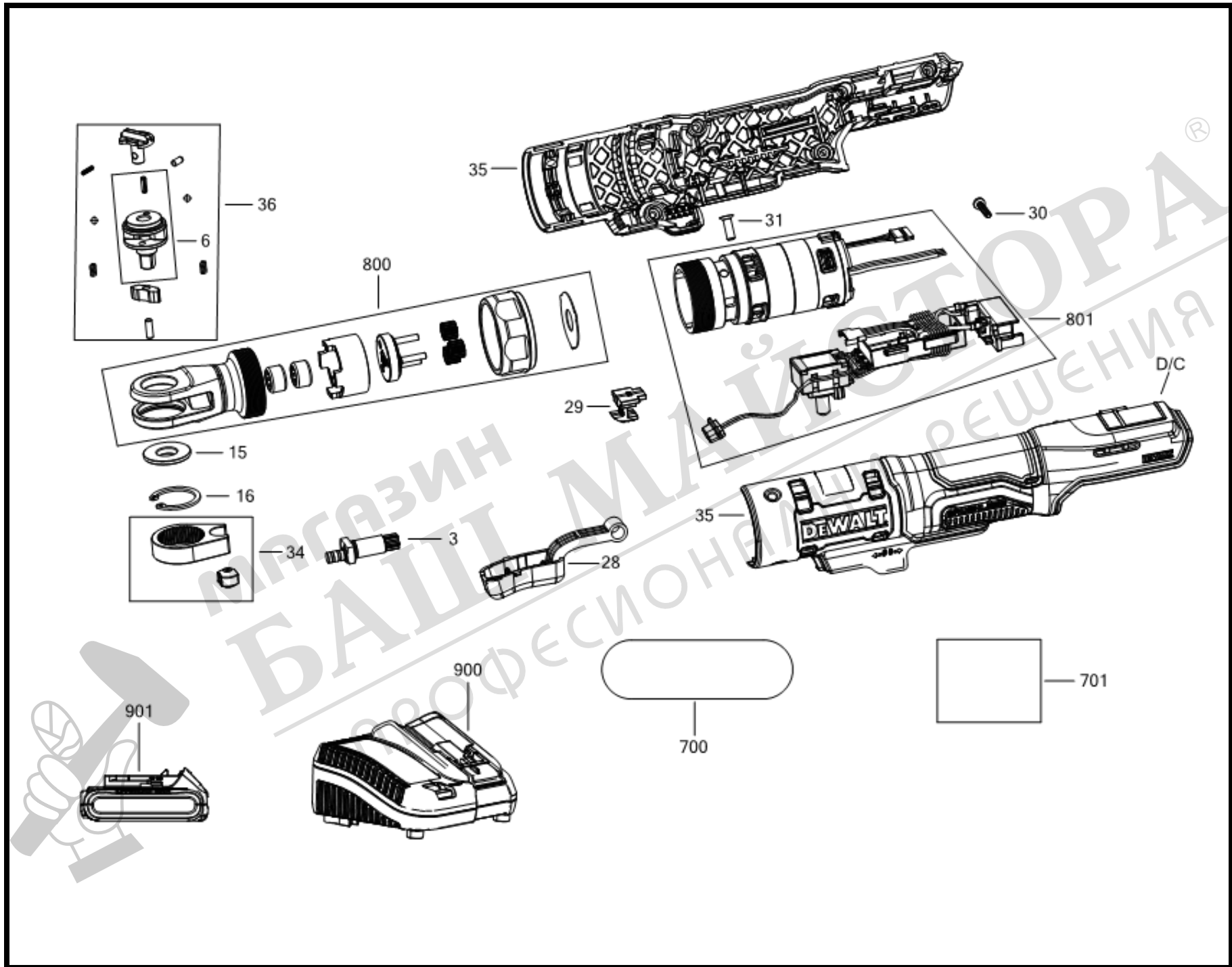
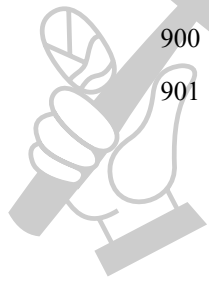


DCF504L1G RATCHET 1



Parts List DCF504L1G RATCHET 1

Item	Part Number	Qty	Part Description	General Description	Other Info	Repair Inst	Markets
3	N778444	1	CRANKSHAFT			No	QW
6	NA189393	1	ANVIL			No	QW
15	N769503	1	PLATE			No	QW
16	N772335	1	CIRCLIP			No	QW
28	N720556	1	TRIGGER			No	QW
29	N878614	1	LOCK			No	QW
30	N463678	4	SCREW			No	QW
31	N891761	5	SCREW			No	QW
34	NA189364	1	YOKE			No	QW
35	NA120321	1	HOUSING SA			No	QW
36	NA189387	1	ANVIL ASSEMBLY	1/4 INCH		No	QW
700	NA093498	1	RATING PLATE			No	QW
701	NA087416	1	LABEL			No	QW
800	NA230009	1	HEAD SA			No	QW
801	NA358378	1	MOTOR SA			No	QW
900	NA330196	1	BATTERY PACK 12V	12V 3AH GFN AUTO		No	QW
901	NA010209	1	CHARGER 10.8V - 18V	DCB115		No	QW



МАЙСТОРА®
 МАГАЗИН МАЙСТОРА
 ПРОФЕСИОНАЛНИ РЕШЕНИЯ