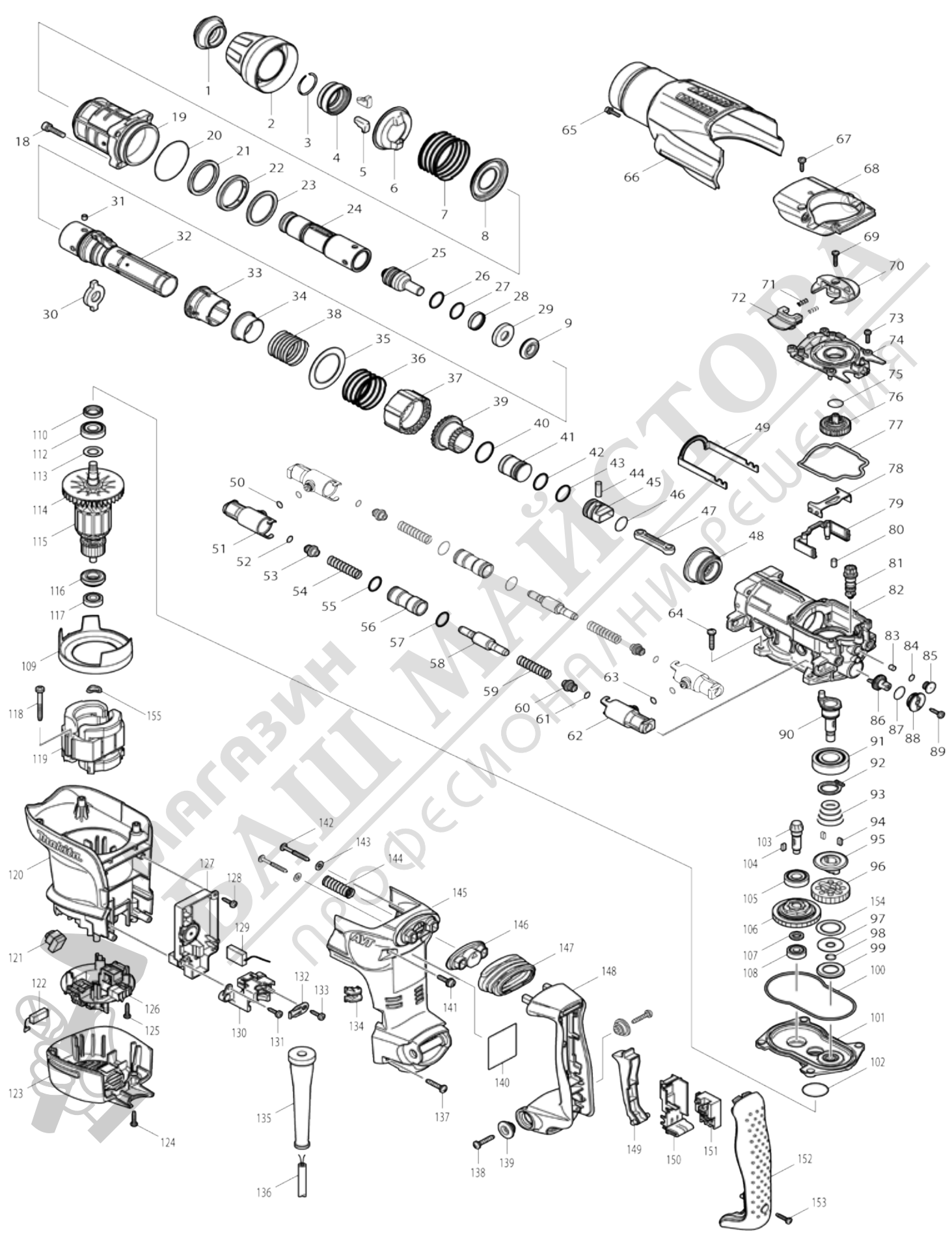


Model No.HR3541FC COMBINATION HAMMER 35MM



Model No.HR3541FC COMBINATION HAMMER 35MM

Item No.	Parts No.	Description	Interchangability	Qty	New/Old	Note1	Note2
001	286269-2	TOOL HOLDER CAP		1			
002	450592-3	CHUCK COVER		1			
003	231984-3	RING SPRING 25		1			
004	331823-8	CHUCK RING		1			
005	310257-8	TOOL RETAINER		2			
006	345928-8	SPRING GUIDE		1			
007	234063-6	COMPRESSION SPRING 52		1			
008	345976-7	SPRING HOLDER		1			
009	424110-3	RUBBER RING 13		1			
018	922341-3	HEX. SOCKET HEAD BOLT M6X25		4			
019	158674-2	BARREL COMPLETE		1			
C10	213498-4	OIL SEAL 32		1			
C20	213533-8	O-RING 39		1			
C30	214508-0	PLANE BEARING 38		1			
020	213656-2	O RING 53		1			
021	257294-0	RING 38		1			
022	262143-8	URETHANE RING 38		1			
023	267381-7	FLAT WASHER 39		1			
024	324900-3	TOOL HOLDER		1			
025	324901-1	IMPACT BOLT		1			
026	213309-3	O RING 19		1			
027	213309-3	O RING 19		1			
028	213996-8	FLUORO CARBON RESIN RING 24		1			
029	324899-2	RING 13		1			
030	324838-2	SLIDE PLATE		1			
031	256266-2	PIN 6		4			
032	331822-0	CYLINDER 25		1			
033	450243-8	SLIDE SLEEVE		1			
034	331805-0	RING 29		1			
035	267360-5	FLAT WASHER 40		1			
036	234052-1	COMPRESSION SPRING 42		1			
037	450236-5	LOCK SLEEVE		1			
038	234050-5	COMPRESSION SPRING 34		1			
039	331795-7	DRIVING SLEEVE		1			
040	213434-0	O RING 26		1			
041	324898-4	STRIKER		1			
042	213283-5	O-RING 18		1			
043	213283-5	O-RING 18		1			
044	256087-2	PIN 7		1			
045	324918-4	PISTON		1			
046	213262-3	O RING 18		1			
047	450235-7	CONNECTING ROD		1			
048	227531-6	SPIRAL BEVEL GEAR 37		1			
049	345867-2	LINK ARM		1			
050	213030-4	O RING 8		2			
051	450248-8	PIPE HOLDER		2			
052	213030-4	O RING 8		2			

053	450239-9	SPRING GUIDE		2		
054	234048-2	COMPRESSION SPRING 10		2		
055	213275-4	O RING 18		2		
056	331800-0	PIPE 15		2		
057	213275-4	O RING 18		2		
058	324862-5	COUNTER WEIGHT		2		
059	234048-2	COMPRESSION SPRING 10		2		
060	450239-9	SPRING GUIDE		2		
061	213030-4	O RING 8		2		
062	450248-8	PIPE HOLDER		2		
063	213030-4	O RING 8		2		
064	266041-8	TAPPING SCREW 5X25		4		
065	922128-3	HEX. SOCKET HEAD BOLT M4X16		1		
066	450593-1	CRANK HOUSING COVER		1		
067	266192-7	TAPPING SCREW 4X14		2		
068	318201-9	CRANK CAP COVER		1		
069	265995-6	TAPPING SCREW 4X18		1		
070	450249-6	CHANGE LEVER		1		
071	233436-0	COMPRESSION SPRING 3		2		
072	450250-1	LOCK BUTTON		1		
073	911128-8	P.H.SCREW M4X16 WITH WR		5		
074	450241-2	CRANK CAP		1		
075	213223-3	O RING 16		1		
076	158437-6	SPUR GEAR 33 COMPLETE		1		
077	424064-4	SEAL RING B		1		
078	345868-0	LINK PLATE		1		
079	450247-0	AIR PIPE		1	*	
079-1	453866-1	AIR PIPE	<	1		
080	263005-3	RUBBER PIN 6		2		
081	450242-0	GEAR SHAFT		1	*	
081-1	452126-8	GEAR SHAFT	S	1		
082	158712-0	CRANK HOUSING COMPLETE		1	*	
C10	213579-4	O-RING 44		1	*	
082-1	158712-0	CRANK HOUSING COMPLETE	O	1		
C10	213579-4	O-RING 44		1		
083	443138-2	FILTER		1		
084	213030-4	O RING 8		1		
085	450238-1	FILTER CAP		1		
086	450244-6	CRANK GEAR		1		
087	213223-3	O RING 16		1	*	
087-1	213176-6	O RING 14	<	1		
088	450237-3	CAP HOLDER		1		
089	266192-7	TAPPING SCREW 4X14		1		
090	324839-0	CRANK SHAFT		1		
091	211332-2	BALL BEARING 6004LLU		1		
092	961060-6	RETAINING RING S-20		1		
093	231991-6	CONICAL COMP. SPRING 21-31		1		
094	254239-9	KEY 4		2		
095	324848-9	CLUTCH		1		
096	227188-3	SPUR GEAR 33		1		
097	253197-6	FLAT WASHER 10		1		
098	961036-3	RETAINING RING WR-10		1		

099	345869-8	CUP WASHER 18		1		
100	424063-6	SEAL RING A		1		
101	158534-8	GEAR HOUSING COMPLETE		1		
102	213415-4	O RING 28		1		
103	227533-2	SPIRAL BEVEL GEAR 9		1		
104	254239-9	KEY 4		1		
105	210105-0	BALL BEARING 6001LLU		1		
106	125421-6	TORQUE LIMITER ASS'Y		1		
107	257291-6	RING 10		1		
108	210005-4	BALL BEARING 608DDW		1		
109	450251-9	BAFFLE PLATE		1		
110	213133-4	OIL SEAL 12		1		
112	210105-0	BALL BEARING 6001LLU		1		
113	253084-9	FLAT WASHER 12		1		
114	241863-7	FAN 70		1		
115	513748-0	ARMATURE ASS'Y 220-240V		1		
115		INC. 112-114,116,117				
116	681650-6	INSULATION WASHER		1		
117	210005-4	BALL BEARING 608DDW		1		
118	266056-5	TAPPING SCREW 5X45		2		
119	625813-4	FIELD 220-240V		1		
120	450260-8	MOTOR HOUSING		1		
121	631785-3	LED CIRCUIT		1		
122	194160-9	CARBON BRUSH CB-350		1		
123	450253-5	REAR COVER		1		
124	265995-6	TAPPING SCREW 4X18		2		
125	265995-6	TAPPING SCREW 4X18		4		
126	638519-5	BRUSH HOLDER UNIT		1	*	
126-1	638646-8	BRUSH HOLDER UNIT	X	1		
127	631783-7	CONTROLLER		1		
128	266192-7	TAPPING SCREW 4X14		1	*	
128-1	266901-4	TAPPING SCREW 4X14	<	1		
129	638406-8	LEAD UNIT		1		
130	450246-2	CORD CLAMP BASE		1		
131	266192-7	TAPPING SCREW 4X14		1	*	
131-1	266901-4	TAPPING SCREW 4X14	<	1		
132	687169-3	STRAIN RELIEF		1		
133	266192-7	TAPPING SCREW 4X14		1		
134	450240-4	LENS		1		
135	682560-0	CORD GUARD 10		1		
136	695123-3	POWER SUPPLY CORD 1.5-2-4.0		1		
137	266041-8	TAPPING SCREW 5X25		2		
138	266041-8	TAPPING SCREW 5X25		2		
139	450352-3	SHOULDER SLEEVE 6		2		
140	865380-9	HR3541FC NAME PLATE		1	*	
140-1	8580T5-2	HR3541FC NAME PLATE	O	1		
141	911233-1	PAN HEAD SCREW M5X20		2		
142	266211-9	TAPPING SCREW 5X40		2		
143	267066-5	FLAT WASHER 5		2		
144	234051-3	COMPRESSION SPRING 11		1		
145	450255-1	HANDLE BASE		1		

146	419014-2	DUST COVER SUPPORT		1		
147	421912-8	DUST COVER		1		
148	450256-9	HANDLE		1		
149	419025-7	SWITCH LEVER		1		
150	154626-1	SWITCH HOLDER COMPLETE		1		
151	650567-4	SWITCH TG73B-1		1	*	
151-1	650676-9	SWITCH C3PA-1111	<	1		
152	450257-7	HANDLE COVER		1		
153	265995-6	TAPPING SCREW 4X18		1		
154	267383-3	FLAT WASHER 22		1		
155	267721-9	WAVE WASHER 15		1		
156	213083-3	O RING 9		1		
A01	181573-3	GREASE VESSEL 93G		1	*	
A01-1	194683-7	GREASE VESSEL SET	O	1	*	
A01-2	198993-4	GREASE VESSEL SET	<	1		
A02	135209-6	GRIP 36 ASS'Y		1		
C10	265701-9	THUMB SCREW M6X14		1		
C20	266163-4	CUP SQUARE NECK BOLT M8X80		1		
C30	321248-4	DEPTH GAUGE		1		
C40	344491-8	GRIP SPRING 68		1		
C50	344492-6	PLATE		1		
C60	416299-1	SIDE GRIP BASE 68		1		
C70	931302-2	HEX. NUT M6		1		
A03	824819-1	PLASTIC CARRYING CASE		1	*	
C10	163467-4	LATCH		2	*	
A03-1	824825-6	PLASTIC CARRYING CASE	<	1	*	
C10	163467-4	LATCH		2	*	
A03-2	824819-1	PLASTIC CARRYING CASE	O	1		
C10	163467-4	LATCH		2		
A04	443122-7	CLOTH		1	*	
A05	810409-6	CAUTION CARD		1		
B01	195192-9	HAMMER SERVICE KIT SET		1		
C10	181490-7	HAMMER GREASE 30G		1	*	
C11	1914C5-7	GREASE SET	O	1		
B01		INC. 1,3,26-28,42,43,46,122				
F05-1	199143-4	DUST EXTRACTOR ATT SET(EU)	<	1		
F06-1	199143-4	DUST EXTRACTOR ATT SET(EU)	<	1		
F08-1	199144-2	DUST EXTRACTOR ATT SET(EU)	<	1		
C10	417765-1	FRONT CUFF 22		1		
C20	417766-9	FRONT CUFF 38		1		
C30	415021-3	HOSE JOINT		1		
F09-1	199144-2	DUST EXTRACTOR ATT SET(EU)	<	1		
C10	417765-1	FRONT CUFF 22		1		
C20	417766-9	FRONT CUFF 38		1		
C30	415021-3	HOSE JOINT		1		
G12	1914X3-8	DUST EXTRACTION PAD SET		1		

Please state Parts No. when your order.

Print Date 12/02/2024