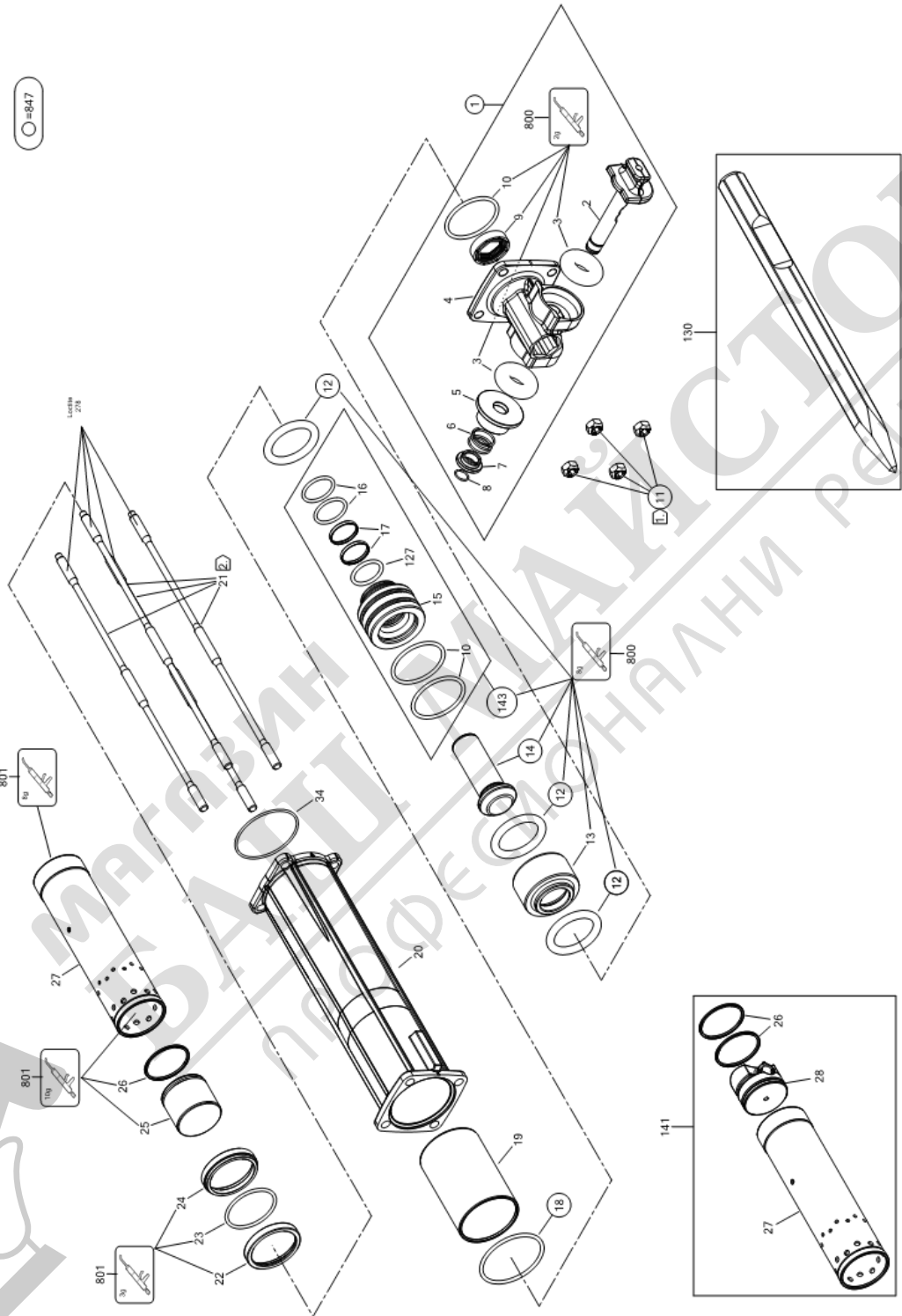
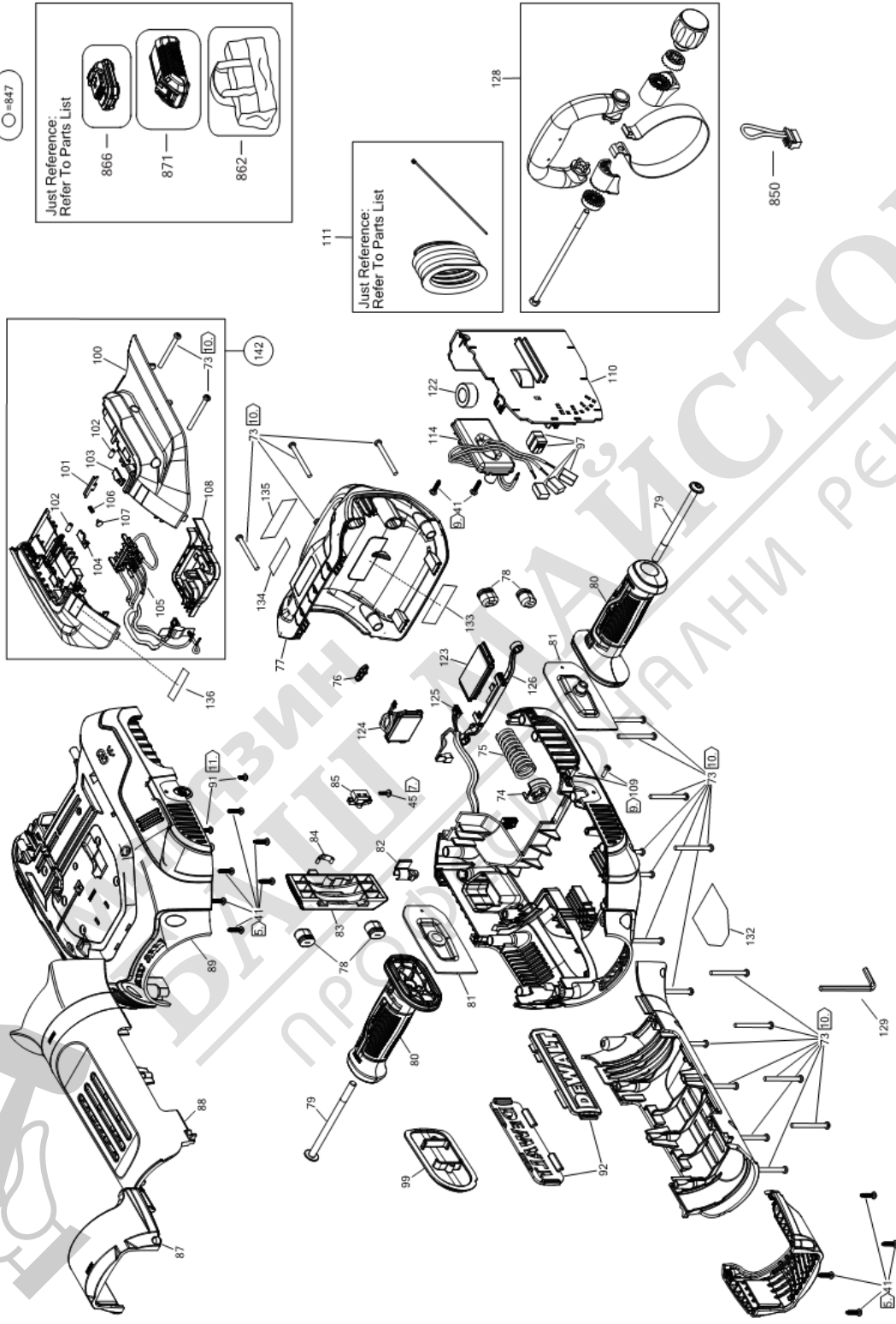


DCH966Z2 Transmission DEMOLITION HAMMER 1



DCH966Z2_Main unit DEMOLITION HAMMER 1



Parts List DCH966Z2 DEMOLITION HAMMER 1

Item	Part Number	Qty	Part Description	General Description	Other Info	Repair Inst	Markets
1	NA355539	1	HOLDER SA			No	QW
2	N777635	1	RETAINER			No	QW
3	478063-00	2	DAMPER			No	QW
4	N777258	1	KEY HOLDER	TOOLHOLDER 15KG MACH		No	QW
5	N777701	1	BUSH			No	QW
6	NA210411	1	SPRING	RETAINER SPRING		No	QW
7	NA263843	1	BOLT			No	QW
8	N281859	1	RING			No	QW
9	NA356928	1	SEAL	TOOLHOLDER SEALING		No	QW
10	N784854	3	O RING			No	QW
11	NA092773	4	NUT	NUT M10 DIN980V		No	QW
12	N662214	3	DAMPER			No	QW
13	N719424	1	TUBE GUIDE			No	QW
14	N719422	1	BEAT PIECE			No	QW
15	N719423	1	SUPPORT. REAR			No	QW
16	NA234398	2	O RING	O-RING 34X3.5 FKM70		No	QW
17	NA160752	2	RING	PTFE RING 15KG		No	QW
18	NA114412	1	O RING	O-RING 72X4 NBR70		No	QW
19	N846104	1	BUSH	STEEL BUSH 15KG		No	QW
20	N776933	1	HOUSING FRONT			No	QW
21	NA085613	4	THREADED ROD			No	QW
22	N654927	1	RING	RING CYLINDER 15KG		No	QW
23	N905036	1	O RING			No	QW
24	NA043935	1	ADAPTOR	CYLINDER RING ADAPTE		No	QW
25	N718762	1	RAM			No	QW
26	N779205	2	PISTON RING	PISTON RING 55X2.5X2		No	QW
27	N715365	1	CYLINDER			No	QW
28	N650468	1	PISTON			No	QW
29	N680414	1	SHAFT	PISTON SHAFT 55		No	QW
30	N784847	1	O RING	O-RING 42X3 FKM 80		No	QW
31	NA355540	1	CON ROD SA			No	QW
32	N650465	1	CON ROD			No	QW

Parts List DCH966Z2 DEMOLITION HAMMER 1

Item	Part Number	Qty	Part Description	General Description	Other Info	Repair Inst	Markets
33	NA321225	1	BUSH	SLIDE BUSH GAR-FIL		No	QW
34	N905034	1	O RING	O-RING 74X2.5 NBR 70		No	QW
35	NA274631	1	WASHER	WASHER, FLAT, 3.0MM		No	QW
36	NA090420	15	SCREW	SCREW M6X20 TORX30		No	QW
37	N794476	1	O RING	O-RING 110X5 NBR 70		No	QW
38	N777687	1	COVER BEARING	COVER, CRANK 15KG		No	QW
39	487229-00	1	FILTER			No	QW
40	N840772	1	FIXED BLOCK			No	QW
41	330065-08	17	SCREW	M4x18 T20		No	QW
42	330065-13	4	SCREW			No	QW
43	N725002	1	BAFFLE			No	QW
45	N427493	1	SCREW			No	QW
46	NA355543	1	STATOR SA	SA STATOR WITH PHASE		No	QW
47	N921860	1	STATOR SA	SA STATOR & CUP		No	QW
48	N886363	1	WIRE HARNESS			No	QW
49	N788601	1	SUPPORT	MOTOR SUPPORT 15KG		No	QW
50	N863510	2	SCREW	SHOULDER SCREW 15KG		No	QW
51	N821601	1	CON ROD	AVS CONROD 15KG		No	QW
52	N823671	1	AXIS			No	QW
53	N776489	1	GEARCASE COVER			No	QW
54	N863312	1	SPRING	WAVE SPRING OD28		No	QW
55	NA355544	1	GEAR SA			No	QW
56	N916835	2	BEARING BALL	BALL BEARING TYPE 60		No	QW
57	N714306	1	GEAR			No	QW
58	N810103	1	PINION GEAR			No	QW
59	N715090	1	INTERGEAR SA	GEAR CRANK WHEEL 15K		No	QW
60	N526266	1	CIRCLIP			No	QW
61	N853807	1	SEAL			No	QW
62	N470873	1	SCREW	M4x8		No	QW
63	NA159604	1	FIXED BLOCK			No	QW
64	NA355545	1	GEARBOX SA			No	QW
65	N083127	1	BEARING BALL			No	QW


Parts List DCH966Z2 DEMOLITION HAMMER 1

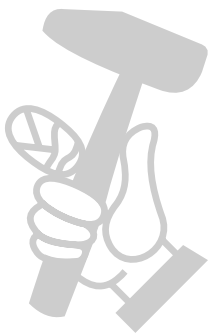
Item	Part Number	Qty	Part Description	General Description	Other Info	Repair Inst	Markets
66	N776205	1	GEARBOX			No	QW
67	577745-03	1	BEARING,BALL			No	QW
68	330003-13	1	BEARING			No	QW
69	949729-03	1	CIRCLIP			No	QW
70	N049232	1	O RING			No	QW
71	N722344	1	CRANKSHAFT			No	QW
72	NA334581	1	ROTOR SA			No	QW
73	330019-18	22	SCREW	M4.55 x 50 PLASTIC T		No	QW
74	NA151466	1	ADAPTOR	SPRING ADAPTER		No	QW
75	N777712	1	SPRING			No	QW
76	NA029127	1	GUIDE BLOCK			No	QW
77	N729426	1	HANDLE UPPER			No	QW
78	N704275	4	BUFFER			No	QW
79	N876031	2	SCREW	SCREW M8X120		No	QW
80	NA072270	2	SIDE HANDLE			No	QW
81	N837517	2	BASEPLATE SA			No	QW
82	N866122	1	COUNTER BALANCE			No	QW
83	N802852	1	SLIDE	SWITCH SLIDER		No	QW
84	N520790	1	DETENT			No	QW
85	N885510	1	MICRO SWITCH			No	QW
87	NA072281	1	END PANEL. FRONT			No	QW
88	NA072278	1	COVER-TOP			No	QW
89	NA141523	1	HOUSING			No	QW
91	330065-04	2	SCREW			No	QW
92	NA072282	2	PAD			No	QW
97	N590957	5	CONNECTOR	WAGO 2-WIRE		No	QW
99	NA072275	1	COVER			No	QW
100	NA072283	1	CAGE	SA BATTERY CAGE 15KG		No	QW
101	N467560	1	PLATE			No	QW
102	N487311	2	RUBBER			No	QW
103	N728012	1	INSERT			No	QW
104	N728013	1	INSERT			No	QW

Parts List DCH966Z2 DEMOLITION HAMMER 1

Item	Part Number	Qty	Part Description	General Description	Other Info	Repair Inst	Markets
105	NA298079	1	WIRE HARNESS	SA WH TERM BLK 15KG		No	QW
106	N461735	1	SPRING			No	QW
107	N091479	1	MOUNT			No	QW
108	NA002949	1	CABLE GUIDE			No	QW
109	330019-02	2	SCREW			No	QW
110	N910334	1	BOARD			No	QW
111	NA355549	1	TUBE SA			No	QW
114	NA355550	1	MODULE	SA MODULE 15KG PACKE		No	QW
122	N928626	1	MAGNETRON			No	QW
123	N889840	1	MODULE	USER INTERFACE MODUL		No	QW
124	N859968	1	MODULE	WTC module		No	QW
125	N756762	1	WIRE HARNESS			No	QW
126	NA072456	1	HOLDER			No	QW
127	N784846	1	O RING	O-RING 32X4 FKM 75		No	QW
128	N873311	1	HANDLE SIDE SA	SA AUXILIARY HANDLE		No	QW
129	322929	1	HEX KEY			No	QW
130	N507915	1	BREAKER	CHISEL BIT BULL POIN		No	QW
132	NA234481	1	RATING LABEL			No	QW
133	NA165857	1	LABEL			No	QW
134	N196044	1	LABEL			No	QW
135	NA234485	1	LABEL			No	QW
136	N929414	1	LABEL			No	QW
139	NA411717	1	GEARBOX SA	SA GEARBOX WITH CRAN		No	QW
140	NA411374	1	CRANK KIT	SA CRANK WHEEL		No	QW
141	NA495070	1	CYLINDER SA			No	QW
142	NA499598	1	CAGE	SA BATTERY CAGE ASSE		No	QW
143	NA499597	1	GUIDE SA	SA GUIDE BP REAR SER		No	QW
144	N894888	1	STOP RUBBER			No	QW
800	870889-02	1	GREASE			No	QW
801	578970-06	1	GREASE 150 GMS			No	QW
847	NA499596	1	SERVICE KIT			No	QW
850	NA514097	1	WIRE HARNESS	Reset Connector		No	QW

Parts List DCH966Z2 DEMOLITION HAMMER 1

Item	Part Number	Qty	Part Description	General Description	Other Info	Repair Inst	Markets
866	NA167840	2	BATTERY 3x18V - 15.0AH - 270WH	54V - 15AH - 270WH		No	QW
871	NA534497	1	CHARGER	18V XR 12A FAST CHAR		No 	QW



МАГАЗИН
БАШ МАЙСТОРА
 ПРОФЕСИОНАЛНИ РЕШЕНИЯ