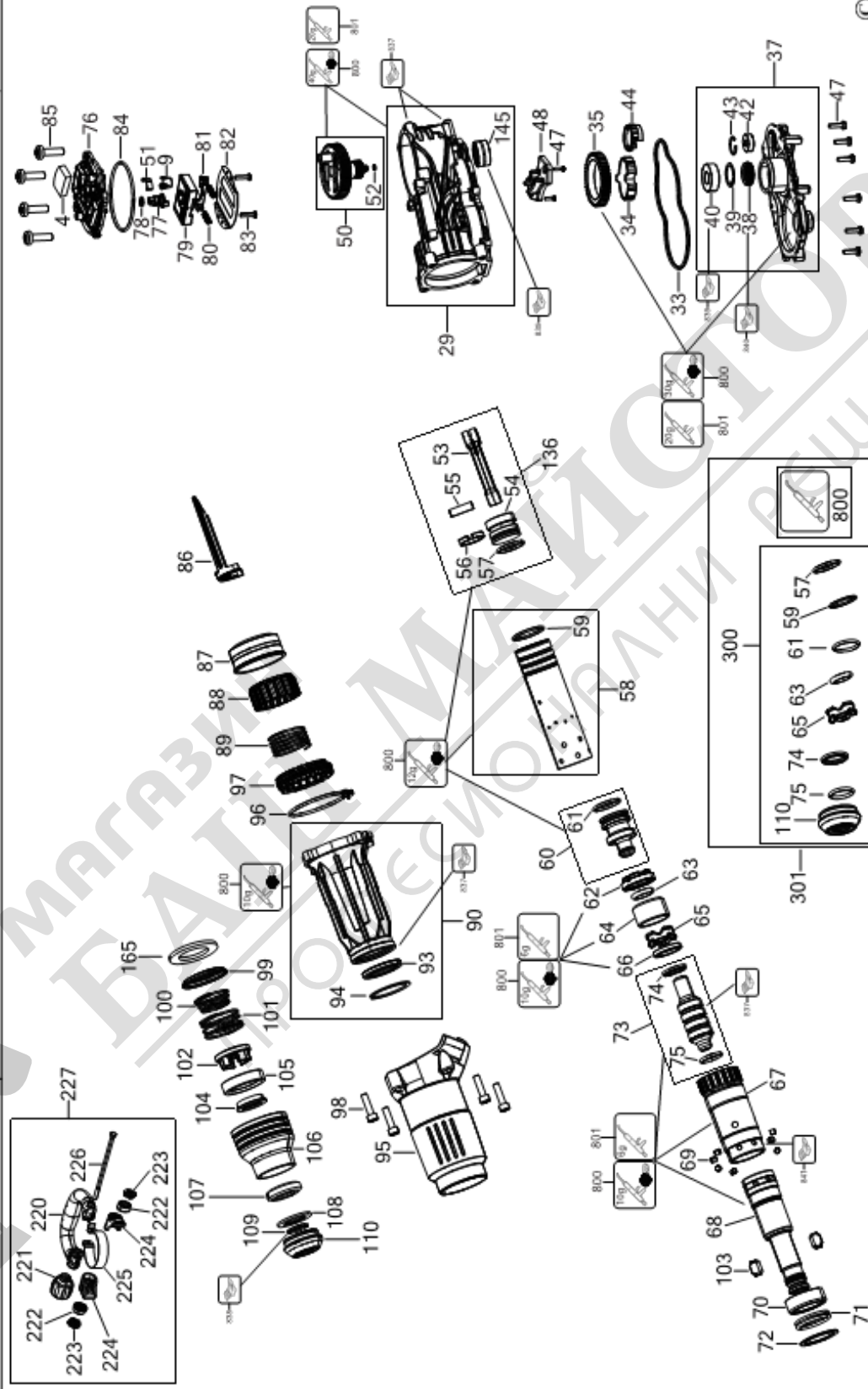


DEWALT

DCH892

TYP.
1



E21089

www.2helpu.com

17-11-2021

МАГАЗИНЫ
РАСЧЕТ



Parts List DCH892N CHIPPING HAMMER 1

| Item | Part Number | Qty | Part Description | General Description | Other Info | Repair Inst | Markets |
|------|-------------|-----|------------------|---------------------|------------|-------------|---------|
| 1 | N454966 | 1 | END CAP | | | No | XJ |
| 2 | N426918 | 1 | HOUSING MOTOR | | | No | XJ |
| 3 | N548557 | 8 | SCREW | | | No | XJ |
| 4 | N481045 | 1 | FELT | | | No | XJ |
| 5 | 330065-08 | 4 | SCREW | M4x18 T20 | | No | XJ |
| 7 | NA109211 | 1 | SELECTOR | | | No | XJ |
| 8 | N402322 | 1 | SIDE RH | | | No | XJ |
| 9 | N607940 | 1 | CAP | | | No | XJ |
| 10 | N402321 | 1 | SIDE LH | | | No | XJ |
| 11 | N513722 | 1 | COVER-TOP | | | No | XJ |
| 12 | N548557 | 4 | SCREW | | | No | XJ |
| 13 | N453525 | 1 | PIN | | | No | XJ |
| 14 | 330065-08 | 1 | SCREW | M4x18 T20 | | No | XJ |
| 15 | 330065-08 | 2 | SCREW | M4x18 T20 | | No | XJ |
| 16 | N548557 | 4 | SCREW | | | No | XJ |
| 17 | NA092857 | 1 | COVER REAR | | | No | XJ |
| 18 | N497944 | 1 | BELLOWS | | | No | XJ |
| 19 | NA098577 | 1 | LENS | | | No | XJ |
| 20 | N680282 | 2 | RUBBER | | | No | XJ |
| 21 | 330065-08 | 1 | SCREW | M4x18 T20 | | No | XJ |
| 22 | N565828 | 1 | RETAINER | | | No | XJ |
| 23 | 330065-06 | 1 | SCREW | | | No | XJ |
| 24 | N122099 | 1 | BLOCK | | | No | XJ |
| 25 | N461735 | 1 | SPRING | | | No | XJ |
| 26 | N728012 | 1 | INSERT | | | No | XJ |
| 27 | N728013 | 1 | INSERT | | | No | XJ |
| 28 | N467560 | 1 | PLATE | | | No | XJ |
| 29 | N850598 | 1 | HOUSING SA | | | No | XJ |
| 30 | N518219 | 1 | BUTTON | | | No | XJ |
| 31 | N152623 | 1 | STOP | | | No | XJ |
| 33 | N447147 | 1 | SEAL | | | No | XJ |
| 34 | N781072 | 1 | BEARING SINTER | | | No | XJ |

Parts List DCH892N CHIPPING HAMMER 1

| Item | Part Number | Qty | Part Description | General Description | Other Info | Repair Inst | Markets |
|------|-------------|-----|-------------------|---------------------|------------|-------------|---------|
| 35 | N580506 | 1 | GEAR | | | No | XJ |
| 36 | NA002836 | 1 | CLAMSHELL SET | | | No | XJ |
| 37 | N851025 | 1 | GEARCASE COVER SA | | | No | XJ |
| 38 | N422626 | 1 | SEAL | | | No | XJ |
| 39 | 488147-01 | 1 | CIRCLIP | | | No | XJ |
| 40 | 330003-13 | 1 | BEARING | | | No | XJ |
| 42 | 330003-60 | 1 | BEARING | | | No | XJ |
| 43 | N362699 | 1 | CIRCLIP | | | No | XJ |
| 44 | N537281 | 1 | SPACER | | | No | XJ |
| 47 | N548557 | 8 | SCREW | | | No | XJ |
| 48 | N783357 | 1 | CLAMP | | | No | XJ |
| 50 | N580511 | 1 | CRANKSHAFT | | | No | XJ |
| 51 | N520790 | 1 | DETENT | | | No | XJ |
| 52 | N537973 | 1 | O RING | | | No | XJ |
| 53 | N662675 | 1 | CON ROD | | | No | XJ |
| 54 | N431764 | 1 | PISTON | | | No | XJ |
| 55 | N026610 | 1 | PIN | | | No | XJ |
| 56 | N439990 | 1 | PISTON RING | | | No | XJ |
| 57 | 487296-00 | 1 | O RING | | | No | XJ |
| 58 | N851029 | 1 | CYLINDER SA | | | No | XJ |
| 59 | N587667 | 1 | O RING | | | No | XJ |
| 60 | N580521 | 1 | RAM SA | | | No | XJ |
| 61 | 487296-00 | 1 | O RING | | | No | XJ |
| 62 | N400498 | 1 | BUSH | | | No | XJ |
| 63 | N389365 | 1 | O RING | | | No | XJ |
| 64 | N476023 | 1 | DAMPER | | | No | XJ |
| 65 | N515559 | 1 | DAMPER | | | No | XJ |
| 66 | N389693 | 1 | WASHER | | | No | XJ |
| 67 | N580522 | 1 | SPINDLE | | | No | XJ |
| 68 | N580524 | 1 | SPINDLE | | | No | XJ |
| 69 | N548304 | 5 | PIN | | | No | XJ |
| 70 | N475966 | 1 | RING | | | No | XJ |

Parts List DCH892N CHIPPING HAMMER 1

| Item | Part Number | Qty | Part Description | General Description | Other Info | Repair Inst | Markets |
|------|-------------|-----|------------------|---------------------|------------|-------------|---------|
| 71 | N514255 | 1 | DAMPER | | | No | XJ |
| 72 | N392234 | 2 | WASHER | | | No | XJ |
| 73 | N580525 | 1 | BEAT PIECE | | | No | XJ |
| 74 | N594490 | 1 | SEAL | | | No | XJ |
| 75 | N432561 | 1 | O RING | | | No | XJ |
| 76 | N409943 | 1 | COVER | | | No | XJ |
| 77 | N504016 | 1 | ECCENTRIC | | | No | XJ |
| 78 | N515556 | 1 | O RING | | | No | XJ |
| 79 | N410143 | 1 | SLIDER | | | No | XJ |
| 80 | N520791 | 2 | SPRING | | | No | XJ |
| 81 | N410898 | 1 | CONNECTOR | | | No | XJ |
| 82 | N427022 | 1 | PLATE | | | No | XJ |
| 83 | 330065-08 | 2 | SCREW | M4x18 T20 | | No | XJ |
| 84 | N455140 | 1 | O RING | | | No | XJ |
| 85 | N548557 | 4 | SCREW | | | No | XJ |
| 86 | N481044 | 1 | SLIDER | | | No | XJ |
| 87 | N408081 | 1 | BUSH | | | No | XJ |
| 88 | N580533 | 1 | SLEEVE | | | No | XJ |
| 89 | N497938 | 1 | SPRING | | | No | XJ |
| 90 | N580535 | 1 | HOUSING FRONT | | | No | XJ |
| 91 | N518220 | 1 | SPRING | | | No | XJ |
| 93 | N392582 | 1 | SEAL | | | No | XJ |
| 94 | N181847 | 1 | LOCKING RING | | | No | XJ |
| 95 | N416528 | 1 | COVER HOUSING | | | No | XJ |
| 96 | N431324 | 1 | GASKET | | | No | XJ |
| 97 | N420195 | 1 | BUSH | | | No | XJ |
| 98 | 949886-32 | 4 | SCREW | | | No | XJ |
| 99 | N516486 | 1 | GUIDE | | | No | XJ |
| 100 | N520784 | 1 | SPRING | | | No | XJ |
| 101 | N520782 | 1 | SPRING | | | No | XJ |
| 102 | N408040 | 1 | BUSH | | | No | XJ |
| 103 | N511836 | 2 | LOCKING DEVICE | | | No | XJ |

Parts List DCH892N CHIPPING HAMMER 1

| Item | Part Number | Qty | Part Description | General Description | Other Info | Repair Inst | Markets |
|------|-------------|-----|-------------------|---------------------|------------|-------------|---------|
| 104 | N511805 | 1 | DAMPER | | | No | XJ |
| 105 | N511834 | 1 | BUSH | | | No | XJ |
| 106 | N468816 | 1 | SLEEVE | | | No | XJ |
| 107 | NA176490 | 1 | RUBBER | | | No | XJ |
| 108 | N516487 | 1 | WASHER | | | No | XJ |
| 109 | N522784 | 1 | RETAINER | | | No | XJ |
| 110 | NA176495 | 1 | SEAL | | | No | XJ |
| 111 | NA114352 | 1 | LABEL | | LED LABEL | No | XJ |
| 136 | N580512 | 1 | PISTON SA | | | No | XJ |
| 140 | NA002226 | 1 | BRAND LABEL | 54V BRUSHLESS RH | 54V | No | XJ |
| 141 | NA002225 | 1 | BRAND LABEL | 54V BRUSHLESS LH | 54V | No | XJ |
| 142 | N929414 | 2 | LABEL | | | No | XJ |
| 143 | N507221 | 1 | LABEL | | NOISE | No | XJ |
| 144 | N551374 | 1 | LABEL | | | No | XJ |
| 145 | N408073 | 1 | BEARING,NEEDLE | | | No | XJ |
| 146 | NA114349 | 1 | RATING PLATE | | EURO | No | XJ |
| 148 | N665053 | 1 | LABEL | | | No | XJ |
| 150 | 330065-35 | 2 | SCREW | | | No | XJ |
| 151 | 330065-08 | 8 | SCREW | M4x18 T20 | | No | XJ |
| 152 | N501559 | 1 | SPRING | | | No | XJ |
| 153 | N497943 | 1 | BELLOWS | | | No | XJ |
| 160 | N592375 | 1 | ROTOR SA | | | No | XJ |
| 161 | 330019-05 | 4 | SCREW | | | No | XJ |
| 162 | N417208 | 1 | BAFFLE | | | No | XJ |
| 165 | N578605 | 1 | FELT | | | No | XJ |
| 166 | NA144538 | 1 | MOTOR & SWITCH SA | | | No | XJ |
| 170 | N747545 | 1 | MODULE | | | No | XJ |
| 195 | 90611830 | 2 | SCREW | | TRACKER | No | XJ |
| 220 | N536691 | 1 | SIDE HANDLE | | | No | XJ |
| 221 | 487291-00 | 1 | KNOB SA | | | No | XJ |
| 222 | 479317-00 | 2 | WASHER LOCK | | | No | XJ |
| 223 | 479319-00 | 2 | CLAMPING INSERT | | | No | XJ |

Parts List DCH892N CHIPPING HAMMER 1

| Item | Part Number | Qty | Part Description | General Description | Other Info | Repair Inst | Markets |
|------|-------------|-----|-----------------------|---------------------|------------|-------------|---------|
| 224 | 479320-00 | 2 | WASHER CLAMP | | | No | XJ |
| 225 | N470725 | 1 | CLAMP | | | No | XJ |
| 226 | 487343-00 | 1 | BOLT | | | No | XJ |
| 227 | N470872 | 1 | LOOP HANDLE | | | No | XJ |
| 300 | N745048 | 1 | SERVICE KIT | | | No | XJ |
| 800 | 578970-06 | 1 | GREASE 150 GMS | | | No | XJ |
| 801 | 870889-02 | 1 | GREASE | | | No | XJ |
| 837 | 1003973-99 | 1 | S.T.SEAL FITTING TOOL | | | No | XJ |
| 837 | 1003971-99 | 1 | S.T.SEAL FITTING TOOL | | | No | XJ |
| 837 | 1003975-99 | 1 | S.T.INSERTION TOOL | | | No | XJ |
| 837 | 1003974-99 | 1 | S.T.SUPPORT JIG | | | No | XJ |
| 838 | 559651-99 | 1 | S.T.CIRCLIP REMOVER | | | No | XJ |
| 838 | 1003976-99 | 1 | S.T.CIRCLIP REMOVER | | | No | XJ |
| 839 | 1003979-99 | 1 | S.T.BEARING INSERTOR | | | No | XJ |
| 840 | 1003978-99 | 1 | S.T.INSERTION TOOL | | | No | XJ |
| 841 | 1003977-99 | 1 | S.T.PULLER | | | No | XJ |
| 850 | N544162 | 1 | SERVICE TOOL | | | No | XJ |
| 861 | N895775 | 1 | KITBOX | | | No | XJ |

