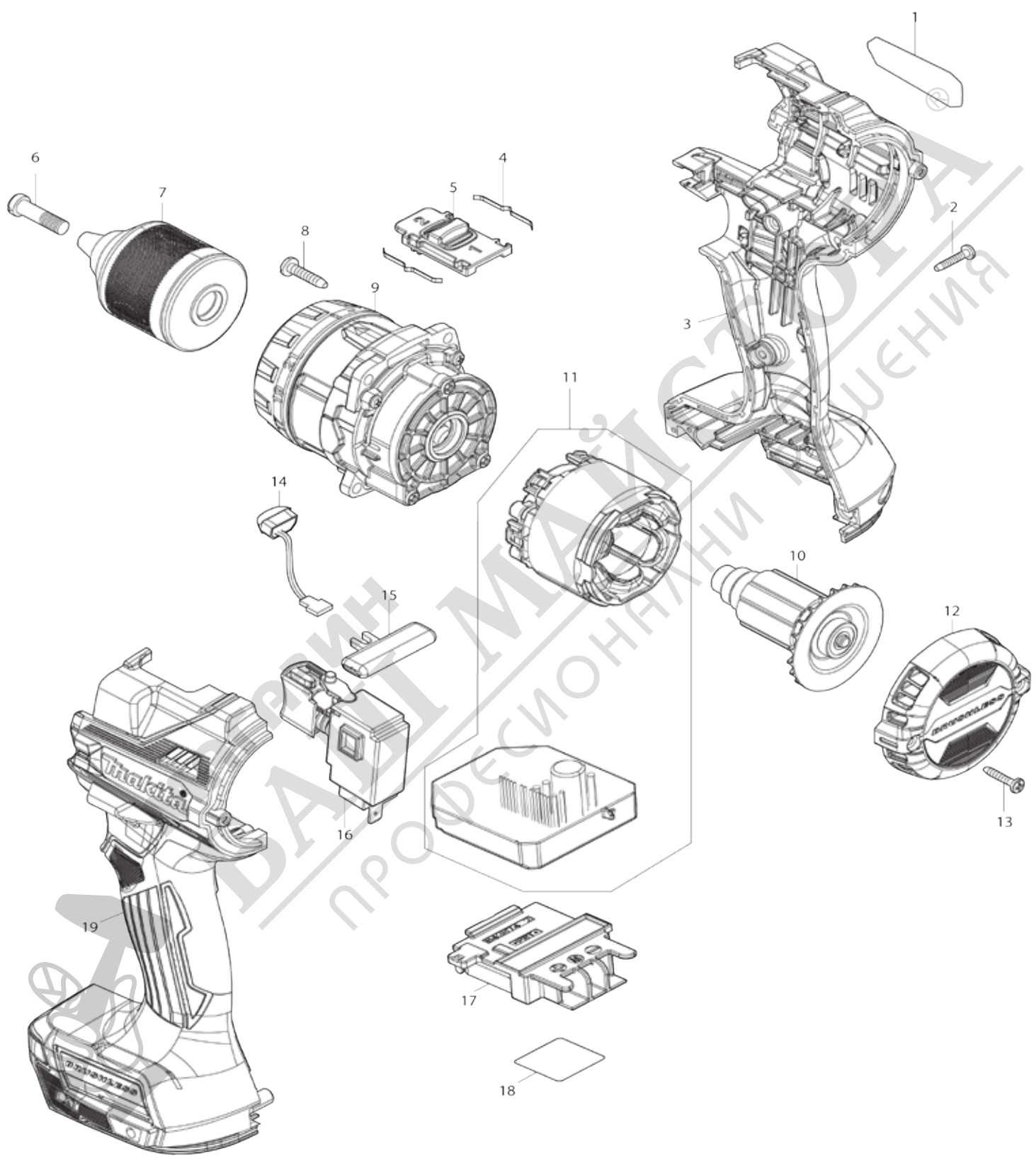


Model No.DDF492 CORDLESS DRIVER DRILL



Model No.DDF492 CORDLESS DRIVER DRILL

Item No.	Parts No.	Description	Interchangability	Q'ty	New/Old	Note1	Note2
001	8150V0-9	Name plate DDF492		1			
002	266130-9	Binding head tapping screw 3X16		7			
003	1831F6-2	Housing set		1			
C10	263005-3	Rubber pin 6		2			
C20	252126-6	Hex. lock nut M4-7		2			
003		INC. 19					
004	232493-5	Leaf spring		2			
005	4132E1-0	Speed change lever		1			
006	251468-5	Slotted flat head screw M6X22		1			
007	763252-1	Keyless drill chuck 13		1			
008	265B67-9	Binding head tapping screw 4X18		4			
009	122H98-6	Gear assembly		1			
010	619656-4	Rotor		1			
011	629D46-7	Stator complete		1			
012	413405-9	Rear cover		1			
013	266130-9	Binding head tapping screw 3X16		2			
014	620549-0	LED circuit		1			
015	419041-9	F/R change lever		1			
016	651443-5	Switch C3JR-4B		1			
017	643874-2	Terminal		1			
018	8150V1-7	Serial No. label DDF492		1			
019	1831F6-2	Housing set		1			
C10	263005-3	Rubber pin 6		2			
C20	252126-6	Hex. lock nut M4-7		2			
019		INC. 3					
A01	122F13-8	Grip assembly		1			
C10	141R99-5	Pole complete		1			
C20	140X19-2	Arm R complete		1			
C30	266886-4	Hex. head bolt M8X65		1			
C40	312C73-2	Arm L		1			
C50	962055-2	Retaining ring (INT) R-15		1			
A02	251314-2	Truss head screw M4X12		2			
A03	346317-0	Hook		1			
A04	452947-8	Bit holder		1			
A05	784637-8	Phillips slotted bit 2-45		2			
A06B	821550-0	Connector plastic case (type 2)		1			
C10	453974-8	Latch		4			
A07B	837916-4	Inner tray		1			
A08B	***DC18RC	DC18RC FAST CHARGER		1			
A08B		COMPO-PARTS					
A09B	450128-8	Battery cover		1			
A10B	197280-8	Battery BL1850B set		2			
F02	1917P9-8	DRILL STAND SET		1			

Please state Parts No. when your order.

Print Date 09/08/2025