

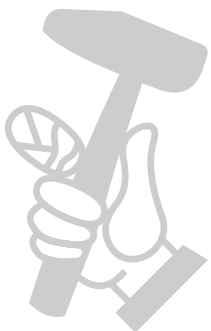


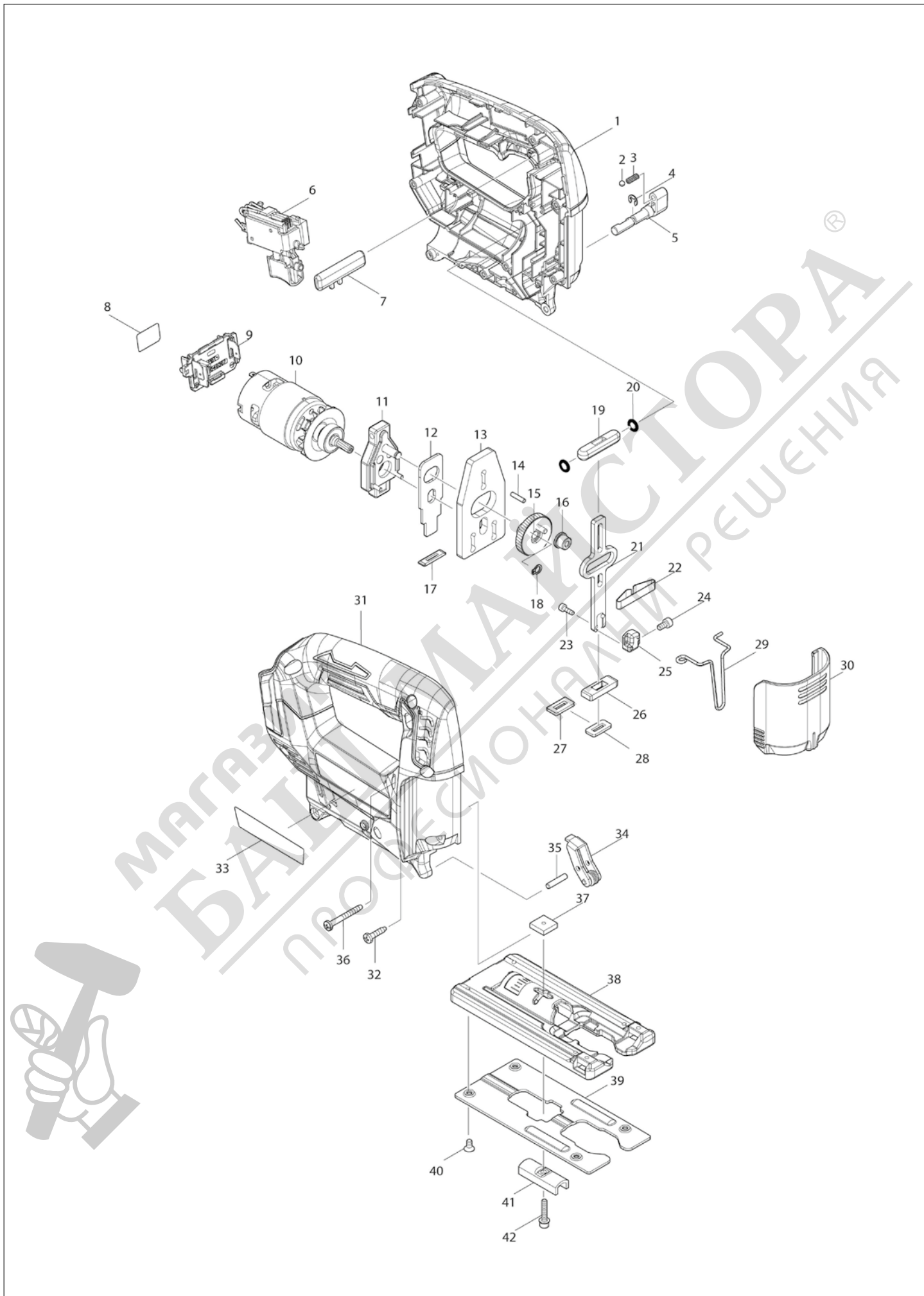
GB | UNITED KINGDOM

Diagram / Parts List

DJV186

Cordless Jig Saw





GB	UNITED KINGDOM
-----------	-----------------------

DJV186 / Cordless Jig Saw

Item	Sub	Parts No.	Parts Description	Qty	I/C	E/C No.	Close No.	Remark
001		1831K6-7	Housing set	1				
	C10	263005-3	Rubber pin 6	2				
	D10		INC. 31					
002		216008-6	Steel ball 4	1				
003		233151-6	Compression spring 4	1				
004		961011-9	Stop ring (EXT) E-4	1				
005		272239-7	Lever 18	1				
006		632W35-7	SWITCH UNIT	1				
007		454742-2	Lock off button	1				
008		8150U7-8	Serial No. label DJV186	1				
009		654938-7	Terminal	1				
010		629113-4	DC motor	1				
011		152600-3	Bearing case complete	1				
012		344683-9	Push plate	1				
013		344614-8	Balance plate	1				
014		256254-9	Pin 3	1				
015		153260-4	Gear complete	1				
016		257683-9	Shoulder sleeve 4	1				
017		416703-0	Dust seal	1				
018		961002-0	Retaining ring (EXT) S-6	1				
019		313082-6	Slider guide	1				
020		213038-8	O-ring 5	2				
021		344613-0	Slider	1				
022		232183-0	Leaf spring	1				
023		266177-3	Hex. socket head bolt M3X10	2				
024		922107-1	Hex. socket head bolt M4X8	1				
025		313140-8	Blade clamp	1				
026		313086-8	Slider support	1				
027		344686-3	Seal plate	1				
028		423307-1	Polyurethane sponge seal	1				
029		323748-0	Safety wire	1				
030		416476-5	Dust cover	1				
031		1831K6-7	Housing set	1				
	C10	263005-3	Rubber pin 6	2				
	D10		INC. 1					
032		266326-2	Binding head tapping screw 4X18	8				
033		8150U6-0	Name plate DJV186	1				
034		158392-2	Retainer complete	1				
035		256117-9	Pin 4	1				
036		266351-3	Binding head tapping screw 4X35	1				
037		343540-8	Holder	1				
038		317796-9	Base	1				
039		345441-6	Base plate	1				
040		912107-9	Countersunk head screw M4X8	4				
041		344685-5	Clamp plate	1				
042		922138-0	Hex. socket head bolt M4X20 WR	1				
A01		A-85628	JIGSAW BLADE NO.B10	1				
A02		783201-2	Hex. wrench 3	1				
A03B		450128-8	Battery cover	2				
A03D		450128-8	Battery cover	2				
A04B		***DC18SD	DC18SD BATTERY CHARGER	1				
	D10		COMPO-PARTS					
A04D		***DC18WC	DC18WC BATTERY CHARGER	1				
	D10		COMPO-PARTS					
A05B		197600-6	Battery BL1830B set	2				
A05D		197600-6	Battery BL1830B set	2				
A06B		821550-0	Connector plastic case (type 2)	1				
	C10	453974-8	Latch	4				
A06D		821550-0	Connector plastic case (type 2)	1				
	C10	453974-8	Latch	4				
A07B		836549-2	Inner tray	1			E0912	
A07-1B		836A35-9	INNER TRAY	1	<	E0912		
A07-1D		836A35-9	INNER TRAY	1				
F05B		1913K5-7	Push clamp set	1		DV765		
F05C		1913K5-7	Push clamp set	1		DV765		

B:DJV186SF(H)
C:DJV186Z(N)
D:DJV186F001(H)

Interchange
O : Yes
X : No
< : the new part can be substituted for the current.
> : the current part can be substituted for the new.
S : Interchangeable as a set.

