



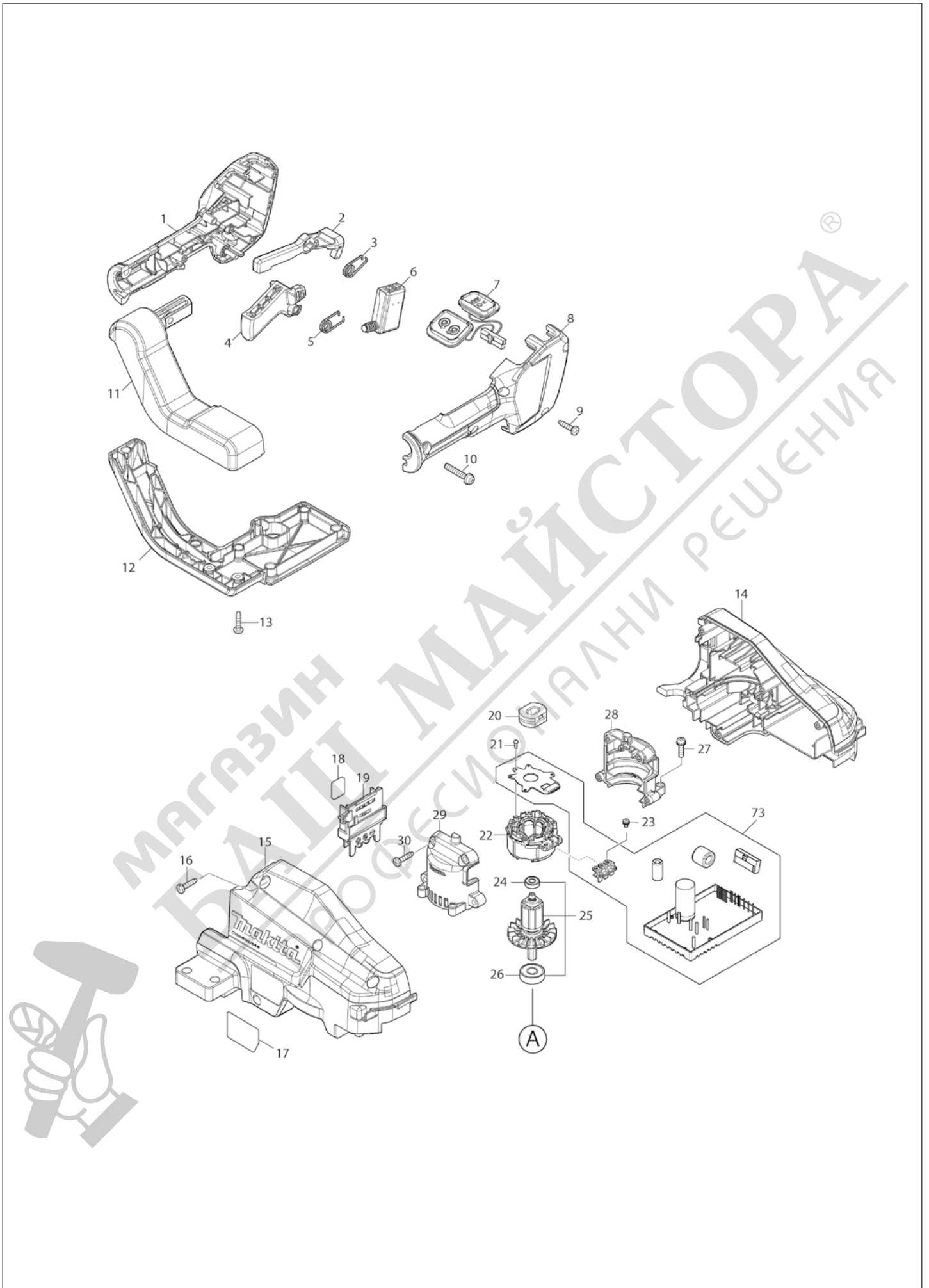
GB | UNITED KINGDOM

Diagram / Parts List

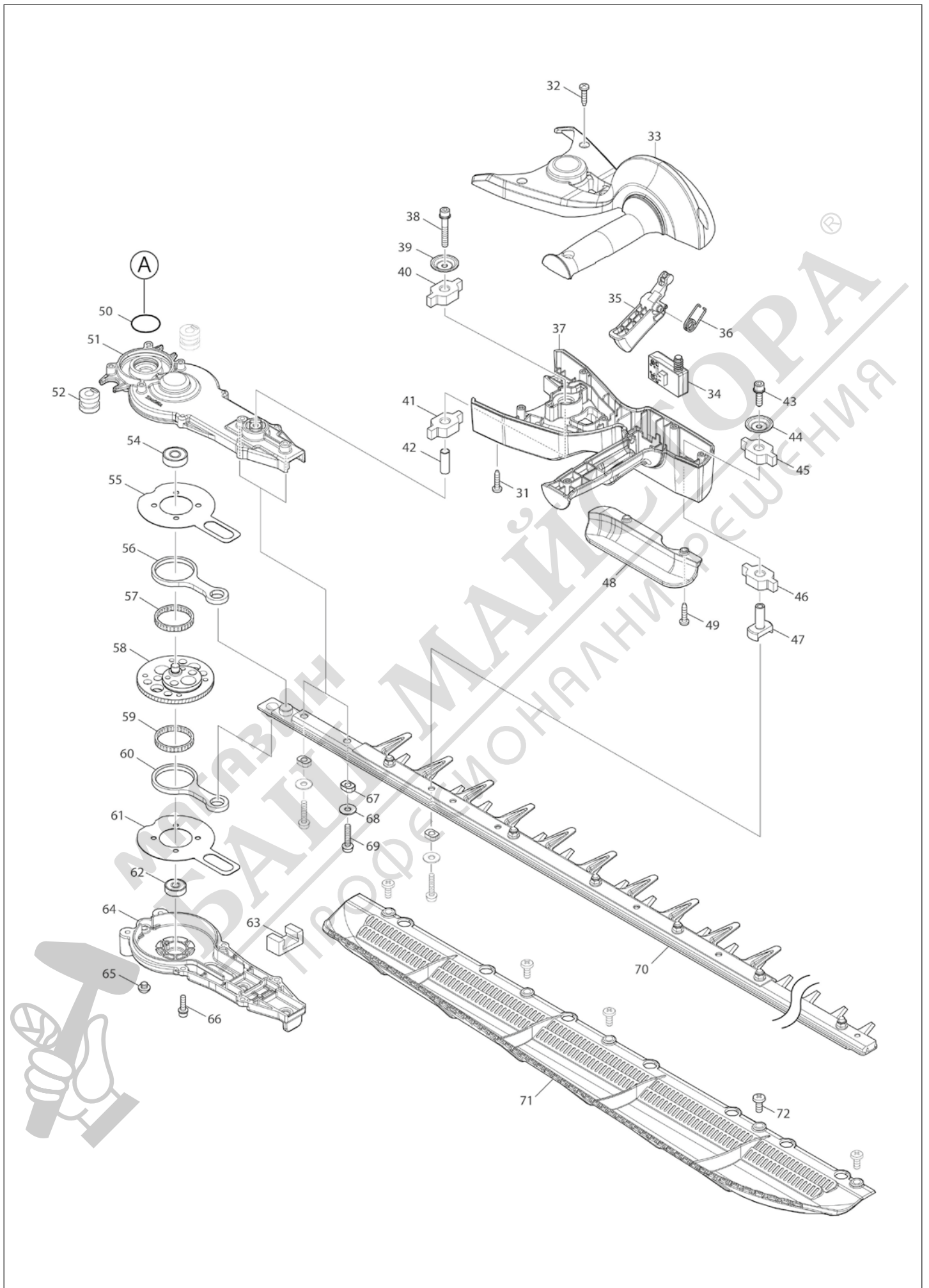
DUH754S

750MM CORDLESS HEDGE TRIMMER





(GB) DUH754S / 750MM CORDLESS HEDGE TRIMMER



GB | UNITED KINGDOM
DUH754S / 750MM CORDLESS HEDGE TRIMMER

Item	Sub	Parts No.	Parts Description	Qty	I/C	E/C No.	Close No.	Remark
001		183N66-0	Grip set	1				
	C10	252180-0	Hex. lock nut M5-8	1				
	D10		INC. 8					
002		455629-1	Lock off lever	1			DP453	
002-1		413Y35-6	Lock off lever	1	O	DP453		
003		233621-5	Torsion spring 9	1				
004		412315-7	Switch lever R	1				
005		233621-5	Torsion spring 9	1				
006		651083-9	Switch C3XA-1PSPM	1				
007		140S92-2	Sub controller complete	1				
	C10	8008M5-7	Switch label	1				
	C20	8008M7-3	Indication label	1				
008		183N66-0	Grip set	1				
	C10	252180-0	Hex. lock nut M5-8	1				
	D10		INC. 1					
009		266326-2	Binding head tapping screw 4X18	4				
010		911253-5	Pan head screw M5X30 WR	1				
011		412311-5	Grip joint cover	1				
012		412310-7	Grip joint	1				
013		266326-2	Binding head tapping screw 4X18	8				
014		183N69-4	Housing set	1			DY813	
	C10	263005-3	Rubber pin 6	2			DY813	
	C20	424344-8	Damper	4			DY813	
	D10		INC. 15				DY813	
014-1		183N69-4	Housing set	1	O	DY813		
	C10	263005-3	Rubber pin 6	2		DY813		
	C20	424344-8	Damper	4		DY813		
	D10		INC. 15			DY813		
015		183N69-4	Housing set	1			DY813	
	C10	263005-3	Rubber pin 6	2			DY813	
	C20	424344-8	Damper	4			DY813	
	D10		INC. 14				DY813	
015-1		183N69-4	Housing set	1	O	DY813		
	C10	263005-3	Rubber pin 6	2		DY813		
	C20	424344-8	Damper	4		DY813		
	D10		INC. 14			DY813		
016		266326-2	Binding head tapping screw 4X18	4				
017		856R38-9	Name plate DUH754S	1				
018		856R41-0	Serial No. label DUH754S	1				
019		643874-2	Terminal	1				
020		422261-6	Rubber sleeve	1				
021		266490-9	Pan head tapping screw 2X6	3				
022		629352-6	Stator	1				
023		652069-6	Flat head screw M3X6	3				
024		211157-4	Ball bearing 695ZZ	1				
025		510448-3	Rotor assembly	1				
	D10		INC. 24,26					
026		210005-4	Ball bearing 608DDW	1				
027		911128-8	Pan head screw M4X16 WR	4				
028		183L66-8	Motor housing set	1			DK013	
	D10		INC. 29				DK013	
028-1		183L66-8	Motor housing set	1	<	DK013		
	D10		INC. 29			DK013		
029		183L66-8	Motor housing set	1			DK013	
	D10		INC. 28				DK013	
029-1		183L66-8	Motor housing set	1	<	DK013		
	D10		INC. 28			DK013		
030		266326-2	Binding head tapping screw 4X18	4				
031		266326-2	Binding head tapping screw 4X18	4				
032		266326-2	Binding head tapping screw 4X18	6				
033		183P30-3	Front grip set	1			DT225	
	C10	8008M9-9	Caution label	1			DT225	
	D10		INC. 37				DT225	
033-1		1830Y0-1	Front grip set	1	O	DT225		
	C10	8074L5-7	Caution label	1		DT225		

B:DUH754SRGE(H)
C:DUH754SZ(N)
D:DUH754SRT(H)

Interchange
O: Yes
X: No
<: the new part can be substituted for the current.
>: the current part can be substituted for the new.
S: Interchangeable as a set.

GB | UNITED KINGDOM
DUH754S / 750MM CORDLESS HEDGE TRIMMER

Item	Sub	Parts No.	Parts Description	Qty	I/C	E/C No.	Close No.	Remark
	D10		INC. 37			DT225		
034		651083-9	Switch C3XA-1PSPM	1				
035		412316-5	Switch lever F	1				
036		233621-5	Torsion spring 9	1				
037		183P30-3	Front grip set	1			DT225	
	C10	8008M9-9	Caution label	1			DT225	
	D10		INC. 33				DT225	
037-1		1830Y0-1	Front grip set	1	O	DT225		
	C10	8074L5-7	Caution label	1		DT225		
	D10		INC. 33			DT225		
038		251476-6	Hex. socket head bolt M5X35 WR	1			DJ608	
038-1		265D13-4	Hex. socket head bolt M5X35 WRM	1	O	DJ608	DX308	
038-2		265E44-9	Hex. socket head bolt M5X35 WRM	1	<	DX308		
039		253416-0	Dish washer 5	1				
040		422260-8	Rubber sleeve 8	1				
041		422260-8	Rubber sleeve 8	1				
042		257678-2	Sleeve 6	1				
043		922228-9	Hex. socket head bolt M5X18 WR	1				
044		253416-0	Dish washer 5	1				
045		422260-8	Rubber sleeve 8	1				
046		422260-8	Rubber sleeve 8	1				
047		327535-9	Connector	1				
048		412317-3	Lower guard	1				
049		266326-2	Binding head tapping screw 4X18	2				
050		213961-7	O-ring 22	1				
051		140S12-6	Gear housing complete	1			DN522	
	C10	424344-8	Damper	1			DN522	
051-1		140S12-6	Gear housing complete	1	O	DN522		
	C10	424344-8	Damper	1		DN522		
052		422259-3	Rubber sleeve 8	2				
054B		211032-4	Ball bearing 608ZZ	1			D0926	
054C		211032-4	Ball bearing 608ZZ	1			D0926	
054-1B		210223-4	Ball bearing 608ZZ	1	O	D0926		
054-1C		210223-4	Ball bearing 608ZZ	1	O	D0926		
054-1D		210223-4	Ball bearing 608ZZ	1				
055		347361-0	Friction plate	1				
056		347662-6	Connecting rod	1				
057		212229-8	Needle cage 315	1				
058		140R63-3	Gear complete	1				
059		212229-8	Needle cage 315	1				
060		347662-6	Connecting rod	1				
061		347361-0	Friction plate	1				
062		211499-6	Ball bearing 626ZZ	1				
063		443159-4	Seal	1				
064		140B62-9	Gear housing cover complete	1			DN522	
064-1		140B62-9	Gear housing cover complete	1	O	DN522		
065		266559-9	Hex. socket button head bolt M6X4	1				
066		922128-3	Hex. socket head bolt M4X16 WR	6				
067		310983-9	Sleeve 5	3				
068		253804-1	Flat washer 6	3			D4810	
069		265182-7	Pan head screw M5X25	3			D4810	
069-1		265B66-1	Pan head screw M5X25 WR	3	S	D4810		
070		191D39-9	Shear blade assembly 750 set	1			DB164	
	C10	188605-7	Oil vessel set	1			DB164	
	C20	310983-9	Sleeve 5	8			DB164	
	D10		INC. 67				DB164	
070-1		191Y05-2	Shear blade 750E set	1	<	DB164		
	C10	188605-7	Oil vessel set	1		DB164		
	C20	310983-9	Sleeve 5	8		DB164		
	C30	347962-4	Guard	1		Y09178		
	D10		INC. 67			DB164		
071		191D34-9	Chip receiver 750 set	1				
072		915211-3	Binding head screw M5X12	5				
073		620B95-5	Controller	1			DS355	
073-1		620P65-8	Controller	1	<	DS355		

B:DUH754SRGE(H)
C:DUH754SZ(N)
D:DUH754SRT(H)

Interchange
O: Yes
X: No
<: the new part can be substituted for the current.
>: the current part can be substituted for the new.
S: Interchangeable as a set.

