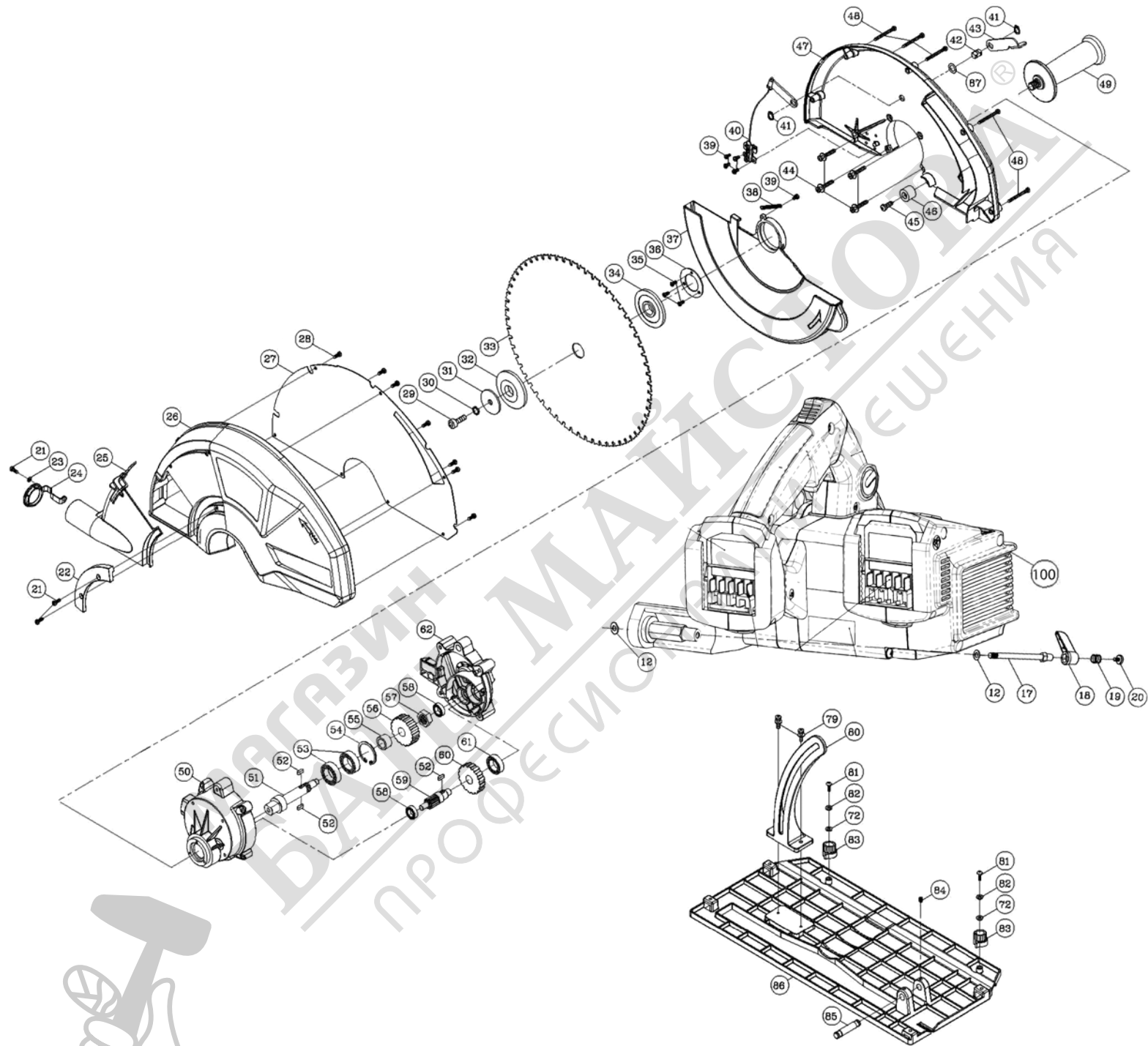


Super Hand Dry Cutter 8320E



ITEM	PART NO	Q'TY	PART NAME		Price in € excl. VAT
12.)	JEP32012	2	FLAT WASHER	Ø8 x Ø20 x 1	90.) JEP32017SET
17.)	JEP32017	1	DEPTH LOCK SHAFT		90.) JEP32017SET
18.)	JEP32018	1	DEPTH LOCK LEVER		90.) JEP32017SET
19.)	JEP32019	1	SPRING	Ø0.7 x Ø10.5 x Ø11.9	90.) JEP32017SET
20.)	JEP32020	1	TORX HEAD SCREW	M5 x 8	90.) JEP32017SET
21.)	JEP32021	3	PAN HEAD SCREW	M4 x 10	88.) JEP32025SET
22.)	JEP32022	1	COVER TRACK	PA66 15g	8.50 €
23.)	JEP32023	1	FLAT WASHER	Ø4 x Ø10 x 1	88.) JEP32025SET
24.)	JEP32024	1	DUST PORT PLUG	EP 5.5g	88.) JEP32025SET
25.)	JEP32025	1	DUST CHAMBER COVER	PA66 70.6g	88.) JEP32025SET
26.)	JEP32026	1	OUTER BLADE COVER	PA66 394g	49.40 €
27.)	JEP32027	1	INNER PLATE	480.3g	28.10 €
28.)	JEP32028	7	PAN HEAD SCREW	M4 x 6	0.60 €
29-34)	JEP32034SET	1	FLANGE SET: 1xSOCKET CAP BOLT, 1x SPRING		73.00 €
35.)	JEP32035	3	FLAT HEAD SCREW	M4 x 6	92.) JEP32036SET
36.)	JEP32036	1	BEARING COVER PLATE		92.) JEP32036SET
37.)	JEP32037	1	LOWER BLADE GUARD	374g	104.50 €
38.)	JEP32038	1	SPRING		95.) JEP32038SET
39.)	JEP32039	5	PAN HEAD SCREW	M4 x 6	91.) JEP32040SET
40.)	JEP32040	1	KICKER MECHANISM		91.) JEP32040SET
41.)	JEP32041	2	EXTERNAL CIRCLIP	S-10	91.) JEP32040SET
42.)	JEP32042	1	PIVOT PIN		91.) JEP32040SET
43.)	JEP32043	1	KICKER LEVER		91.) JEP32040SET
44.)	JEP32044	4	SCREW	M5 x 25	0.60 €
45.)	JEP32045	1	SCREW	M6 x 12	0.60 €
46.)	JEP32046	1	BUMP STOP		1.20 €
47.)	JEP32047	1	UPPER BLADE COVER	590g	180.25 €
48.)	JEP32056	5	PAN HEAD SCREW	M4 x 25	0.60 €
49.)	JEP32042	1	SIDE HANDLE		11.30 €
50.)	JEP32050	1	GEAR CASE	460g	89.90 €
51.)	JEP32051	1	SPINDLE		41.60 €
52.)	DP037	3	PARALLEL KEY	5 x 5 x 10	1.70 €
53.)	JEP32053	2	BALL BEARING	6202-2NSE NACHI	23.10 €
54.)	MA3518	1	INTERNAL CIRCLIP	R-35	0.60 €
55.)	JEP32055	1	SPACER		4.00 €
56.)	JEP32056	1	OUTPUT GEAR	S45C T36	45.50 €
57.)	JEP32057	1	NUT	M14 x P2.0 x 7	0.60 €
58.)	JEP23014	2	BALL BEARING	608 zz NMB	7.30 €
59.)	JEP32059	1	INTERMEDIATE PINION	SCM415 T11	33.20 €
60.)	JEP32060	1	INPUT GEAR	SCM415 T34	46.60 €
61.)	JEP23044	1	BALL BEARING	6200 zz TPI	23.10 €
62.)	JEP32062	1	GEAR PLATE	292g	54.50 €
79.)	JEP32079	2	PAN HEAD SCREW	M5 x 16	0.60 €
80.)	JEP32080	1	PIVOT BRACKET	140g	34.90 €
81.)	JEP32081	2	TRUSS HEAD SCREW	M5 x 8	94.) JEP32083SET
82.)	JEP32082	2	SPRING WASHER	φ5 x φ12 x 0.5	94.) JEP32083SET
83.)	JEP32083	2	GUIDE CLEARANCE ADJUSTOR		94.) JEP32083SET
84.)	JEP32084	1	SOCKET SET SCREW	M5 x 8	0.60 €
85.)	JEP32085	1	PIVOT PIN	Ø10 x 54	2.90 €
86.)	JEP32086	1	BASE	717g	178.00 €
87.)	JEP32087	1	RUBBER WASHER	Ø10 x Ø18 x 1.1	91.) JEP32040SET
100.)	JEP320100E	1	MOTOR ENGINE ASSEMBLY		ON REQUEST

SETS

88.)	JEP32025SET	1	PAN HEAD SCREW (21) / FLAT WASHER (23) / DUST PORT PLUG (24) / DUST CHAMBER COVER (25)	28.20 €
90.)	JEP32017SET	1	2x FLAT WASHER (12) / DEPTH LOCK SHAFT (17) / DEPTH LOCK LEVER (18) / SPRING (19) / TORX HEAD SCREW (20)	27.70 €
91.)	JEP32040SET	1	4x PAN HEAD SCREW (39) / KICKER MECHANISM (40) / EXTERNAL CIRCLIP (41) / PIVOT PIN (42) / KICKER LEVER (43) / RUBBER WASHER (87)	38.90 €
92.)	JEP32036SET	1	3x FLAT HEAD SCREW (35) / BEARING COVER PLATE (36)	5.10 €
94.)	JEP32083SET	1	2x TRUSS HEAD SCREW (81) / 2x SPRING WASHER (82) / 2x FLAT WASHER (72) / 2x GUIDE CLEARANCE ADJUSTOR (83)	4.60 €
95.)	JEP32038SET	1	SPRING (38) / PAN HEAD SCREW (39)	2.30 €