

Einhell[®]

GE-HM 38 S-F[®]

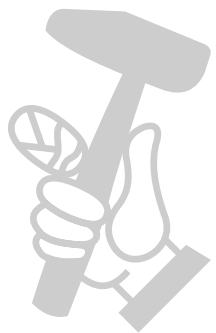
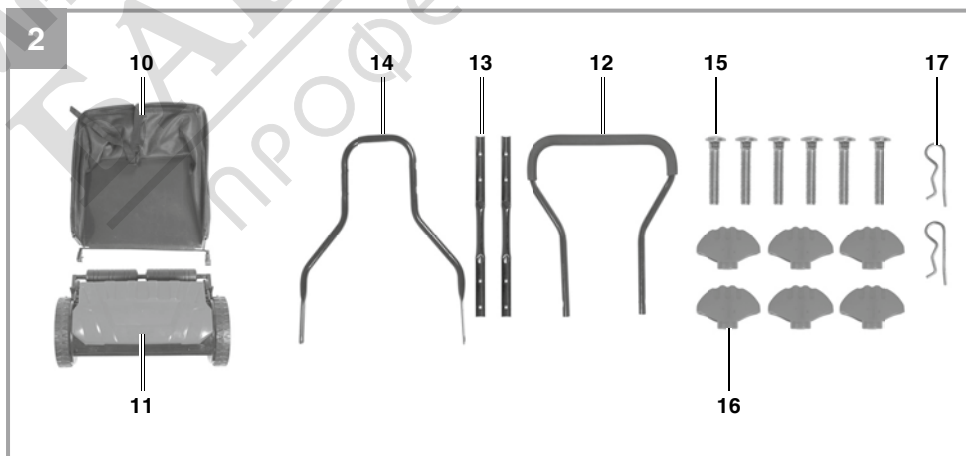
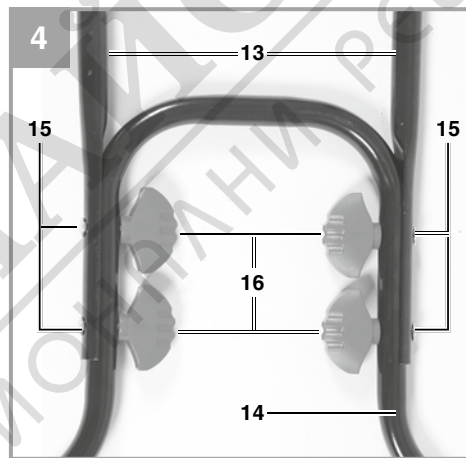
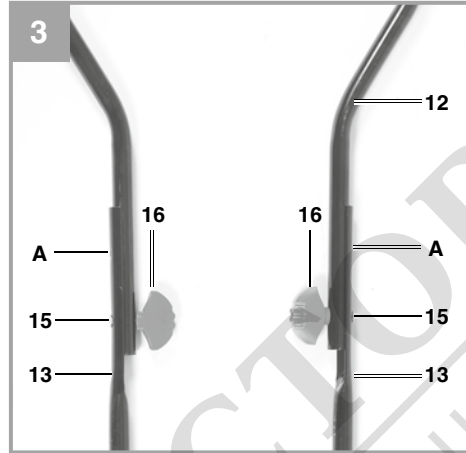
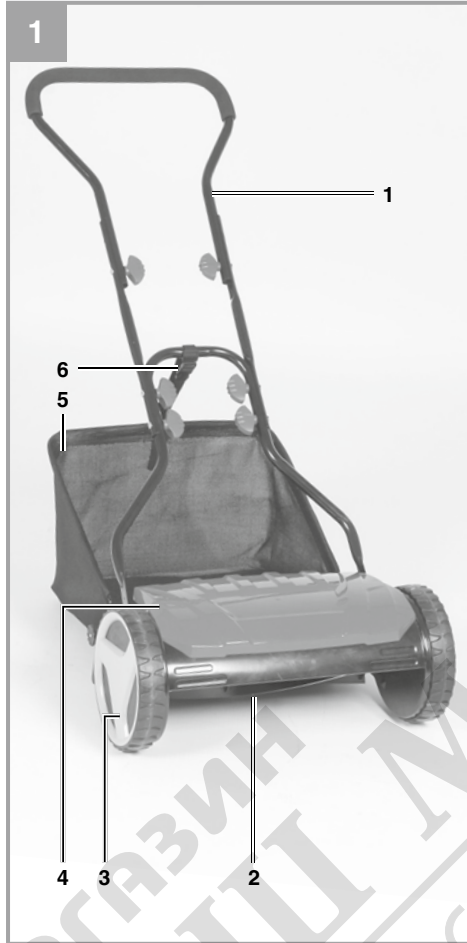
-
- D **Originalbetriebsanleitung**
Hand-Rasenmäher
- GB **Original operating instructions**
Manual lawn mower
- F **Instructions d'origine**
Tondeuse a gazon manuelle
- I **Istruzioni per l'uso originali**
Tosaerba manuale
- DK/ **Original betjeningsvejledning**
N **Håndskubbet græsslåmaskine**
- S **Original-bruksanvisning**
Handgräsklippare
- NL **Originele handleiding**
Handmaaier
- E **Manual de instrucciones original**
Cortacésped manual
- P **Manual de instruções original**
Corta-relvas manual
- FIN **Alkuperäiskäyttöohje**
Käsi­käyttöinen ruohonleikkuri

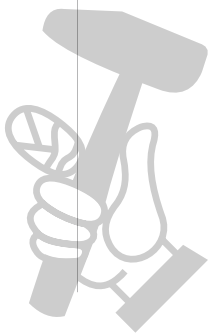
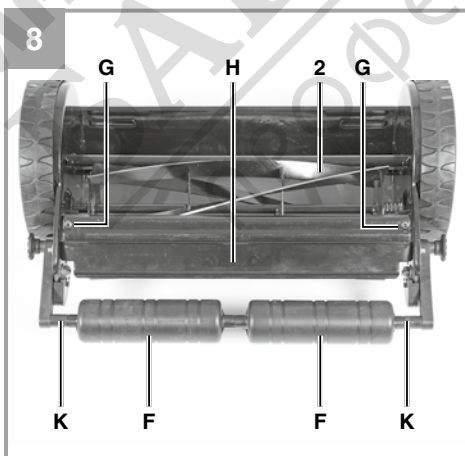
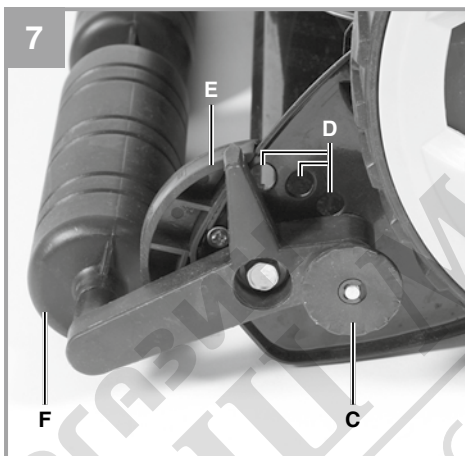
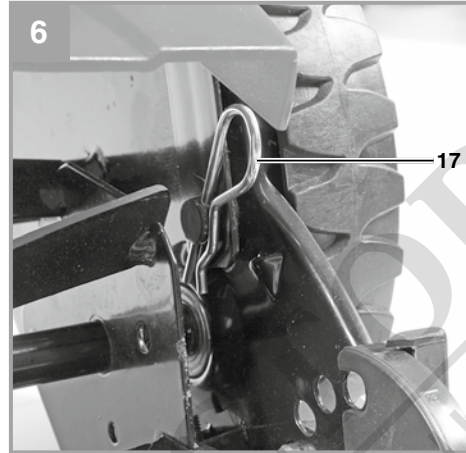
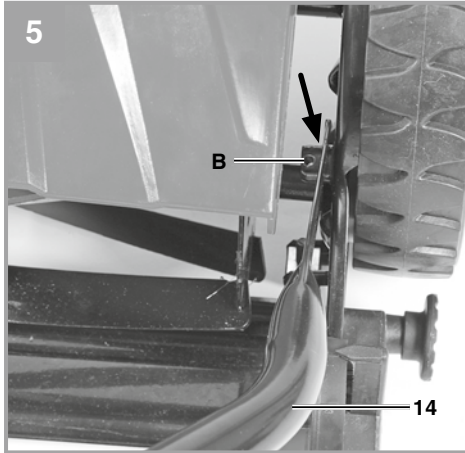
7

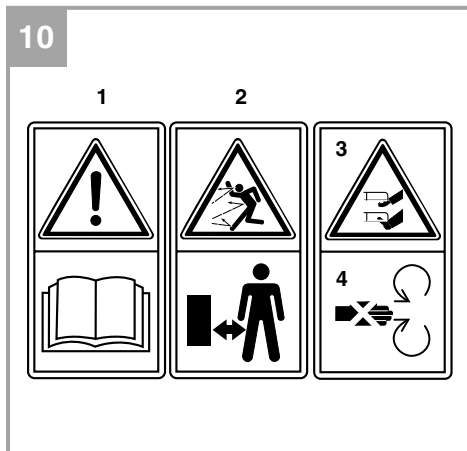


Art.-Nr.: 34.141.61

I.-Nr.: 11015







МАГАЗИН МАЙСТОРА®
БАШ МАЙСТОРА
ПРОФЕСИОНАЛНИ РЕШЕНИЯ

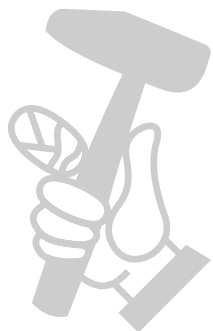
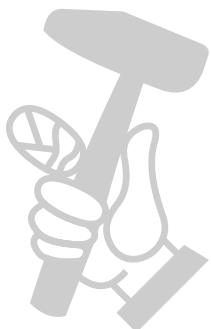


Table of contents

1. Safety regulations
2. Layout and items supplied
3. Proper use
4. Technical data
5. Before starting the equipment
6. Operation
7. Cleaning, maintenance and ordering of spare parts
8. Disposal and recycling
9. Storage and transport
10. Troubleshooting



Danger! - Read the operating instructions to reduce the risk of injury



This equipment is not allowed to be used by children. Children should be supervised so that they do not play with the equipment. Children are not allowed to carry out the cleaning or maintenance. This equipment is not allowed to be used by people with limited physical, sensory or mental capacities or by those with insufficient knowledge or experience unless they are supervised or instructed by a person who is responsible for them.

Danger!

When using the equipment, a few safety precautions must be observed to avoid injuries and damage. Please read the complete operating instructions and safety regulations with due care. Keep this manual in a safe place, so that the information is available at all times. If you give the equipment to any other person, hand over these operating instructions and safety regulations as well. We cannot accept any liability for damage or accidents which arise due to a failure to follow these instructions and the safety instructions.

1. Safety regulations

The corresponding safety information can be found in the enclosed booklet.

Danger!**Read all safety regulations and instructions.**

Any errors made in following the safety regulations and instructions may result in an electric shock, fire and/or serious injury.

Keep all safety regulations and instructions in a safe place for future use.**Explanation of the warning signs on the equipment (see Fig. 10)**

1. „Warning - Read the operating instructions to reduce the risk of injury“
2. Important! Keep other persons and animals away from the danger zone!
3. Caution! - Sharp blades
4. Take care when the blades are rotating. Do not put your hands or feet into openings when the machine is running.

2. Layout and items supplied**2.1 Layout (Fig. 1)**

1. Push bar
2. Mowing spindle
3. Wheel
4. Housing
5. Grass basket
6. Holding belt

2.2 Items supplied (fig. 2)

10. Grass box with holding belt
11. Hand mower (ready-assembled)
12. Push bar top section
13. Push bar extension (2-piece)
14. Push bar bottom

15. Screw M6 x 30 (6x)

16. Wing nut (6x)

17. Split pin (2x)

Original operating instructions

Please check that the article is complete as specified in the scope of delivery. If parts are missing, please contact our service center or the sales outlet where you made your purchase at the latest within 5 working days after purchasing the product and upon presentation of a valid bill of purchase. Also, refer to the warranty table in the service information at the end of the operating instructions.

- Open the packaging and take out the equipment with care.
- Remove the packaging material and any packaging and/or transportation braces (if available).
- Check to see if all items are supplied.
- Inspect the equipment and accessories for transport damage.
- If possible, please keep the packaging until the end of the guarantee period.

Danger!

The equipment and packaging material are not toys. Do not let children play with plastic bags, foils or small parts. There is a danger of swallowing or suffocating!

3. Proper use

The hand mower is designed for cutting grass.

It is intended for private use, i.e. for use in home and gardening environments. Private use here refers to the maintenance of small-scale, residential areas and does not include public facilities, sporting halls, or agricultural/forestry applications.

Important! Due to the high risk of bodily injury to the user, the hand mower may not be used to cut scaling vegetation, planted roofs or balcony-grown grass.

The equipment is to be used only for its prescribed purpose. Any other use is deemed to be a case of misuse. The user / operator and not the manufacturer will be liable for any damage or injuries of any kind caused as a result of this.

Please note that our equipment has not been designed for use in commercial, trade or industrial applications. Our warranty will be voided if the machine is used in commercial, trade or industrial businesses or for equivalent purposes.

4. Technical data

Working width:38 cm
 Cutting height: 13 – 38 mm
 Dimensions (HxWxD) approx.: 125x42x30 cm
 Weight:9 kg

5. Before starting the equipment

Warning! Wear safety gloves whenever you carry out any assembly or maintenance work.

Assembly

Fig. 3: Screw the push bar top section (12) to the two longer ends of the push bar extensions (13). Use two screws M6x35 (15) and two wing nuts M6 (16) for this purpose. Using the holes (A) will lengthen the push bar by approx. 6 cm.

Fig. 4: Screw the push bar bottom section (14) to the two shorter ends of the push bar extensions (13). Use four screws M6x35 (15) and four wing nuts M6 (16) for this purpose.

Fig. 5: First hook one side of the push bar bottom section (14) on the mower, then press the push bar bottom section (14) together slightly and hook the other side in place.

Fig. 5/6: To secure the push bar bottom section to the mower, insert a split pin (17) into the hole (B) on each side.

Hook the grass basket in place on the left and right side of the roller (Fig. 8 / K). The grass box must also be secured to the push bar using the retainer belt (see Fig. 1). Adjust the retainer belt according to your requirements.

6. Operation

6.1 Setting the cutting height (Fig. 7)

Four different cutting heights can be set between a range of 13 – 38 mm. To do so, pull out the spring-loaded bolts (C) on both sides and then engage them in the required holes. The set cutting height is indicated on the scale (E).

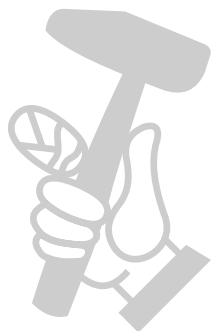
Note: The roller (F) must be aligned parallel with the hand mower (spring-loaded bolts at same height (C)).

6.2 Operation

The hand mower can cut grass up to approx. 10 cm in length. If you want your lawn to have a neat, trimmed look to it, however, you must consistently keep it cut down to a more manageable height.

When starting the mowing session (and when mowing over freshly laid sod), it is advisable to set the cutting height relatively high, then gradually work your way down. For a well-groomed look, the cutting height should be set to approx. 2.5 cm.

For optimum results, mow your lawn on a weekly basis. Grass blades grow thicker, faster, and are more resilient when their stems are consistently kept short (unless you live in very dry conditions and do not frequently water). Always mow the lawn when it is reasonable dry. In order to ensure that your lawn has a clean, even look to it when you're finished, mow in fairly straight paths at walking pace. The cutting swaths should always overlap each other by a few centimeters in order to avoid unsightly strips of grass.



7. Cleaning, maintenance and ordering of spare parts

7.1 Cleaning

- Clean the machine with a brush or rag after each use.
- Store the equipment in a location that is dry and not accessible by children. For storage in less space you can remove the grass basket and move the push bar into a vertically upright position (Fig. 9).
- Keeping your lawn mower in good condition not only ensures a long lifespan and high performance, but also enables the equipment to thoroughly cut your grass with minimal effort.

7.2 Maintenance

- Ensure that all mounting components (i.e. screws, bolts, nuts etc.) are always tightened so that the mower can be safely operated at all times.
- Replace excessively worn or damaged parts immediately.
- In order to ensure that you enjoy the equipment for many years to come, all screwed parts, as well as the wheels and axles, should be cleaned and lubricated.
- The blade on the mower spindle is subject to more wear and tear than any other component of the unit. Check the condition of the blade on the mowing spindle at regular intervals and make sure that it is tightly fastened.
- If the blades on the mower spindle become blunt and need replacing, please contact our customer service. Use only genuine spare parts.

7.2.1 Setting the counter blade (Fig. 8)

Warning! Wear safety gloves.

The counter blade (H) is pre-set at the factory. Re-adjustment might be required after prolonged use.

- If the counter blade is too loose, the cut will look rough and uneven.
- If the counter blade is too tight, the mower will be noisy and hard to push.

The Allen screws (G) on both sides of the mower must be adjusted evenly such that the counter blade (H) and the mower spindle (2) touch without making hardly a sound.

- Turn the Allen screw (G) clockwise = The counter blade will move closer to the mower spindle
- Turn the Allen screw (G) counter-clockwise = The counter blade will move further away from the mower spindle

The counter blade (H) is correctly adjusted if a piece of paper placed between the blades on the mowing spindle (2) and the counter blade will be cut along its full length when you turn one of the wheels forwards by hand without force.

7.3 Ordering replacement parts:

Please quote the following data when ordering replacement parts:

- Type of machine
- Article number of the machine
- Identification number of the machine
- Replacement part number of the part required

For our latest prices and information please go to www.isc-gmbh.info

8. Disposal and recycling

The equipment is supplied in packaging to prevent it from being damaged in transit. The raw materials in this packaging can be reused or recycled. The equipment and its accessories are made of various types of material, such as metal and plastic. Never place defective equipment in your household refuse. The equipment should be taken to a suitable collection center for proper disposal. If you do not know the whereabouts of such a collection point, you should ask in your local council offices.

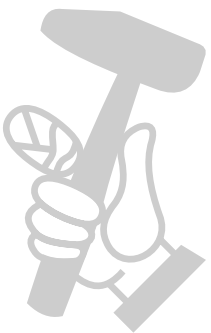
9. Storage and transport

Storage

Store the equipment and accessories out of children's reach in a dark and dry place at above freezing temperature. The ideal storage temperature is between 5 and 30 °C. Store the machine in its original packaging.

Transport

- Always carry the mower by its handle and never reach into the cutting mechanism.
- Fit the shipping protectors, if any.
- Protect the machine from damage and the strong vibrations that can occur particularly when transporting in vehicles.
- Secure the machine against slipping and tipping over.



МАГАЗИН МАЙСТОРА®
БАШ ПРОФЕСИОНАЛНИ РЕШЕНИЯ

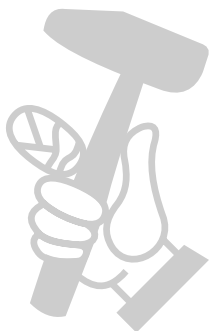
10. Troubleshooting

If the equipment is operated properly you should experience no problems with malfunctions or faults. In the event of any malfunctions or faults, please check the following before you contact your customer services.

Problem	Possible cause	Remedy
Unusual noises	<ul style="list-style-type: none"> - Loose screws/parts? - Foreign bodies in the blade? - Damaged blade? - Wrongly adjusted blade? 	<ul style="list-style-type: none"> - Tighten the screws - Remove the foreign bodies - Have the blade replaced - Set the counter blade (see 7.2.1)
Unsatisfactory cutting results	<ul style="list-style-type: none"> - Wrongly adjusted blade? - Blunt blade? 	<ul style="list-style-type: none"> - Set the counter blade (see 7.2.1) - Have the blade sharpened or replaced

The reprinting or reproduction by any other means, in whole or in part, of documentation and papers accompanying products is permitted only with the express consent of the iSC GmbH.

Subject to technical changes



Service information

We have competent service partners in all countries named on the guarantee certificate whose contact details can also be found on the guarantee certificate. These partners will help you with all service requests such as repairs, spare and wearing part orders or the purchase of consumables.

Please note that the following parts of this product are subject to normal or natural wear and that the following parts are therefore also required for use as consumables.

Category	Example
Wear parts*	Mowing spindle
Consumables*	
Missing parts	

* Not necessarily included in the scope of delivery!

In the effect of defects or faults, please register the problem on the internet at www.isc-gmbh.info. Please ensure that you provide a precise description of the problem and answer the following questions in all cases:

- Did the equipment work at all or was it defective from the beginning?
- Did you notice anything (symptom or defect) prior to the failure?
- What malfunction does the equipment have in your opinion (main symptom)? Describe this malfunction.



Warranty certificate

Dear Customer,

All of our products undergo strict quality checks to ensure that they reach you in perfect condition. In the unlikely event that your device develops a fault, please contact our service department at the address shown on this guarantee card. You can also contact us by telephone using the service number shown. Please note the following terms under which guarantee claims can be made:

1. These warranty terms regulate additional warranty services, which the manufacturer mentioned below promises to buyers of its new products in addition to their statutory rights of guarantee. Your statutory guarantee claims are not affected by this guarantee. Our guarantee is free of charge to you.
2. The warranty services cover only defects due to material or manufacturing faults on a product which you have bought from the manufacturer mentioned below and are limited to either the rectification of said defects on the product or the replacement of the product, whichever we prefer. Please note that our devices are not designed for use in commercial, trade or professional applications. A guarantee contract will not be created if the device has been used by commercial, trade or industrial business or has been exposed to similar stresses during the guarantee period.
3. The following are not covered by our guarantee:
 - Damage to the device caused by a failure to follow the assembly instructions or due to incorrect installation, a failure to follow the operating instructions (for example connecting it to an incorrect mains voltage or current type) or a failure to follow the maintenance and safety instructions or by exposing the device to abnormal environmental conditions or by lack of care and maintenance.
 - Damage to the device caused by abuse or incorrect use (for example overloading the device or the use of unapproved tools or accessories), ingress of foreign bodies into the device (such as sand, stones or dust, transport damage), the use of force or damage caused by external forces (for example by dropping it).
 - Damage to the device or parts of the device caused by normal or natural wear or tear or by normal use of the device.
4. The guarantee is valid for a period of 24 months starting from the purchase date of the device. Guarantee claims should be submitted before the end of the guarantee period within two weeks of the defect being noticed. No guarantee claims will be accepted after the end of the guarantee period. The original guarantee period remains applicable to the device even if repairs are carried out or parts are replaced. In such cases, the work performed or parts fitted will not result in an extension of the guarantee period, and no new guarantee will become active for the work performed or parts fitted. This also applies if an on-site service is used.
5. Please report the defective device on the following internet address to register your guarantee claim: www.isc-gmbh.info. If the defect is covered by our guarantee, then the item in question will either be repaired immediately and returned to you or we will send you a new replacement device.

Of course, we are also happy offer a chargeable repair service for any defects which are not covered by the scope of this guarantee or for units which are no longer covered. To take advantage of this service, please send the device to our service address.

Also refer to the restrictions of this warranty concerning wear parts, consumables and missing parts as set out in the service information in these operating instructions.

