

DEWALT®

XR LI-ION

МАГАЗИН
БАШ МАЙСТЕР

ПРОФЕСИОНАЛНИ РЕШЕНИЯ



www.DEWALT.com

DCMASPS5

English (*original instructions*) 2

Русский (*перевод с оригинала инструкции*) 15

Türkçe (*orijinal talimatlardan çevrilmiştir*) 27

Українська (*переклад з оригіальної інструкції*) 41



МАГАЗИН
БАШ МАЙСТОРА
ПРОФЕСІОНАЛНИ РЕШЕННЯ



Fig. A

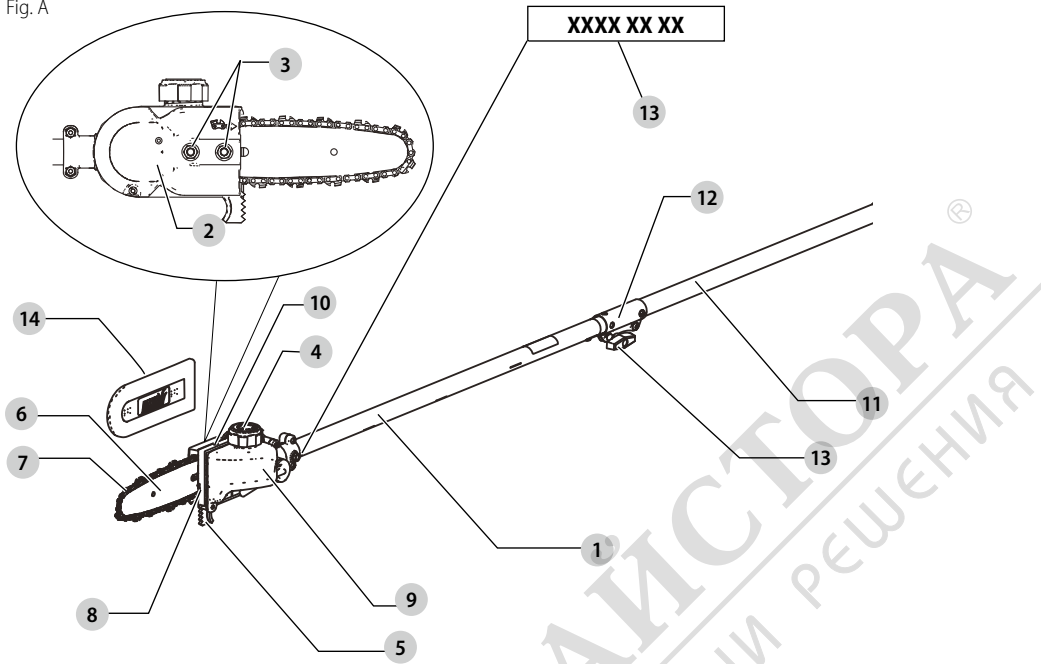


Fig. B

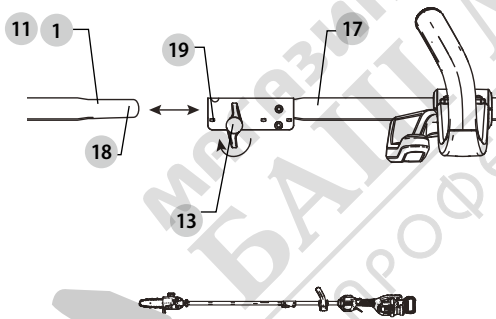


Fig. C

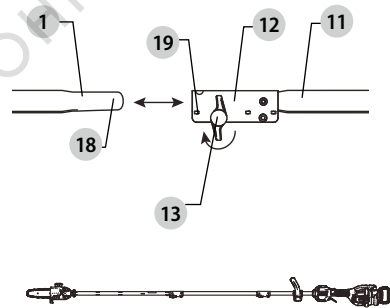


Fig. D

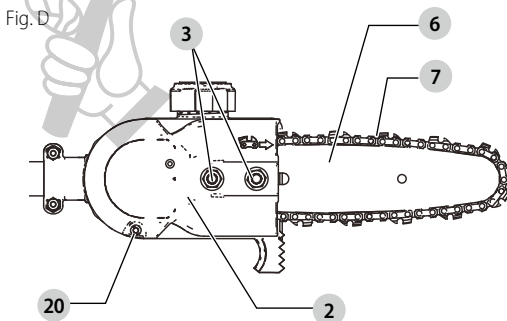


Fig. E

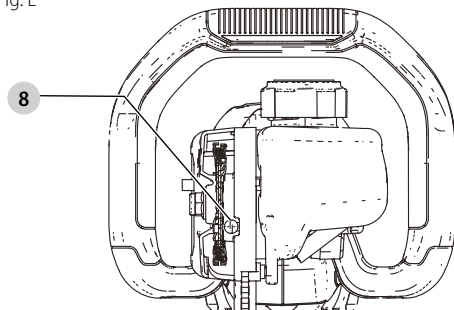


Fig. F

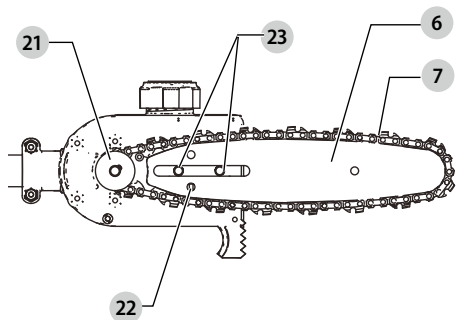


Fig. G

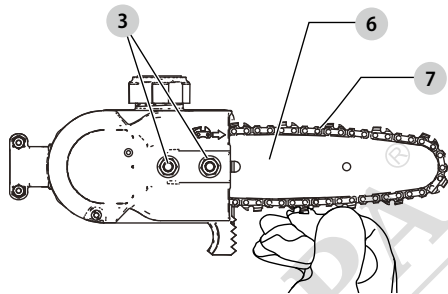


Fig. H

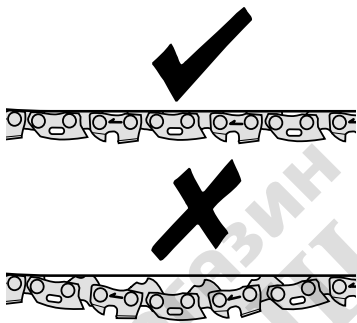


Fig. I

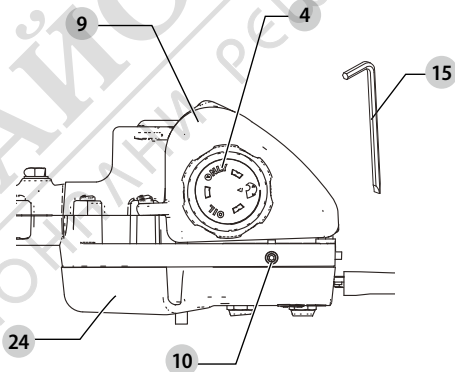


Fig. J

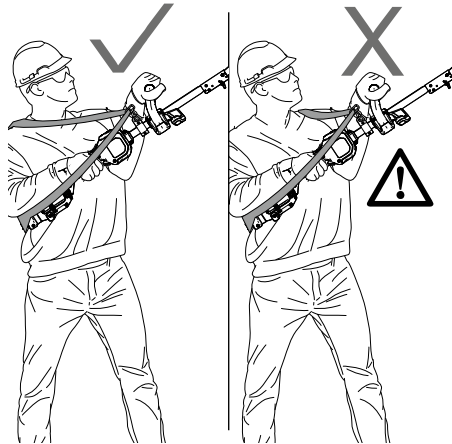
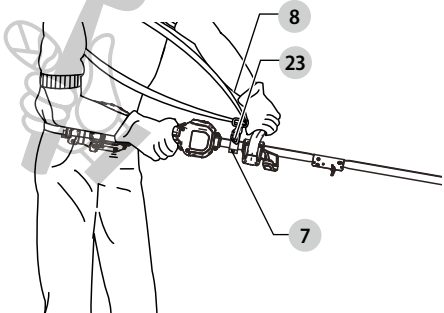


Fig. K

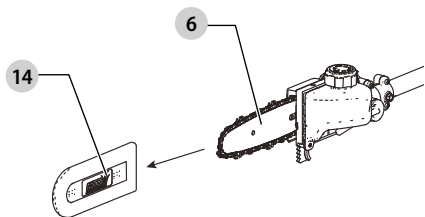


Fig. L

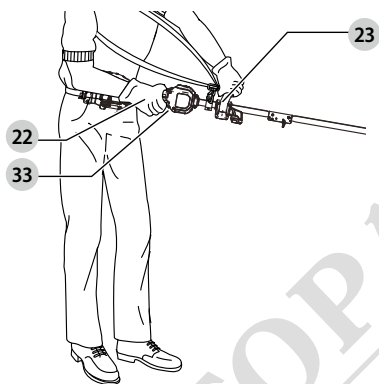


Fig. M

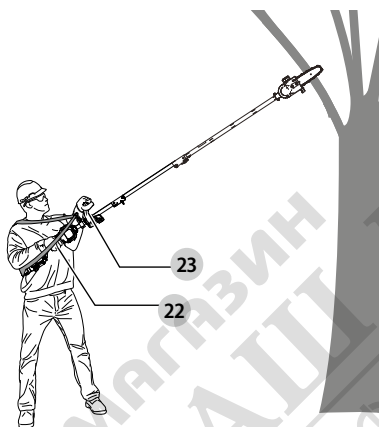
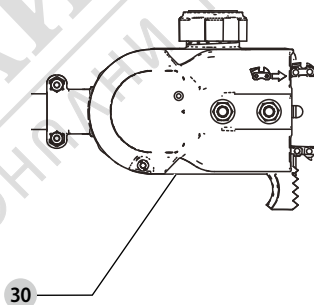


Fig. N



POLE SAW

DCMASPS5

Congratulations!

You have chosen a DEWALT tool. Years of experience, thorough product development and innovation make DEWALT one of the most reliable partners for professional power tool users.

Technical Data

	DCMASPS5	
Voltage	V _{DC}	54
Battery type		Li-Ion
Bar Length	mm	203
Maximum Chain Speed (no-load)	m/s	6.5
Maximum Cutting Length	cm	15
Oil Capacity	ml	200
Weight	kg	2.7

Noise values and vibration values (tri-ax vector sum) according to EN62841-1

L _{PA} (emission sound pressure level)	dB(A)	84
K (uncertainty for the given sound pressure)	dB(A)	2.5
L _{WA} (sound power level)	dB(A)	99
K (uncertainty for the given sound level)	dB(A)	3
Vibration emission value a _h =	m/s ²	<2.5
Uncertainty K =	m/s ²	1.5

The vibration and/or noise emission level given in this information sheet has been measured in accordance with a standardised test given in EN62841 and may be used to compare one tool with another. It may be used for a preliminary assessment of exposure.

! **WARNING:** The declared vibration and/or noise emission level represents the main applications of the tool. However if the tool is used for different applications, with different accessories or poorly maintained, the vibration and/or noise emission may differ. This may significantly increase the exposure level over the total working period.

An estimation of the level of exposure to vibration and/or noise should also take into account the times when the tool is switched off or when it is running but not actually doing the job. This may significantly reduce the exposure level over the total working period.

Identify additional safety measures to protect the operator from the effects of vibration and/or noise such as: maintain the tool and the accessories, keep the hands warm (relevant for vibration), organisation of work patterns.

EC-Declaration of Conformity

Machinery Directive



Pole Saw

DCMASPS5

DEWALT declares that these products described under **Technical Data** are in compliance with:

2006/42/EC, EN62841-1:2015; EN ISO 11680-1:2011, 2000/14/EC, Annex V DEKRA Certification B.V., Meander 1051 / P.O. Box 5185 6825 MJ ARNHEM / 6802 ED ARNHEM Netherlands

Notified Body ID No.: 0344

LPA (measured sound pressure level) 84 dB(A)

LWA (guaranteed sound power) 102 dB(A)

These products also comply with Directive 2014/30/EU and 2011/65/EU. For more information, please contact DEWALT at the following address or refer to the back of the manual.

The undersigned is responsible for compilation of the technical file and makes this declaration on behalf of DEWALT

Markus Rompel
Vice-President Engineering, PTE-Europe
DEWALT, Richard-Klinger-Straße 11,
65510, Idstein, Germany
31.12.2020



WARNING: To reduce the risk of injury, read the instruction manual.

Definitions: Safety Guidelines

The definitions below describe the level of severity for each signal word. Please read the manual and pay attention to these symbols.



DANGER: Indicates an imminently hazardous situation which, if not avoided, **will** result in **death or serious injury**.



WARNING: Indicates a potentially hazardous situation which, if not avoided, **could** result in **death or serious injury**.



CAUTION: Indicates a potentially hazardous situation which, if not avoided, **may** result in **minor or moderate injury**.

NOTICE: Indicates a practice **not related to personal injury** which, if not avoided, **may** result in **property damage**.



Denotes risk of electric shock.



Denotes risk of fire.

GENERAL POWER TOOL SAFETY WARNINGS



WARNING: Read all safety warnings, instructions, illustrations and specifications provided with this power tool. Failure to follow all instructions listed below may result in electric shock, fire and/or serious injury.

SAVE ALL WARNINGS AND INSTRUCTIONS FOR FUTURE REFERENCE

The term "power tool" in the warnings refers to your mains-operated (corded) power tool or battery-operated (cordless) power tool.

1) Work Area Safety

- a) **Keep work area clean and well lit.** Cluttered or dark areas invite accidents.
- b) **Do not operate power tools in explosive atmospheres, such as in the presence of flammable liquids, gases or dust.** Power tools create sparks which may ignite the dust or fumes.
- c) **Keep children and bystanders away while operating a power tool.** Distractions can cause you to lose control.

2) Electrical Safety

- a) **Power tool plugs must match the outlet. Never modify the plug in any way. Do not use any adapter plugs with earthed (grounded) power tools.**
Unmodified plugs and matching outlets will reduce risk of electric shock.
- b) **Avoid body contact with earthed or grounded surfaces, such as pipes, radiators, ranges and refrigerators.** There is an increased risk of electric shock if your body is earthed or grounded.
- c) **Do not expose power tools to rain or wet conditions.**
Water entering a power tool will increase the risk of electric shock.
- d) **Do not abuse the cord. Never use the cord for carrying, pulling or unplugging the power tool. Keep cord away from heat, oil, sharp edges or moving parts.** Damaged or entangled cords increase the risk of electric shock.
- e) **When operating a power tool outdoors, use an extension cord suitable for outdoor use.** Use of a cord suitable for outdoor use reduces the risk of electric shock.
- f) **If operating a power tool in a damp location is unavoidable, use a residual current device (RCD) protected supply.** Use of an RCD reduces the risk of electric shock.

3) Personal Safety

- a) **Stay alert, watch what you are doing and use common sense when operating a power tool. Do not use a power tool while you are tired or under the influence of drugs, alcohol or medication.** A moment of inattention while operating power tools may result in serious personal injury.
- b) **Use personal protective equipment. Always wear eye protection.** Protective equipment such as a dust mask,

non-skid safety shoes, hard hat or hearing protection used for appropriate conditions will reduce personal injuries.

- c) **Prevent unintentional starting. Ensure the switch is in the off-position before connecting to power source and/or battery pack, picking up or carrying the tool.** Carrying power tools with your finger on the switch or energising power tools that have the switch on invites accidents.
- d) **Remove any adjusting key or wrench before turning the power tool on.** A wrench or a key left attached to a rotating part of the power tool may result in personal injury.
- e) **Do not overreach. Keep proper footing and balance at all times.** This enables better control of the power tool in unexpected situations.
- f) **Dress properly. Do not wear loose clothing or jewellery. Keep your hair and clothing away from moving parts.** Loose clothes, jewellery or long hair can be caught in moving parts.
- g) **If devices are provided for the connection of dust extraction and collection facilities, ensure these are connected and properly used.** Use of dust collection can reduce dust-related hazards.
- h) **Do not let familiarity gained from frequent use of tools allow you to become complacent and ignore tool safety principles.** A careless action can cause severe injury within a fraction of a second.

4) Power Tool Use and Care

- a) **Do not force the power tool. Use the correct power tool for your application.** The correct power tool will do the job better and safer at the rate for which it was designed.
- b) **Do not use the power tool if the switch does not turn it on and off.** Any power tool that cannot be controlled with the switch is dangerous and must be repaired.
- c) **Disconnect the plug from the power source and/or remove the battery pack, if detachable, from the power tool before making any adjustments, changing accessories, or storing power tools.** Such preventive safety measures reduce the risk of starting the power tool accidentally.
- d) **Store idle power tools out of the reach of children and do not allow persons unfamiliar with the power tool or these instructions to operate the power tool.** Power tools are dangerous in the hands of untrained users.
- e) **Maintain power tools and accessories. Check for misalignment or binding of moving parts, breakage of parts and any other condition that may affect the power tool's operation. If damaged, have the power tool repaired before use.** Many accidents are caused by poorly maintained power tools.
- f) **Keep cutting tools sharp and clean.** Properly maintained cutting tools with sharp cutting edges are less likely to bind and are easier to control.
- g) **Use the power tool, accessories and tool bits etc. in accordance with these instructions, taking into account the working conditions and the work to be**

performed. Use of the power tool for operations different from those intended could result in a hazardous situation.

- h) **Keep handles and grasping surfaces dry, clean and free from oil and grease.** Slippery handles and grasping surfaces do not allow for safe handling and control of the tool in unexpected situations.

5) Battery Tool Use and Care

- a) **Recharge only with the charger specified by the manufacturer.** A charger that is suitable for one type of battery pack may create a risk of fire when used with another battery pack.
- b) **Use power tools only with specifically designated battery packs.** Use of any other battery packs may create a risk of injury and fire.
- c) **When battery pack is not in use, keep it away from other metal objects, like paper clips, coins, keys, nails, screws or other small metal objects, that can make a connection from one terminal to another.** Shorting the battery terminals together may cause burns or a fire.
- d) **Under abusive conditions, liquid may be ejected from the battery; avoid contact. If contact accidentally occurs, flush with water. If liquid contacts eyes, additionally seek medical help.** Liquid ejected from the battery may cause irritation or burns.
- e) **Do not use a battery pack or tool that is damaged or modified.** Damaged or modified batteries may exhibit unpredictable behaviour resulting in fire, explosion or risk of injury.
- f) **Do not expose a battery pack or tool to fire or excessive temperature.** Exposure to fire or temperature above 130 °C may cause explosion.
- g) **Follow all charging instructions and do not charge the battery pack or tool outside the temperature range specified in the instructions.** Charging improperly or at temperatures outside the specified range may damage the battery and increase the risk of fire.

6) Service

- a) **Have your power tool serviced by a qualified repair person using only identical replacement parts.** This will ensure that the safety of the power tool is maintained.
- b) **Never service damaged battery packs.** Service of battery packs should only be performed by the manufacturer or authorized service providers.

IMPORTANT SAFETY INSTRUCTIONS



WARNING: To reduce risk of injury:

- Before any use, be sure everyone using this unit reads and understands all safety instructions and other information contained in this manual.
- Save these instructions and review frequently.



WARNING: When using electric gardening appliances, basic safety precautions should always be followed to reduce risk of fire, electric shock, and personal injury, including the following.

1. **Avoid Dangerous Environment** – Don't use appliances in damp or wet locations.
2. **Don't Use In Rain.**
3. **Keep Children Away** – All visitors should be kept at a distance from work area.
4. **Dress Properly** – Do not wear loose clothing or jewelry. They can be caught in moving parts. Use of rubber gloves and substantial footwear is recommended when working outdoors. Wear protective hair covering to contain long hair.
5. **Use Safety Glasses** – Always use face or dust mask if operation is dusty.
6. **Use Right Appliance** – Do not use appliance for any job except that for which it is intended.
7. **Don't grasp the exposed cutting blades or cutting edges when picking up or holding the appliance.**
8. **Don't Force Appliance** – It will do the job better and with less likelihood of a risk of injury at the rate for which it was designed.
9. **Don't Overreach** – Keep proper footing and balance at all times.
10. **Stay Alert** – Watch what you are doing. Use common sense. Do not operate appliance when you are tired.
11. **Disconnect Appliance** – Remove the battery when not in use, before servicing, when changing accessories such as blades, and the like.
12. **Store Idle Appliances Indoors** – When not in use, appliances should be stored indoors in dry, and high or locked-up place – out of reach of children.
13. **Maintain Appliance With Care** – Keep cutting edge sharp and clean for best performance and to reduce the risk of injury. Follow instructions for lubricating and changing accessories. Inspect appliance power source periodically, and if damaged, have it repaired by an authorized service facility. Keep handles dry, clean, and free from oil and grease.
14. **Check Damaged Parts** – Before further use of the appliance, a guard or other part that is damaged should be carefully checked to determine that it will operate properly and perform its intended function. Check for alignment of moving parts, binding of moving parts, breakage of parts, mounting, and any other condition that may affect its operation. A guard or other part that is damaged should be properly repaired or replaced by an authorized service center unless indicated elsewhere in this manual.

SAVE THESE INSTRUCTIONS




WARNING - Do not operate near electrical power lines. The unit has not been designed to provide

protection from electric shock in the event of contact with overhead electric lines. Consult local regulations for safe distances from overhead electric power lines and ensure that the operating position is safe and secure before operating the saw chain pole pruner.

- **Keep all parts of the body away from the saw chain. Do not remove cut material or hold material to be cut when blades are moving. Make sure the switch is off when clearing jammed material. Blades coast after turn off.**

- A moment of inattention while operating the pole saw may result in serious personal injury.
- **Carry the pole saw by the handle with the saw chain stopped.** When transporting or storing the pole saw always fit the saw chain device cover. Proper handling of the pole saw will reduce possible personal injury from the saw chain.
 - **Hold the power tool by insulated gripping surfaces only, because the cutter blade may contact hidden wiring.** A saw chain contacting a "live" wire may make exposed metal parts of the tool "live" and could give the operator an electric shock.
 - **Do not use the pole saw in bad weather conditions, especially when there is a risk of lightning.** This decreases the risk of being struck by lightning.
 - **Always use two hands when operating the pole saw.** Hold the pole saw with both hands to avoid loss of control.
 - **Always use head protection when operating the pole saw overhead.** Falling debris can result in serious personal injury.


SPECIFIC SAFETY RULES


 **WARNING:** Some dust contains chemicals known to State of California to cause cancer, birth defects or other reproductive harm. Some examples of these chemicals are:

- compounds in fertilizers,
- compounds in insecticides, herbicides and pesticides,
- arsenic and chromium from chemically treated lumber.

To reduce your exposure to these chemicals, wear approved safety equipment such as dust masks that are specially designed to filter out microscopic particles.

- **Avoid prolonged contact with dust from power sanding, sawing, grinding, drilling, and other construction activities. Wear protective clothing and wash exposed areas with soap and water.** Allowing dust to get into your mouth, eyes, or lay on the skin may promote absorption of harmful chemicals.

 **WARNING:** Use of this tool can generate and/or disburse dust, which may cause serious and permanent respiratory or other injury. Always use approved respiratory protection appropriate for the dust exposure. Direct particles away from face and body.


 **CAUTION:** Wear appropriate personal hearing protection during use. Under some conditions and duration of use, noise from this product may contribute to hearing loss.


Before Operating Pole Saw

- **For safe operation, read and understand all instructions before using the pole saw.** Follow all safety instructions. Failure to follow all safety instructions listed below, can result in serious personal injury.
- **Watch what you are doing.** Use common sense. Do not operate pole saw when you are tired.
- **Use pole saw for cutting tree branches only.** Do not use pole saw for purposes not intended. Do not use for cutting other items.

- **Only well-instructed adults should operate pole saw.** Never allow children to operate.
- **Do not allow children or untrained individuals to use this unit.**
- Wear the following safety gear when operating pole saw:
 - heavy-duty gloves
 - steel-toed safety footwear with non-skid soles
 - safety glasses, goggles or face screen
 - safety hard hat
 - ear muffers or ear plugs
 - face or dust mask (if working in dusty areas)
- **Wear heavy long pants and boots.** Do not wear loose fitting clothing, short pants, jewelry of any kind, or go barefoot.
- **Secure long hair to prevent entanglement in any moving parts.**
- Before cutting, always provide the following:
 - clear work area
 - secure footing
 - planned retreat path from falling limbs
- **Inspect tree before trimming.** Make allowance for branches to fall freely to the ground.
- Do not use your pole saw to fell saplings.

While Operating Pole Saw

 **DANGER:** To reduce the risk of electric shock do no use on wet surfaces. Do not expose to rain. Store indoors.

 **DANGER:** Avoid Unintentional Starting – with battery installed, don't carry appliance with with finger on switch. Be sure switch is off when installing battery.



- The extension pole should exclusively be used with the pole saw attachment. Only one extension pole should be used with the pole saw attachment. Do not use more than one extension pole. Do not use the extension pole with any other attachments.
- Stay alert. Use common sense while operating the unit.
- Keep work area clean. Cluttered areas invite injuries.
- Always remove battery from pole saw when finished cutting or when left unattended.
- Keep children, animals and bystanders at least 15 m away from pole saw. Only pole saw user should be in work area.
- Do not use the pole saw to cut down trees.
- Do not grasp the exposed saw chain when picking up or holding the pole saw.
- Keep finger off trigger until ready to make cut.
- Before starting pole saw, make sure chain is not touching anything.
- Keep all parts of body away from chain when pole saw is running.
- Do not force pole saw while cutting. Apply light pressure. It will do the job better and safer at the rate for which it was intended.
- Carry pole saw from one place to another:
 - with battery removed,

- fingers off/away from trigger,
- by holding pole at balance point, and
- with guide bar and chain to rear and with scabbard attached.
- Do not cut small brush and saplings with the pole saw. Slender matter may catch in the chain and be whipped toward you. This could also pull you off balance.
- Do not operate in poor lighting.
- Keep firm footing and balance. Do not overreach. Overreaching can result in loss of balance or exposure to hot surfaces.
- Keep all parts of your body away from any moving part.
- Do not, under any circumstance, use any attachment or accessory on this product, which was not provided with the product, or identified as appropriate for use with this product in this instruction manual.
- Inspect pole saw before each use and after dropping or other impacts. Ensure there are no significant defects or damage.

Do Not Operate Pole Saw:

- while under the influence of alcohol, medication, or drugs.
- in rain or in damp or wet areas.
- where highly flammable liquids or gases are present.
- if pole saw is damaged, adjusted incorrectly, or not fully and securely assembled.
- if trigger does not turn pole saw on and off. Chain must stop moving when you release trigger. Have faulty switch replaced by authorized service center. See **Accessories** under **Maintenance**.
- while in a hurry.
- while in a tree or on a ladder.
- while on aerial booms, buckets or platforms.
- during high wind or storming weather.


GENERAL SAFETY RULES

-  **DANGER: Shock Hazard.** Serious injury or death from electrocution if power lines are contacted. Never use near any electrical source, wires, or power lines.
-  **WARNING: For safe operation read and understand owner's manual.** Wear face shield (and/or safety glasses) and hard hat to protect against falling debris. Always have a clear work area, retreat path, and be aware of limb/branch location to avoid falling limbs and debris. Keep bystanders 15 m away when operating saw. To reduce the risk of electric shock do not use on wet surfaces. Do not expose to rain. Store indoors.
- To protect yourself from falling branches do not stand directly under the branch or limb being cut. This unit should not be held at an angle over 60° from ground level.
- Keep the handles dry, clean, and free of oil.
- Before you start the unit, make sure the chain is not contacting any object.
- Make sure the cutting chain has stopped before setting the unit down.

Service

- Tool service must be performed only by qualified repair personnel. Service or maintenance performed by unqualified personnel could result in a risk of injury. Refer to the **Maintenance** section of this manual.
- When servicing a tool, use only identical replacement parts. Follow instructions in the **Maintenance** section of this manual. Use of unauthorized parts or failure to follow maintenance instructions may create a risk of electric shock or injury.

Guard Against Kickback

 **WARNING:** KICKBACK may occur when the nose or tip of the guide bar touches an object, or when the wood closes in and pinches the saw chain in the cut. Tip contact in some cases may cause a lightning fast reverse reaction, kicking the guide bar up and back towards the operator. Pinching the saw chain along the top of the guide bar may push the guide bar rapidly back towards the operator. Either of these reactions may cause you to lose control of the saw which could result in serious injury to user.

THE FOLLOWING PRECAUTIONS SHOULD BE FOLLOWED TO MINIMIZE KICKBACK:

- Hold the saw firmly with both hands when the unit is running. Use a firm grip with thumbs and fingers encircling the saw powerhead handle and auxiliary handle. DO NOT use the pole as a grasping surface.
- Do not overreach.
- Keep proper footing and balance at all times.
- Don't let the nose of the guide bar contact a log, branch, ground or other obstruction.
- Do not extend pole saw handle above shoulder height.
- Use devices such as reduced kickback chain, chain braking system and special guide bars that reduce the risks associated with kickback.
- Only use replacement bars and chains specified by the manufacturer or the equivalent.
- Never let the moving chain contact any object at the tip of the guide bar.
- Keep the working area free from obstructions such as other trees, branches, rocks, fences, stumps, etc. Eliminate or avoid any obstruction that your saw chain could hit while you are cutting through a particular log or branch.
- Keep your saw chain sharp and properly tensioned. A loose or dull chain can increase the chance of kickback. Check tension at regular intervals with the motor stopped and battery removed.
- Begin and continue cutting only with the chain moving at full speed. If the chain is moving at a slower speed, there is a greater chance for kickback to occur.
- Cut one branch at a time.
- Use extreme caution when re-entering a previous cut. Engage spiked bumpers into wood and allow chain to reach full speed before proceeding with cut.
- Do not attempt plunge cuts or bore cuts.
- Watch for shifting branches or other forces that could close a cut and pinch or fall into chain.

Kickback Safety Features

⚠️ WARNING: The following features are included on your pole saw to help reduce the hazard of kickback; however such features will not totally eliminate this dangerous reaction. As a pole saw user do not rely only on safety devices. You must follow all safety precautions, instructions, and maintenance in this manual to help avoid kickback and other forces which can result in serious injury.

- **Reduced-Kickback Guide Bar**, designed with a small radius tip which reduces the size of the kickback danger zone on bar tip. A reduced-kickback guide bar is one which has been demonstrated to significantly reduce the number and seriousness of kickbacks when tested in accordance with safety requirements for electric chain saws.
- **Reduced Kickback Chain**, designed with a contoured depth gauge and guard link which deflect kickback force and allow wood to gradually ride into the cutter. A reduced-kickback chain is a chain which has met kickback performance requirements when tested on the representative sample of chain saws.

Pole Saw Names and Terms

- **Drive Sprocket or Sprocket** - The toothed part that drives the saw chain.
- **Guide Bar** - A solid railed structure that supports and guides the saw chain.
- **Guide Bar Scabbard** - Enclosure fitted over guide bar to prevent tooth contact when saw is not in use.
- **Kickback** - The backward or upward motion, or both of the guide bar occurring when the saw chain near the nose of the top area of the guide bar contacts any object such as a log or branch, or when the wood closes in and pinches the saw chain in the cut.
- **Reduced Kickback Chain** - A chain that complies with the kickback performance requirements. (when tested on a representative sample of chain saws).
- **Reduced Kickback Guide Bar** - A guide bar which has been demonstrated to reduce kickback significantly.
- **Replacement Saw Chain** - A chain that complies with kickback performance requirements when tested with specific chain saws. It may not meet performance requirements when used with other saws.
- **Saw Chain** - A loop of chain having cutting teeth, that cut the wood, and that is driven by the motor and is supported by the guide bar.
- **Spiked Bumper (Spike)** - The pointed tooth or teeth for use when pruning to pivot the saw and maintain position while sawing.
- **Switch** - A device that when operated will complete or interrupt an electrical power circuit to the motor of the chain saw.
- **Switch Lockout** - A movable stop that prevents the unintentional operation of the switch until manually actuated.
- **Trimming (Pruning)** - Process of cutting limbs from a tree.
- **Undercut** - An upward cut from underside of a log or limb. This is done while in normal cutting position and cutting with top of guide bar.

Storage

1. **Store indoors.** The best storage place is one that is cool and dry away from direct sunlight, excess heat or cold and out of the reach of children.
2. **Always reduce the tension off the chain again after finishing work. The chain contracts as it cools down.** If tension is not reduced, it can damage the saw.

Residual Risks

In spite of the application of the relevant safety regulations and the implementation of safety devices, certain residual risks cannot be avoided. These are:

- Impairment of hearing.
- Risk of personal injury due to flying particles.
- Risk of burns due to accessories becoming hot during operation.
- Risk of personal injury due to prolonged use.

SAVE THESE INSTRUCTIONS

Package Contents

The package contains:

- 1 Pole saw
- 1 Extension pole
- 1 Scabbard
- 1 Hex wrench
- 1 Instruction manual
- Check for damage to the tool, parts or accessories which may have occurred during transport.
- Take the time to thoroughly read and understand this manual prior to operation.

Markings on Tool

The following pictograms are shown on the tool:



Read instruction manual before use.



Wear eye protection.



Wear ear protection.



Do not leave in rain.



Wear head protection.



Wear protective gloves.



Cut hazard. Keep fingers away from slot.



No hands



Hot surface. Do not touch.



Wear protective footwear.



Rotational direction of the saw chain.



Contact of the guide bar tip with any object should be avoided.



Electrocution hazard. Keep at least 10 m away from overhead lines.



Switch the tool off. Before performing any maintenance on the tool, remove the battery from the tool.



Always use two hands when operating the chainsaw.



Directive 2000/14/EC guaranteed sound power.



Beware of falling objects.



Keep bystanders away.

Date Code Position (Fig. B)

The date code **13**, which also includes the year of manufacture, is printed into the housing.

Example:

2021 XX XX

Year and week of Manufacture

Description (Fig. A)

WARNING: Never modify the tool. Damage or personal injury could result.

- 1 Pole saw attachment
- 2 Sprocket cover
- 3 Bar lock nut (x2)
- 4 Oil cap
- 5 Branch removal hook
- 6 Guide bar
- 7 Saw chain
- 8 Chain tensioning screw
- 9 Oil reservoir
- 10 Oil adjustment screw
- 11 Extension pole
- 12 Extension pole coupler
- 13 Knob

Intended Use

Your pole saw attachment has been designed to be used with your powerhead. This pole saw is ideal for pruning applications and cutting limbs up to 150 mm in diameter.

DO NOT use under wet conditions or in the presence of flammable liquids or gases.

DO NOT let children come into contact with the tool. Supervision is required when inexperienced operators use this tool.

- **Young children and the infirm.** This appliance is not intended for use by young children or infirm persons without supervision.
- This product is not intended for use by persons (including children) suffering from diminished physical, sensory or mental abilities; lack of experience, knowledge or skills unless they are supervised by a person responsible for their safety. Children should never be left alone with this product.

ASSEMBLY AND ADJUSTMENTS



WARNING: To reduce the risk of serious personal injury, turn tool off and disconnect battery pack before making any adjustments or removing/installing attachments or accessories. An accidental start-up can cause injury.



WARNING: Use only DEWALT battery packs and chargers.

Powerhead (Fig. B)

(sold separately)



WARNING: To reduce risk of injury:

- Before any use, be sure everyone using this product reads and understands all safety instructions and other information contained in the powerhead and attachment manuals.
- Never apply power without an attachment being properly mounted to the powerhead.



WARNING: To reduce the risk of serious personal injury, turn unit off and remove the battery pack before making any adjustments or removing/installing attachments or accessories. An accidental start-up can cause injury.

Your attachment is designed such that the powerhead can separate from the pole saw attachment by turning the knob **6** counterclockwise, depressing the latching button **18** and gently pulling them apart by their poles **1**, **17**.

This should only be done with the power switch off and the battery pack removed. Inside the upper powerhead pole **17** is a mechanical coupling that will spin if the powerhead is turned on. This coupling can cause injury if contacted while the powerhead is operating.

NOTE: Ensure the attachment is fully engaged and the knob is fully tightened before operating. Check for proper engagement and tightness during use.

Assembling Pole Saw Attachment to the Powerhead (Fig. B)



WARNING: Sharp moving blade. To prevent accidental operation, insure that battery is disconnected from the handle and that the protective scabbard is in place on the chain before performing the following operations. Failure to do this could result in serious personal injury.

Combining the powerhead **17** to the pole saw attachment **1** creates a pole saw that is approximately 1.8 m in length.

To Attach the Powerhead to the Pole Saw Attachment:

1. When installing the pole saw attachment **1** into the upper powerhead pole **17**, align the latching button **18** with the main hole **19** as shown in Fig. B.
2. Turn the knob **13** clockwise to lock attachment to upper powerhead pole. When properly assembled, it should look like Fig. B. If it does not, do not use, disassemble and re-align the pole saw attachment **1** so the latching button **18** engages the hole **19**.

! WARNING: Always check to make sure that the knobs are completely secured in place. If the knobs are not completely secured it could result in the assemblies becoming disconnected creating a hazardous condition. Periodically check the connections to ensure that the knobs are completely secured in place.

Assembling the Extension Pole to the Pole Saw Attachment and the Powerhead (Fig. B, C)

To Attach the Powerhead to the Pole Saw Attachment:

Adding the extension pole **11** to the powerhead **17** and pole saw attachment **1** creates a pole saw that is approximately 2.7 m in length.

To Attach the Powerhead to the Extension Pole and Pole Saw Attachment:

1. When installing the extension pole **11** into the upper powerhead pole **17**, align the latching button **18** with the main hole **19** as shown in Fig. B.
2. Turn the knob **13** clockwise to lock attachment to upper powerhead pole.

To Attach the Pole Saw Attachment to the Extension Pole:

1. When installing the pole saw attachment **1** into the extension pole **11**, align the latching button **18** with the hole **19** on the extension pole coupler **12** as shown in Fig. C.
2. Turn the knob **13** clockwise to lock attachment to upper powerhead pole.
3. When properly assembled, it should look like Fig. C. If it does not, do not use, disassemble and re-align the pole saw attachment **1** so the latching button **18** engages the hole **19** in the extension pole coupler **12**.

! WARNING: Always check to make sure that the knobs are completely secured in place. If the knobs are not completely secured it could result in the assemblies becoming disconnected creating a hazardous condition. Periodically check the connections to ensure that the knobs are completely secured in place.

DISASSEMBLY

! WARNING: To reduce the risk of serious personal injury, turn unit off and remove the battery pack before making any adjustments or removing/installing attachments or accessories. An accidental start-up can cause injury.

Detaching Pole Saw Assembly (Fig. B, C, K)

! WARNING: Sharp moving blade. To prevent accidental operation, insure that battery is disconnected from the handle and that the protective scabbard is in place on the chain before performing the following operations. Failure to do this could result in serious personal injury.

When detaching the assemblies, always detach the pole saw attachment **1** first.

To Remove the Extension Pole from the Pole Saw Attachment:

1. Install scabbard **14** on guide bar and chain.
2. When removing the pole saw attachment **1** from the extension pole **17**, loosen the knob **13**.
3. Depress the latching button **18** located on the extension pole coupler **12**, and pull the pole saw attachment **1** away from the extension pole **11**.

To Remove the Powerhead from the extension pole:

1. When removing the extension pole **11** from the powerhead **17**, loosen the knob **13**. Then depress the latching button **18** and pull the extension pole **11** away from the powerhead **17**.

Installing the Guide Bar and Saw Chain (Fig. A, D–G)

! CAUTION: Sharp chain. Always wear protective gloves when handling the chain. The chain is sharp and can cut you when it is not running.

! WARNING: Sharp moving chain. To prevent accidental operation, ensure that battery is removed from the tool before performing the following operations. Failure to do this could result in serious personal injury.

If the saw chain **7** and guide bar **6** are packed separately in the carton, the chain has to be attached to the bar, and both must be attached to the body of the tool.

1. Place the pole saw attachment **1** on a flat, firm surface.
2. Rotate the bar lock nuts **3** counterclockwise with a 13 mm wrench (not provided) and remove them.
3. Using a flat-head screwdriver rotate the sprocket cover screw **20** counterclockwise and remove it.
4. Take off the sprocket cover **2**.
5. Using a flat-head screwdriver turn chain tensioning screw **8** counterclockwise four turns.
6. Wearing protective gloves, grasp the saw chain **7** and wrap it around the guide bar **6**, ensuring the teeth are facing the correct direction.
7. Ensure the chain is properly set in the slot around the entire guide bar.

- Place the saw chain around the sprocket **21**. While lining up the slot on the guide bar with chain tensioning pin **22**, and the two bar retaining bolts **23**, on the base of the tool as shown in Figure F.
- Once in place, hold the bar still, replace the sprocket cover **2**. Make sure bolt holes on the cover lines up with the two bar retaining bolts **23**, on the main housing.
- Install the bar lock nuts **3** and rotate clockwise with a 13 mm wrench (not provided) until snug, then loosen the nuts one full turn, so the saw chain can be properly tensioned.
- Rotate the chain tensioning screw **8** clockwise to increase chain tension as shown in Fig. F. Make sure the saw chain **7** is snug around the guide bar **6**. Tighten the bar lock nut **3** until snug.
- Follow the instructions in the section **Adjusting Chain Tension**.

Adjusting Chain Tension (Fig. A, E, G, H)

NOTE: Saw chain tensioning should be adjusted regularly before each use.

- With the pole saw still on a firm surface check the saw chain **7** tension. The tension is correct when the saw chain snaps back after being pulled 3 mm away from the guide bar **6** with light force from the middle finger and thumb as shown in Figure G. There should be no "sag" between the guide bar and the saw chain on the underside as shown in Figure H.
- To adjust saw chain tensioning, loosen bar lock nuts **3** as described in **Installing the Guide Bar and Saw Chain** section.
- Rotate the chain tensioning screw **8** in the front of the housing using a flat head screwdriver.
- Check the saw chain tensioning, adjust if needed.
- Do not over-tension the saw chain as this will lead to excessive wear and will reduce the life of the guide bar and saw chain. Overtensioning also reduces the amount of cuts you will get per battery charge.
- Once saw chain tensioning is correct, tighten bar lock nuts **3** until snug.
- A new chain stretches slightly during the first few hours of use. It is important to check the tension frequently (after disconnecting battery) during the first 2 hours of use.

Replacing the Saw Chain (Fig. D, E)

CAUTION: Sharp chain. Always wear protective gloves when handling the chain. The chain is sharp and can cut you when it is not running.

WARNING: Sharp moving chain. To prevent accidental operation, ensure that battery is removed from the tool before performing the following operations. Failure to do this could result in serious personal injury.

- To remove the saw chain **7**, rotate the chain tensioning screw **8** in the front of the housing using a flat-head screwdriver. Turning the screw counterclockwise allows the

guide bar **6** to recede and reduces the tension on the chain so that it may be removed.

- Place the pole saw on a flat, firm surface.
- Remove sprocket cover **2** as described in **Installing the Guide Bar and Saw Chain** section.
- Wearing protective gloves, grasp the saw chain and lift the worn saw chain out of the groove in the guide bar.
- Flip guide bar over every time you replace the chain to ensure even wear.
- Place the new chain in the slot of the guide bar, making sure the saw teeth are facing the correct direction by matching the arrow and graphic of the saw chain on the sprocket cover **2** shown in Figure D.
- Follow instructions for **Installing the Guide Bar and Saw Chain**.

Saw Chain and Guide Bar Oiling (Fig. I)

WARNING: If the oil reservoir runs empty, or the chain fails to get proper oil lubrication during use, the chain will overheat and cause damage to the unit and may result serious personal injury.

WARNING: Lack of proper bar and chain oiling can cause excessive heat from friction and can cause the chain to come off the bar while operating.

Auto Oiling System

This chain saw is equipped with an auto oiling system that keeps the saw chain and guide bar constantly lubricated. The oil reservoir **9** shows the level of the oil. If the oil level is less than a quarter full, remove the battery from the powerhead and refill the oil reservoir **9** with the correct type of oil. Always empty the oil reservoir **9** when finished cutting.

NOTE: Use a high quality bar and chain oil for proper saw chain and bar lubrication. As a temporary substitute, a non-detergent SAE30 weight motor oil can be used. The use of a vegetable based bar and chain oil is recommended when pruning trees. Mineral oil is not recommended because it may harm trees. Never use waste oil or very thick oil. These may damage your chain saw.

Filling the Oil Reservoir

- Unscrew counterclockwise and then remove the oil cap **4**. Fill the oil reservoir **9** with the recommended bar and chain oil until full.
- Refit the oil cap and tighten clockwise.
- Periodically switch the tool off and check the oil level to ensure the bar and chain are being properly oiled.

Adjusting the Auto Oiling System

WARNING: To reduce the risk of serious personal injury, turn tool off and disconnect battery pack before making any adjustments or removing/installing attachments or accessories. An accidental start-up can cause injury.

The oil adjustment screw **10** is located on top of the gearbox assembly **24**.

- Insert the supplied 2.4 mm hex wrench **15** into the oil adjustment screw **10**.

- Turn the screw counterclockwise to increase oil flow to the bar and chain.
- Turn the screw clockwise to reduce the oil flow to the bar and chain.

Attaching and Adjusting the Shoulder Strap (Fig. E)

WARNING: The shoulder strap should only be slung over one shoulder and not across the body.

WARNING: Use of a shoulder strap (8) is required while using this tool.

Attach the strap to the tool as shown in Fig. E and adjust for proper balance and support.

- Attach the strap mount.
- Snap the shoulder strap latch (23) onto the strap mount (7) located on the unit, just in front of the ON/OFF trigger as shown in Fig. E. Adjust the strap so it fits over your shoulder and provides proper balance and support.

Transporting Chainsaw (Fig. K)

- Always turn unit off, remove the battery and cover the guide bar (6) with the scabbard (14) when transporting the saw.

OPERATION

Instructions for Use

WARNING: Always observe the safety instructions and applicable regulations.

WARNING: To reduce the risk of serious personal injury, turn tool off and disconnect battery pack before making any adjustments or removing/installing attachments or accessories. An accidental start-up can cause injury.

Proper Hand Position (Fig. L)

WARNING: To reduce the risk of serious personal injury, ALWAYS use proper hand position as shown.

WARNING: To reduce the risk of serious personal injury, ALWAYS hold securely in anticipation of a sudden reaction.

WARNING: Hold the tool using only the designated gripping surfaces: The powerhead handle and the auxiliary handle.

WARNING: Do not use the pole as a gripping surface.

Proper hand position requires one hand on the powerhead handle (22) and one hand on the auxiliary handle (23).

Operating the Pole Saw (Fig. A)

WARNING: Read and understand all instructions. Failure to follow all instructions listed below may result in electric shock, fire and/or serious personal injury.

CAUTION: Always reduce the tension off the chain again after finishing work. The chain contracts as it cools down. If it is not slackened off, it can damage the pole saw.

IMPORTANT: Never operate a pole saw that is damaged or improperly adjusted or that is not completely and securely assembled. Be sure that the saw chain (7) stops moving when the trigger switch is released. Never adjust the guide bar (6) or saw chain when the motor is operating or the battery is attached.

Pole Saw Trimming/Pruning

WARNINGS:

- Never stand directly under the limb you are cutting.** Always position yourself out of the path of falling debris.
- Always wear head, eye, foot and body protection.** Wearing body protection helps reduce the risk of injury when operating this unit.
- Never stand on a ladder or other unstable support while using the pole saw.** Always avoid any position which can cause you to lose your balance and cause severe injury.
- Keep other persons at least 15 m from the work area.** Distractions can cause you to lose control.
- Electrocution Hazard.** To prevent shock, do not operate within 15 m of overhead electrical lines. Always check surrounding area for hidden electrical lines.
- Do not hold pole saw switch handle above shoulder height.**

Branch Removal Hook (Fig. A)

CAUTION: The branch removal hook is not a belt hook.

Your pole saw includes a branch removal hook (5) for the intended purpose of helping to remove small to moderately sized pruned branches.

Pruning With the Pole Saw (Fig. A, M–O)

WARNING: Let the tool work at its own pace. Do not overload.

WARNING: When pruning trees: guard against kickback which can result in severe injury or death. See **Guard Against Kickback**, to avoid the risk of kickback. Do not overreach. Make sure your footing is firm. Keep feet apart. Divide your weight evenly on both feet.

- Use both hands to grip pole saw as shown in Fig. M, N. Use a firm grip. Thumbs and fingers must wrap around the powerhead handle (22) and auxiliary handle (23). Keep fingers away from sawdust exhaust chute (30) shown in Fig. O.
- Never operate while in a tree, in any awkward position or on a ladder or other unstable surface. You may lose control of pole saw causing severe injury.
- Follow directions below to trim a tree.
 - Make sure pole saw is running at full speed before making a cut. When starting a cut, place moving saw chain (7) against limb. Hold pole saw firmly in place to avoid possible bouncing or skating (sideways movement) of pole saw.
 - Guide pole saw using light pressure. Make first cut 152 mm from tree trunk on underside of limb. Use top of guide

bar **6** to make this cut. Cut 1/3 through diameter of limb. Then make the finish cut from the top. If you try to cut off thick branches from the bottom, the branch may close in and pinch the saw chain in the cut. If you try to cut off thick branches from the top, without a shallow undercut, the branch may splinter. Do not force pole saw. The motor will overload and can burn out. It will do the job better and safer at the rate for which it was intended.

- c. Remove pole saw from cut while it is running at full speed. Stop pole saw by releasing trigger switch **33**. Make sure saw chain has stopped before setting pole saw down.

Saw Chain Sharpness



CAUTION: Sharp chain. Always wear protective gloves when handling the chain. The chain is sharp and can cut you when it is not running.

IMPORTANT: The chain cutters will dull immediately if they touch the ground, stones, masonry or a nail while cutting.

To get the best possible performance from your chain saw it is important to keep the teeth of the saw chain sharp. Chain sharpening services are available from your nearest DeWALT service center.

NOTE: Each time the saw chain is sharpened, it loses some of the reduced kickback qualities and extra caution should be used. It is recommended that a saw chain be sharpened no more than four times.

MAINTENANCE

Your power tool has been designed to operate over a long period of time with a minimum of maintenance. Continuous satisfactory operation depends upon proper tool care and regular cleaning.



WARNING: To reduce the risk of serious personal injury, turn tool off and disconnect battery pack before making any adjustments or removing/installing attachments or accessories. An accidental start-up can cause injury.

The charger and battery pack are not serviceable.



Lubrication

Your power tool requires no additional lubrication.



Cleaning



WARNING: Blow dirt and dust out of the main housing with dry air as often as dirt is seen collecting in and around the air vents. Wear approved eye protection and approved dust mask when performing this procedure.



WARNING: Never use solvents or other harsh chemicals for cleaning the non-metallic parts of the tool. These chemicals may weaken the materials used in these parts. Use a cloth dampened only with water and mild soap.

Never let any liquid get inside the tool; never immerse any part of the tool into a liquid.

Saw Chain and Guide Bar

After every few hours of use, remove the sprocket cover, guide bar and chain and clean thoroughly using a soft bristle brush. Ensure oiling hole on bar is clear of debris. When replacing dull chains with sharp chains it is good practice to flip the chain bar from bottom to top.

Optional Accessories



WARNING: Since accessories, other than those offered by DeWALT, have not been tested with this product, use of such accessories with this tool could be hazardous. To reduce the risk of injury, only DeWALT recommended accessories should be used with this product.

Contact your dealer for further information on the appropriate accessories.

Replacement chain and bar are available from your nearest authorized service center.

- This chain saw requires replacement 204 mm chain DT20681. Replacement 204 mm bar and chain DT20686.

Protecting the Environment



Separate collection. Products and batteries marked with this symbol must not be disposed of with normal household waste.



Products and batteries contain materials that can be recovered or recycled reducing the demand for raw materials. Please recycle electrical products and batteries according to local provisions. Further information is available at www.2helpU.com.

Rechargeable Battery Pack

This long life battery pack must be recharged when it fails to produce sufficient power on jobs which were easily done before. At the end of its technical life, discard it with due care for our environment:

- Run the battery pack down completely, then remove it from the tool.
- Li-Ion cells are recyclable. Take them to your dealer or a local recycling station. The collected battery packs will be recycled or disposed of properly.