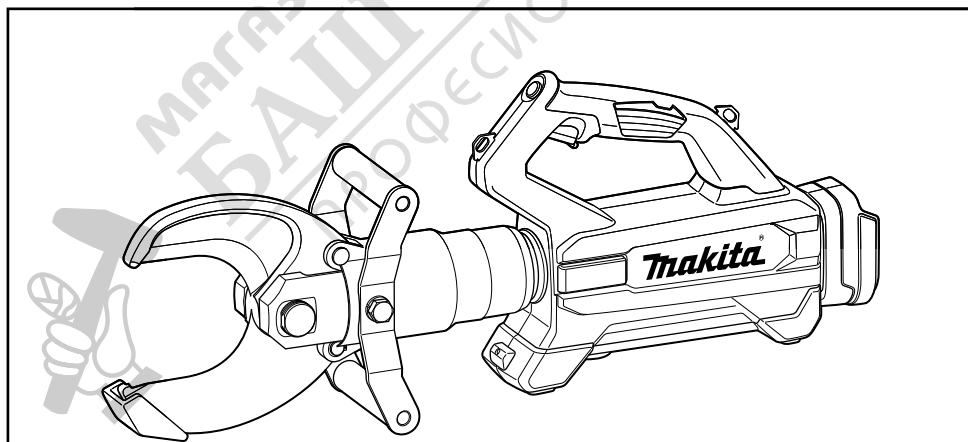


EN	Cordless Cable Cutter	INSTRUCTION MANUAL	2
FR	Coupe câble sans fil	MODE D'EMPLOI	12
DE	Akku-Kabelschneider	BETRIEBSANLEITUNG	22
IT	Tagliacavi a cricchetto a batteria	ISTRUZIONI PER L'USO	32
NL	Snoerloze kabelschaar	GEBRUIKSAANWIJZING	43
ES	Cortadora de Cable Inalámbrica	MANUAL DE INSTRUCCIONES	53
DA	Batteridreven kabelsaks	INSTRUKTIONSVEJLEDNING	64
SV	Batteridreven kabelklippare	BRUKSANVISNING	74
NO	Batteridrevet kabelkutter	INSTRUKSJONSHÅNDBOK	84
FI	Akkukaapelileikkuri	KÄYTTÖOPAS	94
LV	Akumulatora kabeļu knaibles	LIETOŠANAS INSTRUKCIJA	104
LT	Akumuliatorinės kabelio kirpimo žirklys	NAUDOTOJO VADOVAS	114
ET	Aku kaablilõikur	KASUTUSJUHEND	124
ZHTW	充電式電纜剪	使用手冊	134



## DTC104



Read before use.  
À lire avant utilisation.  
Vor Gebrauch lesen.  
Leggere prima dell'uso.

Lezen voor gebruik.  
Leer antes de usar.  
Læs inden brug.  
Läs före användning.  
Må leses før bruk.

Lue ennen käyttöä.  
Izlasīt pirms lietošanas.  
Prieš naudodami perskaitykite.

Lugege enne kasutamist.  
使用前請詳讀。

**⚠WARNING:** Please read and understand all of the instructions and safety information in this operator's guide and instructions. Use for unintended applications may lead to serious injury or death.

- Thank you for purchasing our cordless cable cutter.
- Please read this instruction manual thoroughly and carefully before attempting to use the equipment. After reading this instruction manual, store it in an easily accessible location.

## Safety precautions

### Be sure to observe the following

The following are the items that you should observe to prevent people from being harmed and property from being damaged.

**⚠WARNING:** The user may be killed or seriously injured if this product is misused.

#### 1) Work area safety

- Keep work area clean and well lit. Cluttered or dark areas invite accidents.
- Do not operate power tools in explosive atmospheres, such as in the presence of flammable liquids, gases or dust. Power tools create sparks which may ignite the dust or fumes.
- Keep children and bystanders away while operating a power tool. Distractions can cause you to lose control.

#### 2) Electrical safety

- Power tool plugs must match the outlet. Never modify the plug in any way. Do not use any adapter plugs with earthed (grounded) power tools. Unmodified plugs and matching outlets will reduce risk of electric shock.
- Avoid body contact with earthed or grounded surfaces, such as pipes, radiators, ranges and refrigerators. There is an increased risk of electric shock if your body is earthed or grounded.
- Do not expose power tools to rain or wet conditions. Water entering a power tool will increase the risk of electric shock.
- Do not abuse the cord. Never use the cord for carrying, pulling or unplugging the power tool. Keep cord away from heat, oil, sharp edges or moving parts. Damaged or entangled cords increase the risk of electric shock.
- When operating a power tool outdoors, use an extension cord suitable for outdoor use. Use of a cord suitable for outdoor use reduces the risk of electric shock.
- If operating a power tool in a damp location is unavoidable, use a residual current device (RCD) protected supply. Use of an RCD reduces the risk of electric shock.

#### 3) Personal safety

- Stay alert, watch what you are doing and use common sense when operating a power tool. Do not use a power tool while you are tired or under the influence of drugs, alcohol or medication. A moment of inattention while operating power tools may result in serious personal injury.
- Use personal protective equipment. Always wear eye protection. Protective equipment such as dust mask, non-skid safety shoes, hard hat, or hearing protection used for appropriate conditions will reduce personal injuries.
- Prevent unintentional starting. Ensure the switch is in the off-position before connecting to power source and/or battery pack, picking up or carrying the tool. Carrying power tools with your finger on the switch or energising power tools that have the switch on invites accidents.
- Remove any adjusting key or wrench before turning the power tool on. A wrench or a key left attached to a rotating part of the power tool may result in personal injury.
- Do not overreach. Keep proper footing and balance at all times. This enables better control of the power tool in unexpected situations.
- Dress properly. Do not wear loose clothing or jewellery. Keep your hair, clothing and gloves away from moving parts. Loose clothes, jewellery or long hair can be caught in moving parts.
- If devices are provided for the connection of dust extraction and collection facilities, ensure these are connected and properly used. Use of dust collection can reduce dust-related hazards.
- Do not let familiarity gained from frequent use of tools allow you to become complacent and ignore tool safety principles. A careless action can cause severe injury within a fraction of a second.

#### 4) Power tool use and care

- a) Do not force the power tool. Use the correct power tool for your application. The correct power tool will do the job better and safer at the rate for which it was designed.
- b) Do not use the power tool if the switch does not turn it on and off. Any power tool that cannot be controlled with the switch is dangerous and must be repaired.
- c) Disconnect the plug from the power source and/ or the battery pack from the power tool before making any adjustments, changing accessories, or storing power tools. Such preventive safety measures reduce the risk of starting the power tool accidentally.
- d) Store idle power tools out of the reach of children and do not allow persons unfamiliar with the power tool or these instructions to operate the power tool. Power tools are dangerous in the hands of untrained users.
- e) Maintain power tools and accessories. Check for misalignment or binding of moving parts, breakage of parts and any other condition that may affect the power tool's operation. If damaged, have the power tool repaired before use. Many accidents are caused by poorly maintained power tools.
- f) Keep cutting tools sharp and clean. Properly maintained cutting tools with sharp cutting edges are less likely to bind and are easier to control.
- g) Use the power tool, accessories and tool bits etc. in accordance with these instructions, taking into account the working conditions and the working conditions and the work to be performed.  
Use of the power tool for operations different from those intended could result in a hazardous situations.
- h) Keep handles and grasping surfaces dry, clean and free from oil and grease. Slippery handles and grasping surfaces do not allow for safe handling and control of the tool in unexpected situations.

#### 5) Battery tool use and care

- a) Recharge only with the charger specified by the manufacturer. A charger that is suitable for one type of battery pack may create a risk of fire when used with another battery pack.
- b) Use power tools only with specifically designated battery packs. Use of any other battery packs may create a risk of injury and fire.
- c) When battery pack is not in use, keep it away from other metal objects, like paper clips, coins, keys, nails, screws or other small metal objects, that can make a connection from one terminal to another. Shorting the battery terminals together may cause burns or a fire.
- d) Under abusive conditions, liquid may be ejected from the battery; avoid contact. If contact accidentally occurs, flush with water. If liquid contacts eyes, additionally seek medical help. Liquid ejected from the battery may cause irritation or burns.
- e) Do not use a battery pack or tool that is damaged or modified. Damaged or modified batteries may exhibit unpredictable behaviour resulting in fire, explosion or risk of injury.

- f) Do not expose a battery pack or tool to fire or excessive temperature. Exposure to fire or temperature above 130°C may cause explosion.
- g) Follow all charging instructions and do not charge the battery pack or tool outside the temperature range specified in the instructions. Charging improperly or at temperatures outside the specified range may damage the battery and increase the risk of fire.

#### 6) Service

- a) Have your power tool serviced by a qualified repair person using only identical replacement parts. This will ensure that the safety of the power tool is maintained.
- b) Never service damaged battery packs. Service of battery packs should only be performed by the manufacturer or authorized service providers.

Hold the power tool by insulated gripping surfaces, when performing an operation where the fastener may contact hidden wiring. Fasteners contacting a "live" wire may make exposed metal parts of the power tool "live" and could give the operator an electric shock.

# Precautions in using the cordless cable cutter

- When using this tool, follow the instructions as shown below:

## Precautions for the tool

- Do not cut live cable.
- Never operate the tool while the head is pointing in the direction of bystanders.
- When the tool is stored for an extended period at a temperature of 0°C or less, leave it at a temperature of 10°C to 15°C for approximately 60 minutes. This is to make sure the flow of the hydraulic oil is smooth and also to correct operation of the tool.
- Do not drop the tool or expose it to sudden shocks. This tool contains many small components and precision parts. The tool will not operate correctly if exposed to sudden shocks.
- Do not expose the tool to water, oil, or solvents.
- Always point the tool away from other people.
- Do not drop the tool. Dropping the tool may damage the hydraulic circuit and result in the tool not functioning properly.

## Precautions in using battery pack

- Never short-circuit the terminals.
- Keep the battery pack away from water, oil, and organic solvents.
- Do not disassemble or modify the battery pack.
- If the battery pack is disposed of, do not subject it to flames or dispose of it as general waste. (We promote recycling. (see page 9))
- Do not throw or drop the battery pack.
- Do not leave the battery pack in a place where the temperature is 40°C or higher for a long time.
- Do not short-circuit the battery by placing dirt or dust on the terminal, as this will lead to malfunction. If the terminal is corroded, do not use the battery pack.
- A protective function that stops the output is equipped to prolong the life of the battery pack. The motor may stop when the remaining battery level is low even while the operation switch is pressed during the use of this tool. However, this phenomenon is caused not by malfunction but by the protective function. In such a case, immediately charge the battery.

## Precautions for the battery charger

- This battery charger has an indicator lamp (multicoloured LED) to show the battery charging state.
- Do not short-circuit the charger by placing dirt or dust into the insertion slot, as this will lead to malfunction. If the metal terminal is corroded, do not use the battery charger.

## Symbols



Only for EU countries

Due to the presence of hazardous components in the equipment, waste electrical and electronic equipment, accumulators, and batteries may have a negative impact on the environment and human health.

Do not dispose of electrical and electronic appliances or batteries with household waste!

In accordance with the European Directive on waste electrical and electronic equipment and on accumulators and batteries and waste accumulators and batteries, as well as their adaptation to national law, waste electrical equipment, batteries, and accumulators should be stored separately and delivered to a separate collection point for municipal waste, operating in accordance with the regulations on environmental protection.

This is indicated by the symbol of a crossed-out wheeled bin placed on the equipment.



Do not touch the blade while it is in motion. There is a risk of injury.

## Noise

The typical A-weighted noise level determined according to EN62841-1:

Sound Pressure level (K=3 dB(A)): 67.7 dB(A)

Sound Power level (K=3 dB(A)): 75.7 dB(A)

**NOTE:** The declared noise emission value(s) has (have) been measured in accordance with a standard test method and may be used for comparing one tool with another.

**NOTE:** The declared noise emission value(s) may also be used in a preliminary assessment of exposure.

## ▲WARNING:

- Wear ear protection.
- The noise emission during actual use of the power tool can differ from the declared value(s) depending on the ways in which the tool is used, especially what kind of workpiece is processed.
- Be sure to identify safety measures to protect the operator that are based on an estimation of exposure in the actual conditions of use (taking into account all parts of the operating cycle such as the times when the tool is switched off and when it is running idle in addition to the trigger time).

### Vibration

The vibration total value (tri-axial vector sum) determined according to EN62841-1:

Main handle: 0.4 m/s<sup>2</sup>

Front handle: 0.3 m/s<sup>2</sup>

Uncertainty (K): 1.5 m/s<sup>2</sup>

**NOTE:** The declared vibration total value(s) has (have) been measured in accordance with a standard test method and may be used for comparing one tool with another.

**NOTE:** The declared vibration total value(s) may also be used in a preliminary assessment of exposure.

### **⚠WARNING:**

- The vibration emission during actual use of the power tool can differ from the declared value(s) depending on the ways in which the tool is used, especially what kind of workpiece is processed.
- Be sure to identify safety measures to protect the operator that are based on an estimation of exposure in the actual conditions of use (taking into account all parts of the operating cycle such as the times when the tool is switched off and when it is running idle in addition to the trigger time).



МАГАЗИН  
БАШ МАЙСТОРА  
ПРОФЕСИОНАЛНИ РЕШЕНИЯ

# Applicable battery cartridge and charger

Battery cartridge	BL1815N / BL1820B / BL1830B / BL1840B / BL1850B / BL1860B
Charger	DC18RC / DC18RD / DC18RE / DC18SD / DC18SE / DC18SF / DC18SH / DC18WC

- Some of the battery cartridges and chargers listed above may not be available depending on your region of residence.
- To charge the battery, please read the instruction manual for the battery charger.

**⚠WARNING:** Only use the battery cartridges and chargers listed above. Use of any other battery cartridges and chargers may cause injury and/or fire.

## Important safety instructions for battery cartridge

1. Before using battery cartridge, read all instructions and cautionary markings on (1) battery charger, (2) battery, and (3) product using battery.
2. Do not disassemble or tamper with the battery cartridge. It may result in a fire, excessive heat, or explosion.
3. If operating time has become excessively shorter, stop operating immediately. It may result in a risk of overheating, possible burns and even an explosion.
4. If electrolyte gets into your eyes, rinse them out with clear water and seek medical attention right away. It may result in loss of your eyesight.
5. Do not short the battery cartridge:
  - (1) Do not touch the terminals with any conductive material.
  - (2) Avoid storing the battery cartridge in a container with other metal objects such as nails, coins, etc.
  - (3) Do not expose the battery cartridge to water or rain.

A battery short can cause a large current flow, overheating, possible burns, and even a breakdown.
6. Do not store and use the tool and battery cartridge in locations where the temperature may reach or exceed 50°C (122°F).
7. Do not incinerate the battery cartridge even if it is severely damaged or is completely worn out. The battery cartridge can explode in a fire.
8. Do not nail, cut, crush, throw, drop the battery cartridge, or allow a hard object to hit the battery cartridge. Such conduct may result in a fire, excessive heat, or explosion.
9. Do not use a damaged battery.
10. The contained lithium-ion batteries are subject to the Dangerous Goods Legislation requirements.

For commercial transport, e.g. by third parties, forwarding agents, special requirements on packaging and labeling must be observed.

For preparation of the item being shipped, consulting an expert for hazardous material is required. Please also observe possibly more detailed national regulations.

Tape or mask off open contacts and pack the battery in such a manner that it cannot move around in the packaging.
11. When disposing of the battery cartridge, remove it from the tool and dispose of it in a safe place. Follow your local regulations relating to disposal of batteries.
12. Use the batteries only with the products specified by Makita. Installing the batteries in non-compliant products may result in a fire, excessive heat, explosion, or leak of electrolyte.
13. If the tool is not used for a long period of time, the battery must be removed from the tool.
14. During and after use, the battery cartridge may take on heat, which can cause burns or low-temperature burns. Pay attention to the handling of hot battery cartridges.
15. Do not touch the terminal of the tool immediately after use, as it may get hot enough to cause burns.
16. Do not allow chips, dust, or soil to get stuck into the terminals, holes, and grooves of the battery cartridge. It may cause heating, catching fire, burst, and malfunction of the tool or battery cartridge, resulting in burns or personal injury.
17. Unless the tool supports use near high-voltage electrical power lines, do not use the battery cartridge near high-voltage electrical power lines. It may result in a malfunction or breakdown of the tool or battery cartridge.

18. Keep the battery away from children.

## SAVE THESE INSTRUCTIONS.

### **⚠ CAUTION:**

- **Only use genuine Makita batteries.**

Use of non-genuine Makita batteries, or batteries that have been altered, may result in the battery bursting, causing fire, personal injury, and damage. It will also void the Makita warranty for the Makita tool and charger.

### **Tips for maintaining maximum battery life**

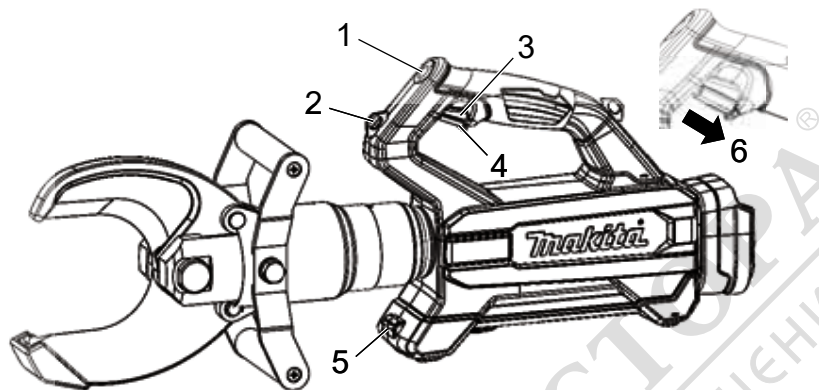
1. **Charge the battery cartridge before it is completely discharged. Always stop tool operation and charge the battery cartridge when you notice less tool power.**
2. **Never recharge a fully charged battery cartridge. Overcharging shortens the battery service life.**
3. **Charge the battery cartridge with the room temperature at 10°C–40°C (50°F–104°F). Let a hot battery cartridge cool down before charging it.**
4. **When not using the battery cartridge, remove it from the tool or the charger.**
5. **Charge the battery cartridge if you do not use it for a long period (more than six months).**



МАГАЗИН  
БАШ МАЙСТОРА®  
ПРОФЕСИОНАЛНИ РЕШЕНИЯ

# Parts and standard accessories

## Cordless cable cutter



## Carrying case



1	Release button	4	Safety lock
2	Hanging ring	5	LED work light
3	Trigger	6	Lock



# Battery

## Battery

- At the time of purchase, the battery protection function may be activated due to the battery not being sufficiently charged. (Please be careful because this product may start operating if you operate the switch.) Correctly charge the battery with the rapid charger before use.
- Attach the battery cover when not using the product. It will help protect the battery from water and dust.
- When not using the product for a long period, store it with the battery removed.

## To increase the life of the battery

- When you sense that the force of the tool has become weak, stop use and charge the battery.
- Do not recharge a battery that is fully charged.
- Charge the battery in an ambient temperature range of 10°C to 40°C.
- When the battery has become hot such as immediately after use, we recommend inserting it into the charger to cool and charge it.
- When a lithium-ion battery will not be used for a long period of time (at least 6 months), we recommend charging and then storing it.

## Battery collection

- Used batteries are collected for recycling. Please take the battery to the store where you purchased the product or a Makita sales office.



Li-ion

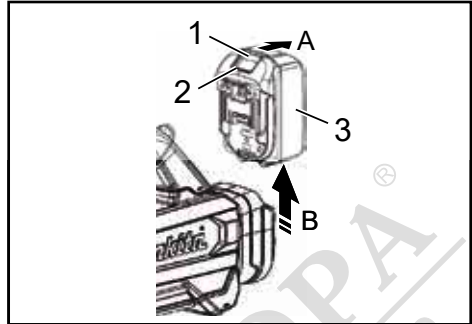
Recycle the lithium-ion battery

## How to attach and detach the battery

### ⚠ WARNING:

Insert the battery into the product properly. If the red part at the top of the button is visible, the battery is not fully locked into place. Firmly insert the battery until all of the red part cannot be seen.

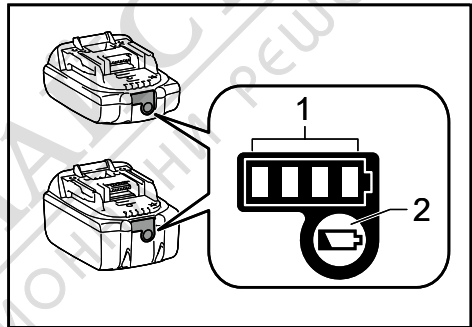
- If the battery is not inserted sufficiently, it may detach and cause an accident.
- To detach the battery from this product, A. hold down the button on the battery front and B. slide the battery to remove it.
- When attaching the battery, align the battery with the grooves in the product and then insert it all the way by performing the procedure in reverse. If the red part at the top of the button is visible at this time, the battery is not fully locked into place. Insert the battery properly all the way until all of the red part cannot be seen.



▶ 1. Button 2. Red part 3. Battery

## Indicating the remaining battery capacity

Only for battery cartridges with an indicator



▶ 1. Indicator lamps 2. Check button

Press the check button on the battery cartridge to indicate the remaining battery capacity. The indicator lamps light up for a few seconds.

Indicator lamps			Remaining capacity
Lighted	Off	Blinking	
■ ■ ■ ■			75% to 100%
■ ■ ■ □			50% to 75%
■ ■ □ □			25% to 50%
■ □ □ □			0% to 25%
▣ □ □ □			Charge the battery.
■ ■ □ □			The battery may have malfunctioned.
□ □ ■ ■			

**NOTE:** Depending on the conditions of use and the ambient temperature, the indication may differ slightly from the actual capacity.

**NOTE:** The first (far left) indicator lamp will blink when the battery protection system works.

### Applicable cutting range

Cordless cable cutter	DTC104
Applicable range	CU. Up to 105 mm dia.  *Not for ACSR or steel core cables

### Specifications

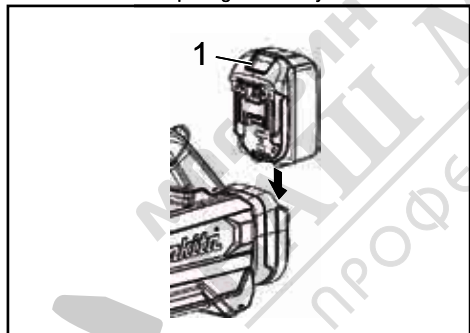
Cordless cable cutter	DTC104
Nominal output	120 kN
Oil capacity	440 ml
Blade opening	105 mm
Electric motor	DC motor
Sound power level (LWA)	Less than 100 dB
Dimension (mm)	D670 × H270 × W120
Weight	10.2–10.5 kg
Auto retract	Yes
Auto retract ON/OFF setting	No

The weight may differ depending on the attachment(s), including the battery cartridge. The lightest and heaviest combination are shown in the table.

## How to use the tool

### Attaching the battery pack

1. While pressing the latch, pull out the battery pack. To replace the battery pack, push the new pack firmly into place.
2. After sliding the battery pack on, check that it is securely in place by pulling it gently. Do not press the latch when pulling the battery.



► 1. Latch

### Trigger & Release button

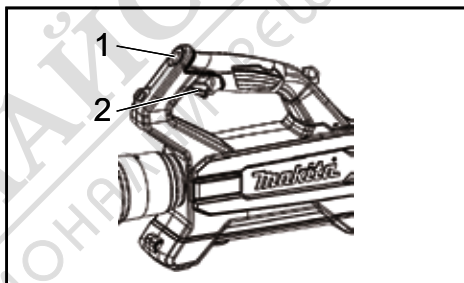
The ram advances when the trigger is pulled.

Keep pulling the trigger and the motor will stop when it reaches to the set load.

Then, the ram automatically retracts to the lower end.

To stop the ram at the desired position, tap the trigger once.

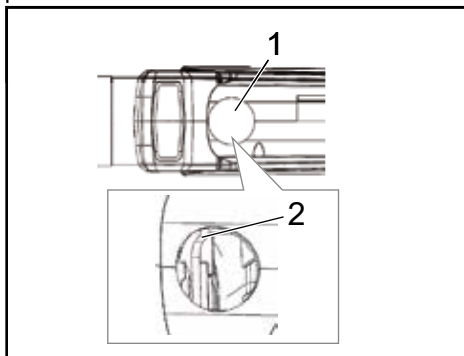
To retract the ram manually before it reaches to set load, press the release button. The ram continues to retract while the release lever is pressed.



► 1. Release button 2. Trigger

### Emergency release procedure

If the ram does not retract when the release button is depressed, remove the rubber cap at the bottom and push the release lever in the direction of the arrow.



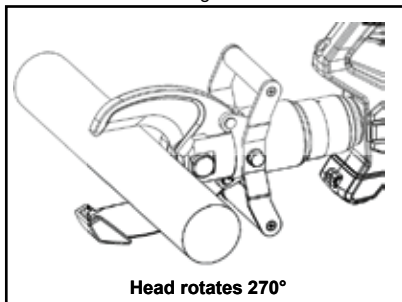
► 1. Rubber cap 2. Release lever

### **▲WARNING:**

- Besides this procedure, do not remove the rubber cap and put your finger into the hole.

## Cutting operations

1. Retract the blade to its start position by pressing the release button. Always press the release button 2 or 3 times before using the tool.



2. Insert the material between the blades. Align the material at a 90-degree angle to the blade. This will ensure a proper cut with minimal distortion. If the material is cut at any other angle, severe blade damage may occur.
3. Press the trigger so that the material is held between the blades.
4. Try to maintain the cutter and the material at a right angle as much as possible and press the trigger to proceed with cutting.
5. After the cutting operation has been completed, release the trigger, then press the release button to retract the blade to its start position.
6. When the cutting operation has been completed, remove any fragments or debris from the blade and blade track before cutting the next material.
7. Please keep the safety lock on when the tool is not in operation.  
This is to avoid unintended or unexpected activation at all times, especially when carrying the tool.

8. After using the tool for 5 minutes, let it rest for 30 minutes. If it is used continuously for more than 5 minutes, the motor will burn out.

To protect the motor, do not use the tool if the high-heat warning area becomes hot.

### ⚠ CAUTION:

- The battery protective circuit may stop the motor when remaining battery level is low even while the trigger is pressed. This is not malfunction of the tool. In such a case, immediately charge the battery.
- Never cut live wires (electric cables that are conducting electricity).
- Iron and ACSR cannot be cut.

## Attaching the Shoulder belt

### Optional accessory

The shoulder belt can be attached to the hanging rings of the tool to carry the tool.

### ⚠ WARNING:

- Always remove the shoulder belt from the tool when working with the tool. Failure to do so may cause a loss of balance and result in an accident.
- Use only the shoulder belt designated for this tool. Make sure that the shoulder belt is securely attached to the tool when carrying the tool.
- When using the shoulder belt, carefully inspect the shoulder belt and the hanging rings for damage, cracks, or deformation. If there is any damage, stop using the shoulder belt and ask Makita Authorized Service Center for repair.

## Maintenance/Inspection

- Daily maintenance is required to ensure that the tool is kept in good working condition.
- Do not store the tool in a humid environment in order to keep smooth movement of parts and prevent rust.
- When a resin part becomes dirty, wipe away with a soapy cloth.
- When the battery pack is stored alone, be sure to put the accessory terminal cover on the terminal to prevent short circuit.
- The tool performance may deteriorate due to degradation of a part or hydraulic oil. Have your tool maintained every two years to use it to the end of its life cycle (with charge). For further information, please contact an authorized service facility.

## Declarations of Conformity

### For European countries only

The Declarations of conformity are included in Annex A to this instruction manual.