

DEWALT®

XR®

МАГАЗИН
БАШ МАЙСТЕР
ПРОФЕСИОНАЛНИ РЕШЕНИЯ

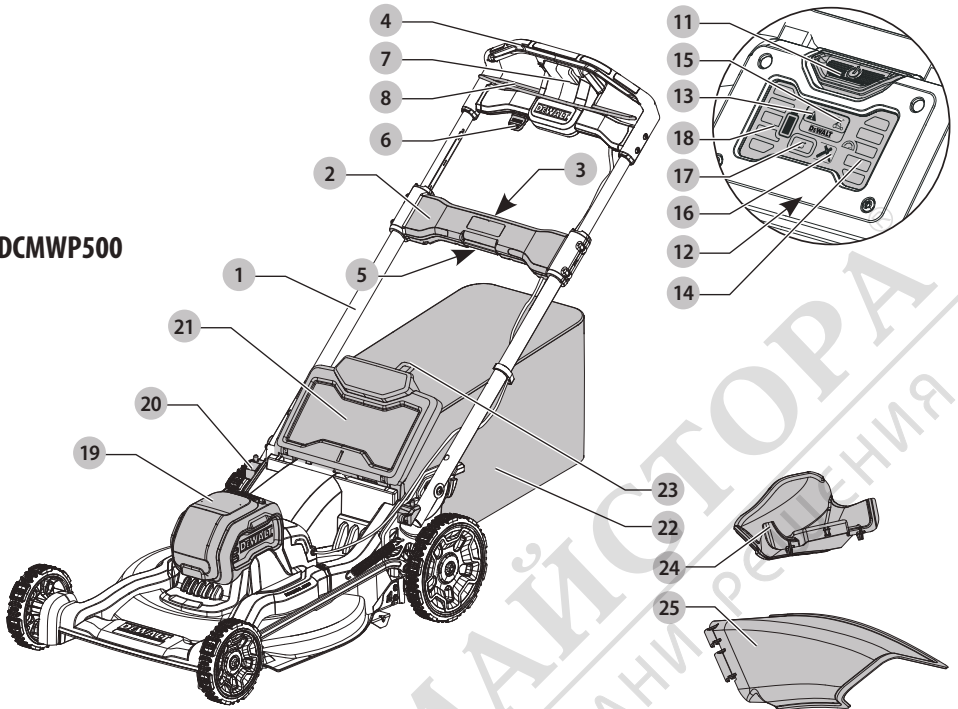


www.DEWALT.com

DCMWP500
DCMWSP550

Fig. A

DCMWP500



DCMWSP550

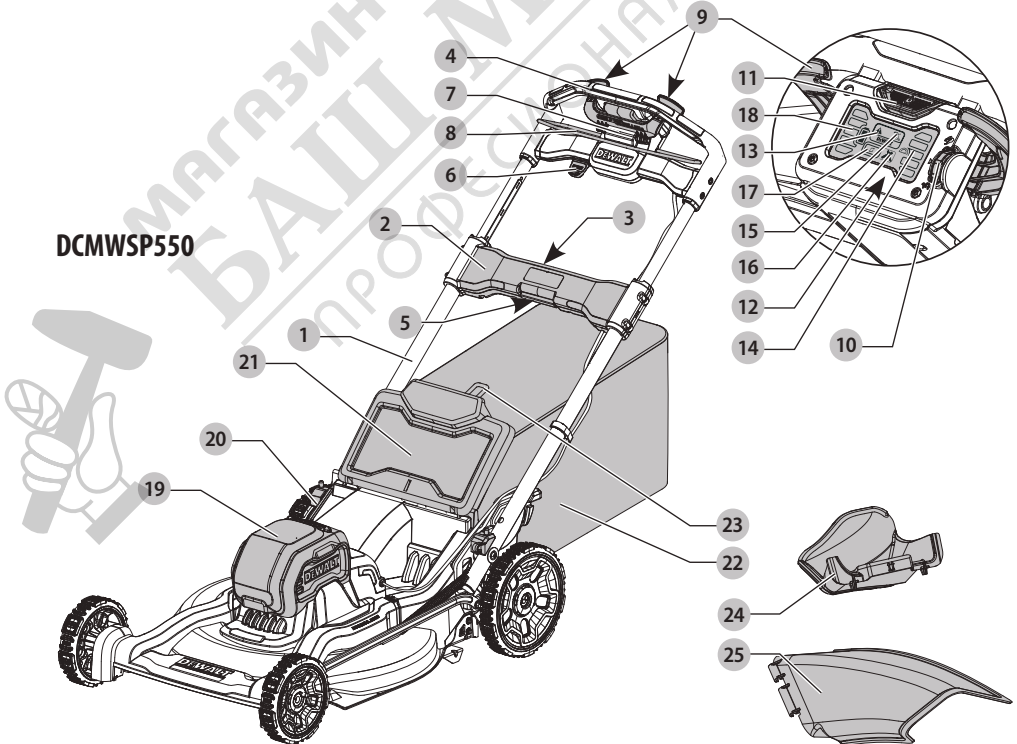


Fig. B

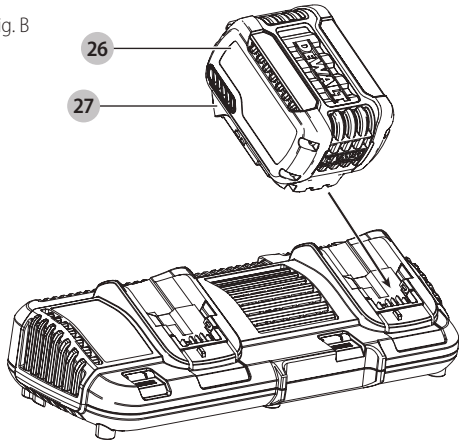


Fig. C

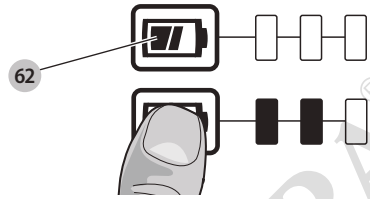


Fig. D

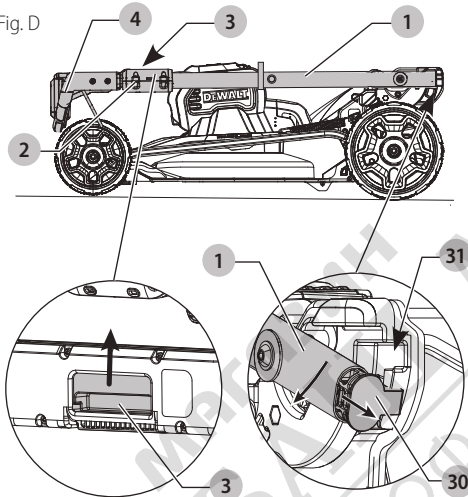


Fig. E

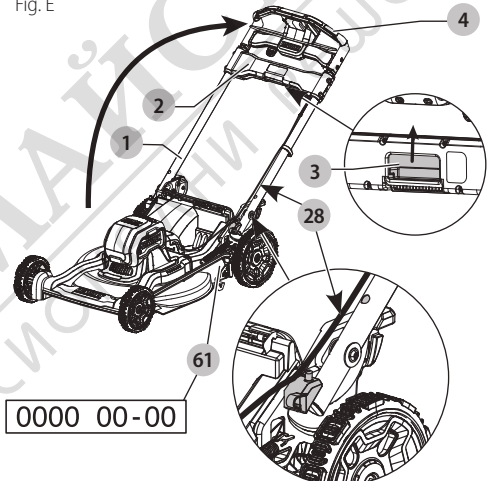


Fig. F

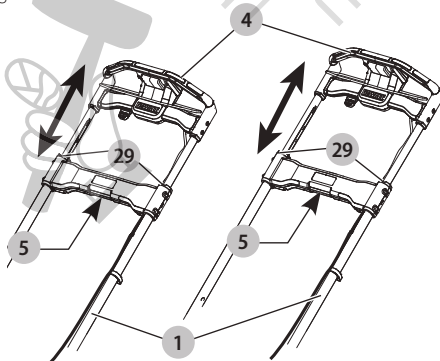


Fig. G

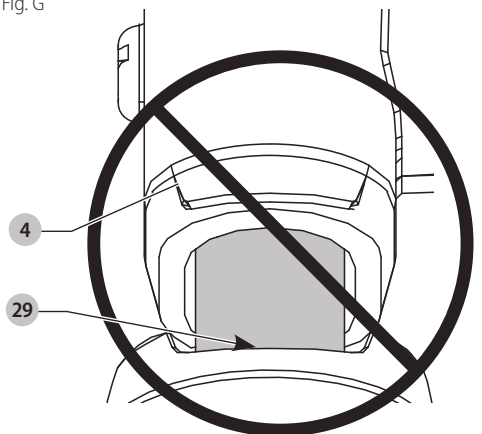


Fig. H

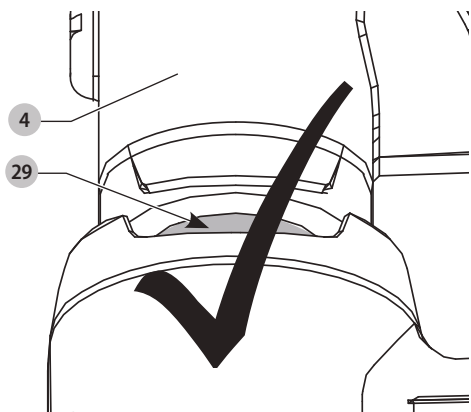


Fig. I

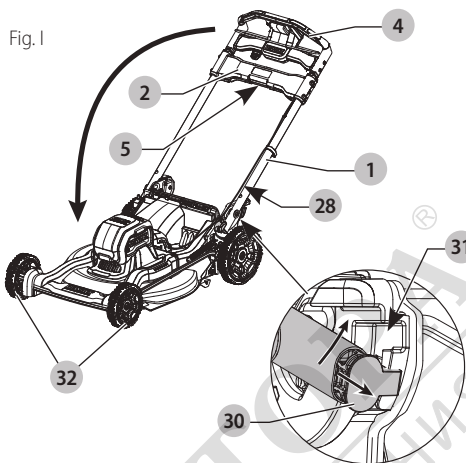


Fig. J

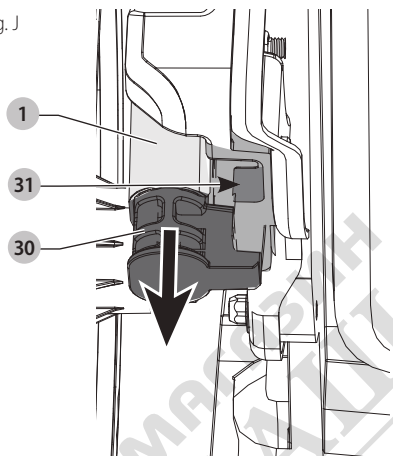


Fig. K

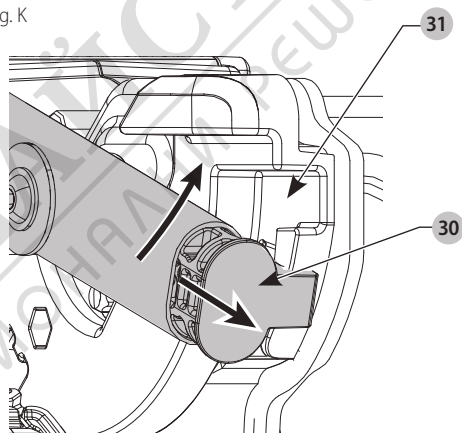


Fig. L

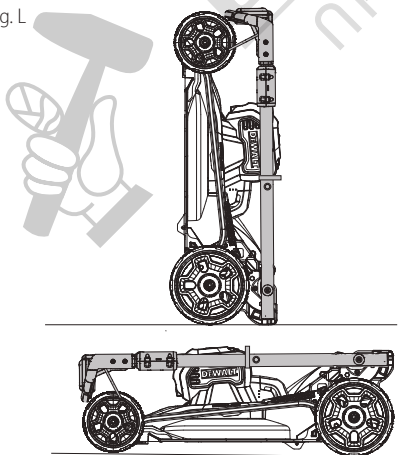


Fig. M

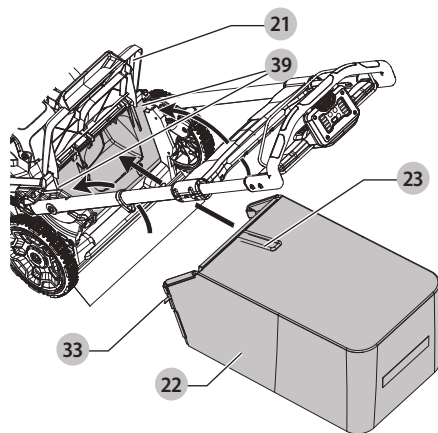


Fig. N

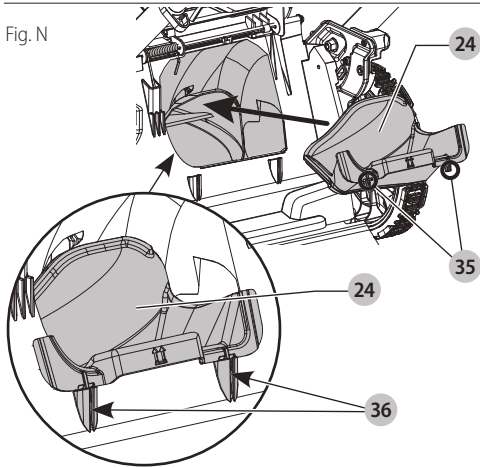


Fig. O

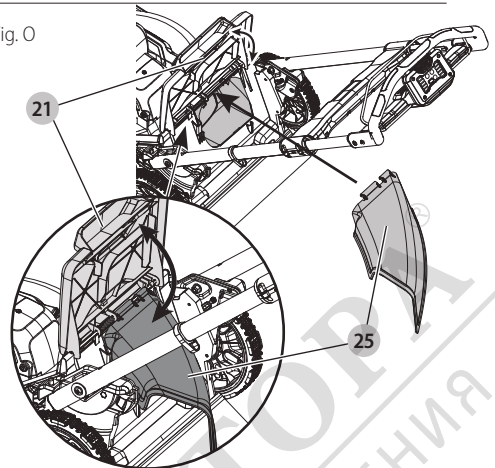


Fig. P

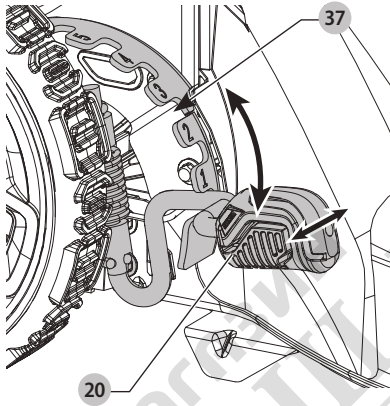


Fig. Q

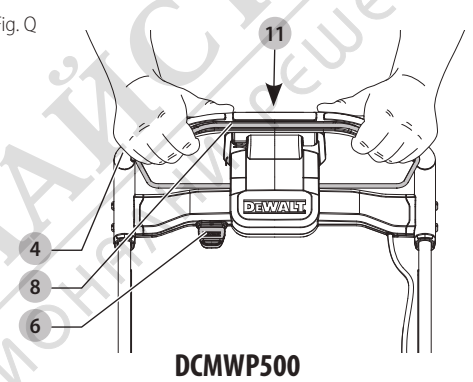


Fig. R

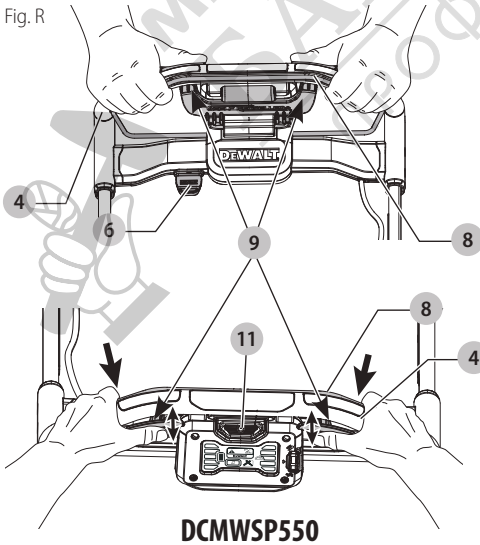


Fig. S

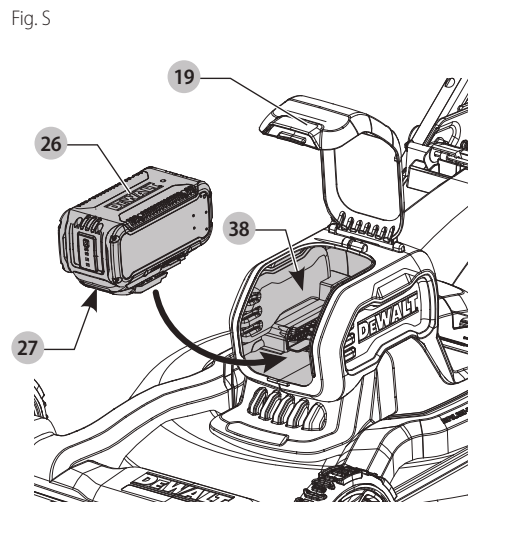


Fig. T

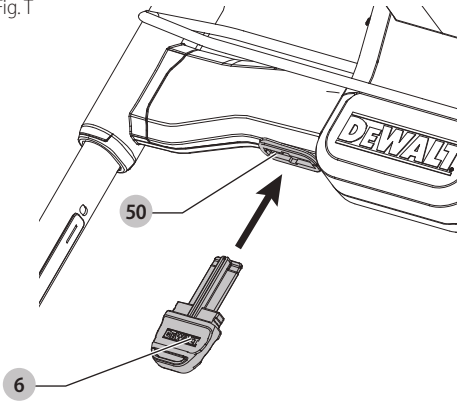


Fig. U

DCMWSP500, DCMWSP550

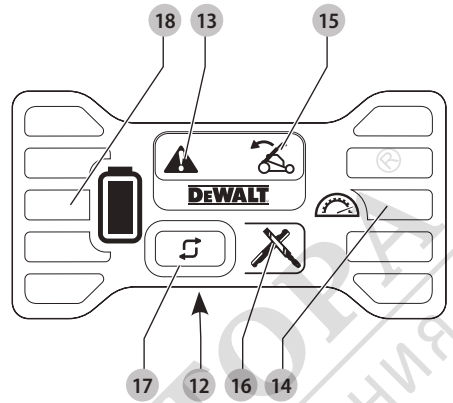


Fig. V

DCMWSP550

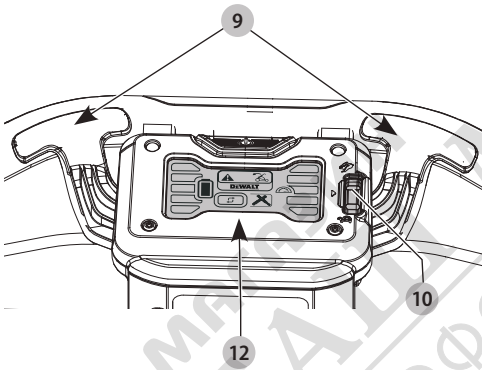


Fig. W

DCMWSP550

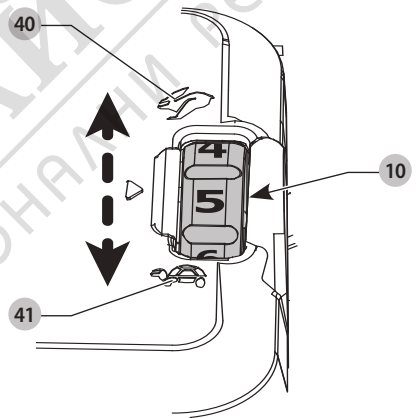


Fig. X

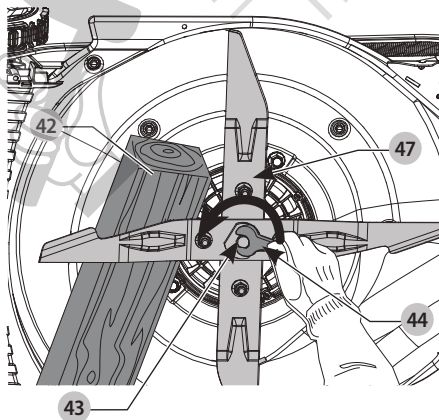


Fig. Y

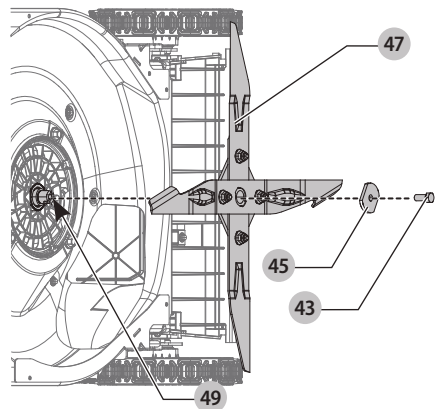


Fig. Z

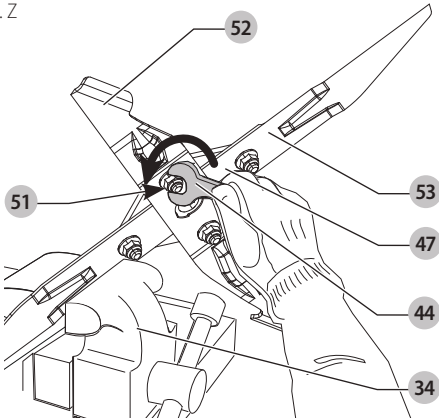


Fig. AA

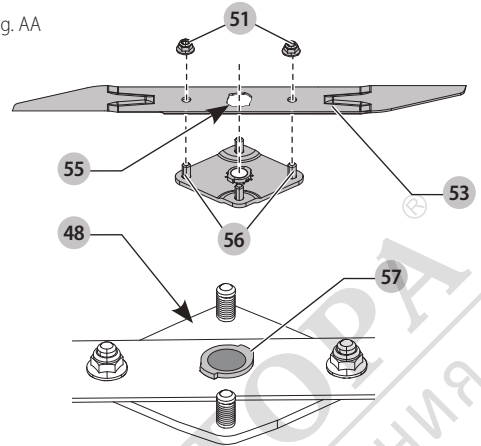


Fig. BB

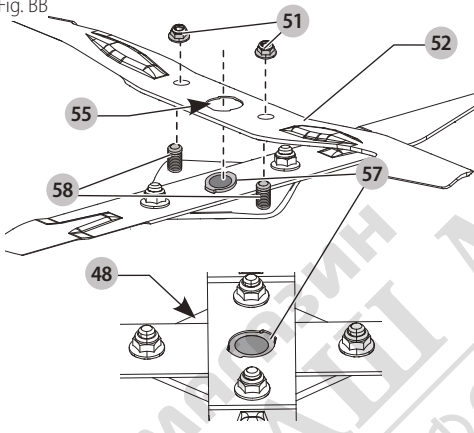


Fig. CC

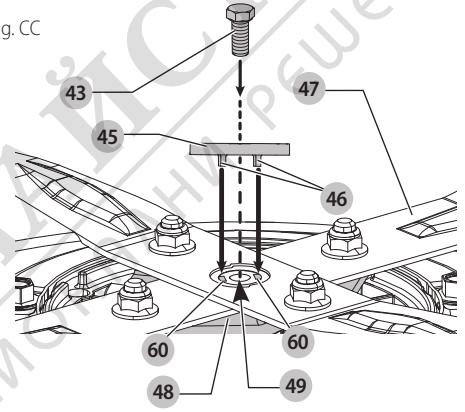


Fig. DD

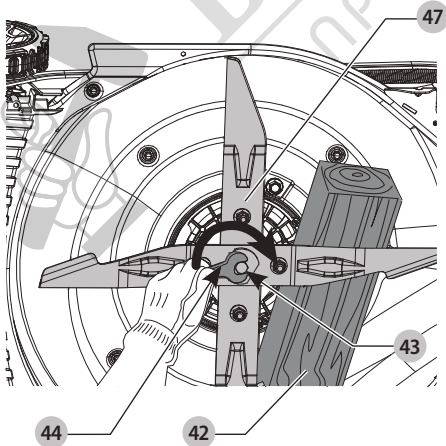


Fig. EE

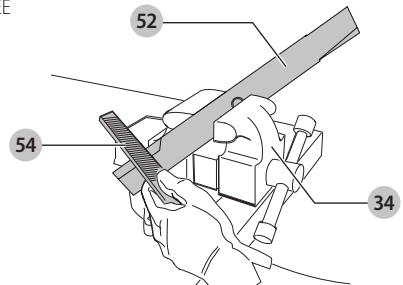
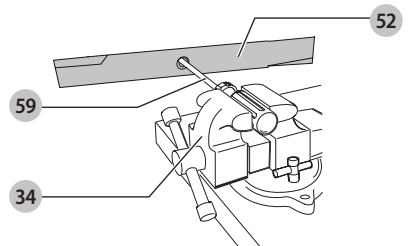


Fig. FF



DCMWP500 54V MOWER

DCMWSP550 54V SELF-PROPELLED MOWER

Congratulations!

You have chosen a DEWALT tool. Years of experience, thorough product development and innovation make DEWALT one of the most reliable partners for professional power tool users.

Technical Data

		DCMWP500	DCMWSP550
Voltage	V_{DC}	54	54
Battery type		Li-Ion	Li-Ion
No load speed	/min	2300	2300
Maximum speed	/min	2500	2500
Blade Length	cm	53	53
Weight	kg	26	29
Ingress protection		IPX4*	IPX4*

Noise values and vibration values (tri-ax vector sum) according to EN 62841-4-3


L_{pA} (emission sound pressure level)	dB(A)	77	77
K (uncertainty for the given sound level)	dB(A)	3	3
L_{WA} (sound power level)	dB(A)	84	84
K (uncertainty for the given sound level)	dB(A)	0.8	0.8

Hand/arm weighted vibration value:


Vibration emission value a_{h1} =	m/s^2	2.5	2.5
Uncertainty K =	m/s^2	1.5	1.5

*The product has been tested under conditions defined by the applicable product safety standard, which may not reflect all possible effects of exposures. After the tested exposure to rain, the product has been safe.

However, to prevent hazards, do not use or store it in wet conditions. If the product gets wet, disconnect the battery, dry it thoroughly, and carefully check its functionality. If it does not work, allow it to dry completely before further use.

 **WARNING:** Shock hazard. Batteries, which became wet, could cause electric shock to the operator. Do not touch them until they are they have been allowed to dry fully.

The vibration and/or noise emission level given in this information sheet has been measured in accordance with a standardised test given in EN62841 and may be used to compare one tool with another. It may be used for a preliminary assessment of exposure.

 **WARNING:** The declared vibration and/or noise emission level represents the main applications of the tool. However, if the tool is used for different applications, with different accessories or is poorly maintained, the vibration and/or noise emission may differ. This may significantly increase the exposure level over the total working period.

An estimation of the level of exposure to vibration and/or noise should also take into account the times when the tool is switched off or when it is running but not actually doing the

job. This may significantly reduce the exposure level over the total working period.

Identify additional safety measures to protect the operator from the effects of vibration and/or noise such as: maintain the tool and the accessories, keep the hands warm (relevant for vibration), organisation of work patterns.

EC-Declaration of Conformity

Machinery Directive and Outdoor Noise Directive



54V Mower DCMWP500, DCMWSP550

DEWALT declares that these products described under **Technical Data** are in compliance with:

2006/42/EC, EN 62841-1:2015 + A11:2022; EN IEC 62841-4-3:2021 + A11:2021.

These products also comply with Directive 2014/30/EU and 2011/65/EU.

2000/14/EC, Lawnmower, $50 < L \leq 70$, Annex VI DEKRA Testing and Certification GmbH, Handwerkstraße 15, 70565 Stuttgart, Germany

Notified Body ID No.: 0158

Level of acoustic power according to 2000/14/EC

(Article 12, Annex VI, $50 < L \leq 70$ cm):

L_{WA} (measured sound power) 84 dB(A)

L_{WA} (guaranteed sound power) 88 dB(A)

For more information, please contact DEWALT at the following address or refer to the back of the manual.

The undersigned is responsible for compilation of the technical file and makes this declaration on behalf of DEWALT.

Markus Rompel
Vice-President Engineering, PTE-Europe
DEWALT, Richard-Klinger-Straße 11,
65510, Idstein, Germany
02.08.2023



WARNING: To reduce the risk of injury, read the instruction manual.

Definitions: Safety Guidelines

The definitions below describe the level of severity for each signal word. Please read the manual and pay attention to these symbols.





DANGER: Indicates an imminently hazardous situation which, if not avoided, **will** result in **death or serious injury**.

Batteries				Chargers/Charge Times (Minutes)**									
Cat #	V _{oc}	Ah	Weight (kg)	DCB104	DCB107	DCB112/ DCB1102	DCB113	DCB115/ DCB1104	DCB116	DCB117	DCB118	DCB132	
DCB546	18/54	6.0/2.0	1.08	60	270	170	140	90	80	40	60	90	
DCB547/G	18/54	9.0/3.0	1.46	75*	420	270	220	135*	110*	60	75*	135*	
DCB548	18/54	12.0/4.0	1.46	120	540	350	300	180	150	80	120	180	
DCB549	18/54	15.0/5.0	2.12	125	730	450	380	230	170	90	125	230	


*Date code 201811475B or later

**Battery charge times matrix provided for guidance only; charge times will vary depending on temperature and condition of batteries.

 **WARNING:** Indicates a potentially hazardous situation which, if not avoided, **could** result in **death or serious injury**.

 **CAUTION:** Indicates a potentially hazardous situation which, if not avoided, **may** result in **minor or moderate injury**.

NOTICE: Indicates a practice **not related to personal injury** which, if not avoided, **may** result in **property damage**.

 Denotes risk of electric shock.

 Denotes risk of fire.

GENERAL POWER TOOL SAFETY WARNINGS

 **WARNING:** Read all safety warnings, instructions, illustrations and specifications provided with this power tool. Failure to follow all instructions listed below may result in electric shock, fire and/or serious injury.

SAVE ALL WARNINGS AND INSTRUCTIONS FOR FUTURE REFERENCE

The term "power tool" in the warnings refers to your mains-operated (corded) power tool or battery-operated (cordless) power tool.

1) Work Area Safety

- Keep work area clean and well lit.** Cluttered or dark areas invite accidents.
- Do not operate power tools in explosive atmospheres, such as in the presence of flammable liquids, gases or dust.** Power tools create sparks which may ignite the dust or fumes.
- Keep children and bystanders away while operating a power tool.** Distractions can cause you to lose control.

2) Electrical Safety

- Power tool plugs must match the outlet. Never modify the plug in any way. Do not use any adapter plugs with earthed (grounded) power tools.** Unmodified plugs and matching outlets will reduce risk of electric shock.
- Avoid body contact with earthed or grounded surfaces, such as pipes, radiators, ranges and refrigerators.** There is an increased risk of electric shock if your body is earthed or grounded.

- Do not expose power tools to rain or wet conditions.** Water entering a power tool will increase the risk of electric shock.
- Do not abuse the cord. Never use the cord for carrying, pulling or unplugging the power tool. Keep cord away from heat, oil, sharp edges or moving parts.** Damaged or entangled cords increase the risk of electric shock.
- When operating a power tool outdoors, use an extension cord suitable for outdoor use.** Use of a cord suitable for outdoor use reduces the risk of electric shock.
- If operating a power tool in a damp location is unavoidable, use a residual current device (RCD) protected supply.** Use of an RCD reduces the risk of electric shock.

3) Personal Safety

- Stay alert, watch what you are doing and use common sense when operating a power tool. Do not use a power tool while you are tired or under the influence of drugs, alcohol or medication.** A moment of inattention while operating power tools may result in serious personal injury.
- Use personal protective equipment. Always wear eye protection.** Protective equipment such as a dust mask, non-skid safety shoes, hard hat or hearing protection used for appropriate conditions will reduce personal injuries.
- Prevent unintentional starting. Ensure the switch is in the off position before connecting to power source and/or battery pack, picking up or carrying the tool.** Carrying power tools with your finger on the switch or energising power tools that have the switch on invites accidents.
- Remove any adjusting key or wrench before turning the power tool on.** A wrench or a key left attached to a rotating part of the power tool may result in personal injury.
- Do not overreach. Keep proper footing and balance at all times.** This enables better control of the power tool in unexpected situations.
- Dress properly. Do not wear loose clothing or jewellery. Keep your hair and clothing away from moving parts.** Loose clothes, jewellery or long hair can be caught in moving parts.
- If devices are provided for the connection of dust extraction and collection facilities, ensure these are**

connected and properly used. Use of dust collection can reduce dust-related hazards.

- h) **Do not let familiarity gained from frequent use of tools allow you to become complacent and ignore tool safety principles.** A careless action can cause severe injury within a fraction of a second.

4) Power Tool Use and Care

- a) **Do not force the power tool. Use the correct power tool for your application.** The correct power tool will do the job better and safer at the rate for which it was designed.
- b) **Do not use the power tool if the switch does not turn it on and off.** Any power tool that cannot be controlled with the switch is dangerous and must be repaired.
- c) **Disconnect the plug from the power source and/or remove the battery pack, if detachable, from the power tool before making any adjustments, changing accessories, or storing power tools.** Such preventive safety measures reduce the risk of starting the power tool accidentally.
- d) **Store idle power tools out of the reach of children and do not allow persons unfamiliar with the power tool or these instructions to operate the power tool.** Power tools are dangerous in the hands of untrained users.
- e) **Maintain power tools and accessories. Check for misalignment or binding of moving parts, breakage of parts and any other condition that may affect the power tool's operation. If damaged, have the power tool repaired before use.** Many accidents are caused by poorly maintained power tools.
- f) **Keep cutting tools sharp and clean.** Properly maintained cutting tools with sharp cutting edges are less likely to bind and are easier to control.
- g) **Use the power tool, accessories and tool bits, etc. in accordance with these instructions, taking into account the working conditions and the work to be performed.** Use of the power tool for operations different from those intended could result in a hazardous situation.
- h) **Keep handles and grasping surfaces dry, clean and free from oil and grease.** Slippery handles and grasping surfaces do not allow for safe handling and control of the tool in unexpected situations.

5) Battery Tool Use and Care

- a) **Recharge only with the charger specified by the manufacturer.** A charger that is suitable for one type of battery pack may create a risk of fire when used with another battery pack.
- b) **Use power tools only with specifically designated battery packs.** Use of any other battery packs may create a risk of injury and fire.
- c) **When battery pack is not in use, keep it away from other metal objects, like paper clips, coins, keys, nails, screws or other small metal objects, that can make a connection from one terminal to another.** Shorting the battery terminals together may cause burns or a fire.

- d) **Under abusive conditions, liquid may be ejected from the battery; avoid contact. If contact accidentally occurs, flush with water. If liquid contacts eyes, additionally seek medical help.** Liquid ejected from the battery may cause irritation or burns.
- e) **Do not use a battery pack or tool that is damaged or modified.** Damaged or modified batteries may exhibit unpredictable behaviour resulting in fire, explosion or risk of injury.
- f) **Do not expose a battery pack or tool to fire or excessive temperature.** Exposure to fire or temperature above 130 °C may cause explosion.
- g) **Follow all charging instructions and do not charge the battery pack or tool outside the temperature range specified in the instructions.** Charging improperly or at temperatures outside the specified range may damage the battery and increase the risk of fire.

6) Service

- a) **Have your power tool serviced by a qualified repair person using only identical replacement parts.** This will ensure that the safety of the power tool is maintained.
- b) **Never service damaged battery packs.** Service of battery packs should only be performed by the manufacturer or authorised service providers.

Lawnmower Safety Warnings

- Do not operate the lawnmower in rain or wet conditions.** This may increase the risk of electric shock.
- Do not use the lawnmower in bad weather conditions, especially when there is a risk of lightning.** This decreases the risk of being struck by lightning.
- Thoroughly inspect the area for wildlife where the lawnmower is to be used.** Wildlife may be injured by the lawnmower during operation.
- Thoroughly inspect the area where the lawnmower is to be used and remove all stones, sticks, wires, bones, and other foreign objects.** Thrown objects can cause personal injury.
- Before using the lawnmower, always visually inspect to see that the blade and the blade assembly are not worn or damaged.** Worn or damaged parts increase the risk of injury.
- Check the grass catcher frequently for wear or deterioration.** A worn or damaged grass catcher may increase the risk of personal injury.
- Keep guards in place. Guards must be in working order and be properly mounted.** A guard that is loose, damaged, or is not functioning correctly may result in personal injury.
- Keep all cooling air inlets clear of debris.** Blocked air inlets and debris may result in overheating or risk of fire.
- While operating the lawnmower, always wear non-slip and protective footwear. Do not operate the lawnmower when barefoot or wearing open sandals.** This reduces the chance of injury to the feet from contact with the moving blade.
- While operating the lawnmower, always wear long trousers.** Exposed skin increases the likelihood of injury from thrown objects.

11. **Do not operate the lawnmower in wet grass. Walk, never run.** This reduces the risk of slipping and falling which may result in personal injury.
12. **Do not operate the lawnmower on excessively steep slopes.** This reduces the risk of loss of control, slipping and falling which may result in personal injury.
13. **When working on slopes, always be sure of your footing, always work across the face of slopes, never up or down and exercise extreme caution when changing direction.** This reduces the risk of loss of control, slipping and falling which may result in personal injury.
14. **Use extreme caution when reversing or pulling the lawnmower towards you. Always be aware of your surroundings.** This reduces the risk of tripping during operation.
15. **Do not touch blades and other hazardous moving parts while they are still in motion.** This reduces the risk of injury from moving parts.
16. **When clearing jammed material or cleaning the lawnmower, make sure all power switches are off and the battery pack is disconnected.** Unexpected operation of the lawnmower may result in serious personal injury.
17. **Stop the cutting means if the machine has to be tilted for transportation when crossing surfaces other than grass and when transporting the machine to and from the area to be used.**
18. **Do not tilt the machine when switching on the motor.**
19. **Stop the machine, and remove the safety key and detachable battery pack(s), make sure that all moving parts have come to a complete stop.**
 - After striking a foreign object, and to inspect the machine for damage and make repairs before restarting and operating the machine.
 - If the machine starts to vibrate abnormally, and then to immediately inspect for damage, replace or repair any damaged parts and to check for and tighten any loose parts.
20. **Empty the grass catcher before storage.**

Safety Instructions



WARNING: When using cordless appliances, basic safety precautions, including the following, should always be followed to reduce the risk of fire, electric shock, personal injury and material damage.



WARNING: When using the machine the safety rules must be followed. For your own safety and bystanders please read these instructions before operating the machine. Please keep the instructions safe for later use.

- Read all of this manual carefully before operating the appliance.
- The intended use is described in this manual. The use of any accessory or attachment or the performance of any operation with this appliance other than those recommended in this instruction manual may present a risk of personal injury.
- Retain this manual for future reference.

SAVE ALL WARNINGS AND INSTRUCTIONS FOR FUTURE REFERENCE

Using Your Appliance

Always take care when using the appliance.

- This appliance is not intended for use by young or infirm persons without supervision.
- The appliance is not to be used as a toy.
- Do not allow children or animals to come near the work area or touch the appliance.
- Close supervision is necessary when the appliance is used near children.
- Use in a dry location only. Do not allow the appliance to become wet.
- Do not immerse the appliance in water.
- Do not open body casing. There are no user serviceable parts inside.
- Do not operate the appliance in explosive atmospheres, such as in the presence of flammable liquids, gases or dust.
- Before using, always visually inspect to see that the blades, blade bolts and cutter assembly are not worn or damaged. Replace worn or damaged blades and bolts in sets to preserve balance.
- Never operate the machine while people, especially children, or pets are nearby.
- Keep in mind that the operator or user is responsible for accidents or hazards occurring to other people or their property.

Before Use

- While operating the machine always wear substantial footwear and long trousers. Do not operate the machine when barefoot or wearing open sandals. Avoid wearing clothing that is loose fitting or that has hanging cords or ties.
- Thoroughly inspect the area where the machine is to be used and remove all objects which can be thrown by the machine.
- Before using, always visually inspect to see that the blade, blade bolt and the blade assembly are not worn or damaged. Replace worn or damaged components in sets to preserve balance. Replace damaged or unreadable labels.

After Use

- When not in use, the appliance should be stored in a dry, well ventilated place out of the reach of children.
- Children should not have access to stored appliances.
- When the appliance is stored or transported in a vehicle it should be placed in the boot or restrained to prevent movement following sudden changes in speed or direction.

Inspection and Repairs

- Before use, check the appliance for damaged or defective parts. Check for breakage of parts, damage to switches and any other conditions that may affect its operation.
- Do not use the appliance if any part is damaged or defective.
- Have any damaged or defective parts repaired or replaced by an authorised repair agent.
- Never attempt to remove or replace any parts other than those specified in this manual.

- *Be careful during adjustment of the mower to prevent entrapment of the fingers between moving blades/parts and fixed parts of the machine.*
- *When servicing the blades be aware that, even though the power source is switched off, the blades can still be moved.*

Additional Safety Instructions for Lawn Mowers

- *Do not transport the machine while the power source is running.*
- *Firmly grip handle with both hands when operating the lawn mower.*
- *If at any time it is felt necessary to tilt the lawn mower, make sure that both hands remain in the operating position while the lawn mower is tilted. Keep both hands in the operating position until the lawn mower is returned to rest correctly on the ground.*
- *Never wear radio or music headphones while operating the lawn mower.*
- *Never attempt to make a wheel height adjustment while the motor is running or while the safety key is in the switch housing.*
- *If the lawn mower stalls, release bail bar to turn mower off, wait for blade to stop, before attempting to unplug the chute or remove anything from under the deck.*
- *Keep hands and feet away from cutting area.*
- *Keep blades sharp. Always use protective gloves when handling the lawn mower blade.*
- *If you are using the grass collector, check it frequently for wear and deterioration. If excessively worn, replace with a new grass collector for your safety.*
- *Use extreme caution when reversing or pulling the lawn mower towards you.*
- *Do not put hands or feet near or under the lawn mower. Keep clear of the discharger opening at all times.*
- *Clear the area where the lawn mower is to be used of objects such as rocks, sticks, wire, toys, bones etc., which could be thrown by the blade. Objects struck by the blade can cause severe injury to persons. Stay behind the handle when the motor is running.*
- *Do not operate the lawn mower barefooted or while wearing sandals. Always wear substantial footwear.*
- *Do not pull lawn mower backward unless absolutely necessary. Always look down and behind before and while moving backward.*
- *Never direct discharged material toward anyone. Avoid discharging material against a wall or obstruction. Material may ricochet back toward the operator. Release the bail bar to turn the lawn mower off and stop the blade when crossing gravel surfaces.*
- *Do not operate the lawn mower without the entire grass collector, discharge guard, rear guard, or other safety protective devices in place and working. Periodically check all guards and safety protective devices to ensure they are in good working order and will operate properly and perform their intended function. Replace a damaged guard or other safety device before further use.*
- *Never leave a running lawn mower unattended.*
- *Always release the bail bar to stop the motor and wait until the blade comes to a complete stop before cleaning the lawn mower, removing the grass bag, unclogging the discharge guard, when leaving the lawn mower, or before making any adjustments, repairs or inspections.*
- *Operate lawn mower only in daylight or good artificial light when objects in the path of the blade are clearly visible from the operating area of the lawn mower.*
- *Do not operate the lawn mower while under the influence of alcohol or drugs, or when you are tired or ill. Always stay alert, watch what you are doing, and use common sense.*
- *Avoid dangerous environments. Never operate the lawn mower in damp or wet grass, never use lawn mower in the rain. Always be sure of your footing, walk, never run.*
- *If the lawn mower should start to vibrate abnormally, release the bail bar, wait for the blade to stop and then check for the cause immediately. Vibration is generally a warning of trouble, see the **Troubleshooting Guide** for advice in the case of abnormal vibration.*
- *Always wear proper eye and respiratory protection when operating the lawn mower.*
- *The use of any accessory or attachment not recommended for use with this lawn mower could be hazardous. Only use accessories approved by DEWALT.*
- *Never overreach while operating the lawn mower. Always be sure to keep proper footing and balance at all times while operating the lawn mower.*
- *Mow across the face of slopes, never up and down. Exercise extreme caution when changing direction on slopes.*
- *Watch for holes, ruts, bumps, rocks or other hidden objects. Uneven terrain could cause a slip and fall accident. Tall grass can hide obstacles.*
- *Do not mow on wet grass or excessively steep slopes. Poor footing could cause a slip and fall accident.*
- *Do not mow near drop-offs, ditches, or embankments. You could lose your footing or balance.*
- *Always allow the mower to cool down before storing.*
- *Pull the plug from the socket and pull the battery pack from the machine. Make sure that all moving parts have come to a complete stop:*
 - *Whenever you leave the machine;*
 - *Before clearing a blockage;*
 - *Before checking, cleaning or working on the appliance.*

Safety of Others

- *This appliance is not intended for use by persons (including children) with reduced physical, sensory or mental capabilities, or lack of experience and knowledge, unless they have been given supervision or instruction concerning use of the appliance by a person responsible for their safety.*
- *Children must be supervised to ensure that they do not play with the appliance.*

- After striking a foreign object, inspect the appliance for damage and make repairs as necessary.

Chargers

DEWALT chargers require no adjustment and are designed to be as easy as possible to operate.

Electrical Safety

The electric motor has been designed for one voltage only. Always check that the battery pack voltage corresponds to the voltage on the rating plate. Also make sure that the voltage of your charger corresponds to that of your mains.



Your DEWALT charger is double insulated in accordance with EN60335; therefore, no earth wire is required.

If the supply cord is damaged, it must be replaced only by DEWALT or an authorised service organisation.

Mains Plug Replacement (U.K. & Ireland Only)

If a new mains plug needs to be fitted:

- Safely dispose of the old plug.
- Connect the brown lead to the live terminal in the plug.
- Connect the blue lead to the neutral terminal.



WARNING: No connection is to be made to the earth terminal.

Follow the fitting instructions supplied with good quality plugs. Recommended fuse: 3 A.

Using an Extension Cable

An extension cord should not be used unless absolutely necessary. Use an approved extension cable suitable for the power input of your charger (refer to **Technical Data**). The minimum conductor size is 1 mm²; the maximum length is 30 m. When using a cable reel, always unwind the cable completely.

Important Safety Instructions for All Battery Chargers

SAVE THESE INSTRUCTIONS: This manual contains important safety and operating instructions for compatible battery chargers (refer to **Technical Data**). Before using charger, read all instructions and cautionary markings on charger, battery pack, and product using battery pack.



WARNING: Shock hazard. Do not allow any liquid to get inside charger. Electric shock may result.



WARNING: We recommend the use of a residual current device with a residual current rating of 30 mA or less.



CAUTION: Burn hazard. To reduce the risk of injury, charge only DEWALT rechargeable batteries. Other types of batteries may burst, causing personal injury and damage.



CAUTION: Children should be supervised to ensure that they do not play with the appliance.

NOTICE: Under certain conditions, with the charger plugged into the power supply, the exposed charging contacts inside the charger can be shorted by foreign material. Foreign materials of a conductive nature such as, but not limited to, steel wool, aluminum foil or any buildup

of metallic particles should be kept away from charger cavities. Always unplug the charger from the power supply when there is no battery pack in the cavity. Unplug charger before attempting to clean.

- **DO NOT attempt to charge the battery pack with any chargers other than the ones in this manual.** The charger and battery pack are specifically designed to work together.
- **These chargers are not intended for any uses other than charging DEWALT rechargeable batteries.** Any other uses may result in risk of fire, electric shock or electrocution.
- **Do not expose charger to rain or snow.**
- **Pull by plug rather than cord when disconnecting charger.** This will reduce risk of damage to electric plug and cord.
- **Make sure that cord is located so that it will not be stepped on, tripped over, or otherwise subjected to damage or stress.**
- **Do not use an extension cord unless it is absolutely necessary.** Use of improper extension cord could result in risk of fire, electric shock, or electrocution.
- **Do not place any object on top of charger or place the charger on a soft surface that might block the ventilation slots and result in excessive internal heat.** Place the charger in a position away from any heat source. The charger is ventilated through slots in the top and the bottom of the housing.
- **Do not operate charger with damaged cord or plug—** have them replaced immediately.
- **Do not operate charger if it has received a sharp blow, been dropped, or otherwise damaged in any way.** Take it to an authorised service centre.
- **Do not disassemble charger; take it to an authorised service centre when service or repair is required.** Incorrect reassembly may result in a risk of electric shock, electrocution or fire.
- **In case of damaged power supply cord, the supply cord must be replaced immediately by the manufacturer, its service agent or similar qualified person to prevent any hazard.**
- **Disconnect the charger from the outlet before attempting any cleaning.** This will reduce the risk of electric shock. Removing the battery pack will not reduce this risk.
- **NEVER attempt to connect two chargers together.**
- **The charger is designed to operate on standard 230V household electrical power. Do not attempt to use it on any other voltage.** This does not apply to the vehicular charger.







Charging a Battery (Fig. B)

1. Plug the charger into an appropriate outlet before inserting battery pack.
2. Insert the battery pack **15** into the charger, making sure the battery pack is fully seated in the charger. The red (charging) light will blink repeatedly, indicating that the charging process has started.
3. The completion of charge will be indicated by the red light remaining ON continuously. The battery pack is fully charged and may be used at this time or left in the charger. To remove the battery pack from the charger, push the battery release button **16** on the battery pack.

NOTE: To ensure maximum performance and life of lithium-ion battery packs, charge the battery pack fully before first use.

Charger Operation

Refer to the indicators below for the charge status of the battery pack.

Charge Indicators	
	Charging ----- 
	Fully Charged ————— 
	Hot/Cold Pack Delay* ----- ————— 

*The red light will continue to blink, but a yellow indicator light will be illuminated during this operation. Once the battery pack has reached an appropriate temperature, the yellow light will turn off and the charger will resume the charging procedure.

The compatible charger(s) will not charge a faulty battery pack. The charger will indicate faulty battery by refusing to light.

NOTE: This could also mean a problem with a charger.

If the charger indicates a problem, take the charger and battery pack to be tested at an authorised service centre.

Hot/Cold Pack Delay

When the charger detects a battery pack that is too hot or too cold, it automatically starts a Hot/Cold Pack Delay, suspending charging until the battery pack has reached an appropriate temperature. The charger then automatically switches to the pack charging mode. This feature ensures maximum battery pack life.

A cold battery pack will charge at a slower rate than a warm battery pack. The battery pack will charge at that slower rate throughout the entire charging cycle and will not return to maximum charge rate even if the battery pack warms.

The DCB118 charger is equipped with an internal fan designed to cool the battery pack. The fan will turn on automatically when the battery pack needs to be cooled. Never operate the charger if the fan does not operate properly or if ventilation slots are blocked. Do not permit foreign objects to enter the interior of the charger.

Electronic Protection System

XR Li-Ion tools are designed with an Electronic Protection System that will protect the battery pack against overloading, overheating or deep discharge.

The tool will automatically turn off if the Electronic Protection System engages. If this occurs, place the lithium-ion battery pack in the charger until it is fully charged.

Wall Mounting

These chargers are designed to be wall mountable or to sit upright on a table or work surface. If wall mounting, locate the charger within reach of an electrical outlet, and away from a corner or other obstructions which may impede air flow. Use the back of the charger as a template for the location of the mounting screws on the wall. Mount the charger securely using drywall screws (purchased separately) at least 25.4 mm long with a screw head diameter of 7–9 mm, screwed into wood to an optimal depth leaving approximately 5.5 mm of the screw exposed. Align the slots on the back of the charger with the exposed screws and fully engage them in the slots.

Charger Cleaning Instructions



WARNING: Shock hazard. Disconnect the charger from the AC outlet before cleaning. Dirt and grease may be removed from the exterior of the charger using a cloth or soft non-metallic brush. Do not use water or any cleaning solutions. Never let any liquid get inside the tool; never immerse any part of the tool into a liquid.

Battery Packs

Important Safety Instructions for All Battery Packs

When ordering replacement battery packs, be sure to include catalogue number and voltage.

The battery pack is not fully charged out of the carton. Before using the battery pack and charger, read the safety instructions below. Then follow charging procedures outlined.

READ ALL INSTRUCTIONS

- **Do not charge or use battery in explosive atmospheres, such as in the presence of flammable liquids, gases or dust.** Inserting or removing the battery from the charger may ignite the dust or fumes.
- **Never force battery pack into charger. Do not modify battery pack in any way to fit into a non-compatible charger as battery pack may rupture, causing serious personal injury.**
- Charge the battery packs only in DEWALT chargers.
- **DO NOT splash or immerse in water or other liquids.**
- **Do not store or charge the battery pack in locations where the temperature may fall below 4 °C (39.2 °F) (such as outside sheds or metal buildings in winter), or reach or exceed 40 °C (104 °F) (such as outside sheds or metal buildings in summer).**
- **Do not incinerate the battery pack even if it is severely damaged or is completely worn out.** The battery pack can explode in a fire. Toxic fumes and materials are created when lithium-ion battery packs are burned.
- **If battery contents come into contact with the skin, immediately wash area with mild soap and water.** If battery liquid gets into the eye, rinse water over the open eye for 15 minutes or until irritation ceases. If medical attention is needed, the battery electrolyte is composed of a mixture of liquid organic carbonates and lithium salts.
- **Contents of opened battery cells may cause respiratory irritation.** Provide fresh air. If symptoms persist, seek medical attention.



WARNING: Burn hazard. Battery liquid may be flammable if exposed to spark or flame.



WARNING: Never attempt to open the battery pack for any reason. If battery pack case is cracked or damaged, do not insert into charger. Do not crush, drop or damage battery pack. Do not use a battery pack or charger that has received a sharp blow, been dropped, run over or damaged in any way (i.e., pierced with a nail, hit with a hammer, stepped on). Electric shock or electrocution may result. Damaged battery packs should be returned to service centre for recycling.



WARNING: Fire hazard. Do not store or carry the battery pack so that metal objects can contact exposed battery terminals. For example, do not place the battery pack in aprons, pockets, tool boxes, product kit boxes, drawers, etc., with loose nails, screws, keys, etc.



CAUTION: When not in use, place tool on its side on a stable surface where it will not cause a tripping or falling hazard. Some tools with large battery packs will stand upright on the battery pack but may be easily knocked over.

Transportation



WARNING: Fire hazard. Transporting batteries can possibly cause fire if the battery terminals inadvertently come into contact with conductive materials. When transporting batteries, make sure that the battery terminals are protected and well-insulated from materials that could contact them and cause a short circuit. **NOTE:** Lithium-ion batteries should not be put in checked baggage.

DEWALT batteries comply with all applicable shipping regulations as prescribed by industry and legal standards, which include UN Recommendations on the Transport of Dangerous Goods; International Air Transport Association (IATA) Dangerous Goods Regulations; International Maritime Dangerous Goods (IMDG) Regulations; and the European Agreement Concerning The International Carriage of Dangerous Goods by Road (ADR). Lithium-ion cells and batteries have been tested to section 38.3 of the UN Recommendations on the Transport of Dangerous Goods Manual of Tests and Criteria.

In most instances, shipping a DEWALT battery pack will be exempted from being classified as a fully regulated Class 9 Hazardous Material. In general, only shipments containing a lithium-ion battery with an energy rating greater than 100 Watt Hours (Wh) will require being shipped as fully regulated Class 9. All lithium-ion batteries have the Wh rating marked on the pack. Furthermore, due to regulation complexities, DEWALT does not recommend air shipping lithium-ion battery packs alone regardless of Wh rating. Shipments of tools with batteries (combo kits) can be air shipped as exempted if the Wh rating of the battery pack is no greater than 100 Wh.

Regardless of whether a shipment is considered exempted or fully regulated, it is the shipper's responsibility to consult the latest regulations for packaging, labeling/marketing and documentation requirements.

The information provided in this section of the manual is provided in good faith and believed to be accurate at the time the document was created. However, no warranty, expressed or implied, is given. It is the buyer's responsibility to ensure that its activities comply with the applicable regulations.

Storage Recommendations

1. The best storage place is one that is cool and dry away from direct sunlight and excessive heat or cold. For optimum battery performance and life, store battery packs at room temperature when not in use.

2. For long storage, it is recommended to store a fully charged battery pack in a cool, dry place out of the charger for optimal results.

NOTE: Battery packs should not be stored completely depleted of charge. The battery pack will need to be recharged before use.

Labels on Charger and Battery Pack

In addition to the pictographs used in this manual, the labels on the charger and the battery pack may show the following pictographs:



Read instruction manual before use.



Refer to **Technical Data** for charging time.



Do not probe with conductive objects.



Do not charge damaged battery packs.



Do not expose to water.



Have defective cords replaced immediately.



Charge only between 4 °C and 40 °C.



Only for indoor use.



Discard the battery pack with due care for the environment.



Charge battery packs only with designated DEWALT chargers. Charging battery packs other than the designated DEWALT batteries with a DEWALT charger may make them burst or lead to other dangerous situations.



Do not incinerate the battery pack.

Battery Type

These battery packs may be used: DCB546, DCB547, DCB547G, DCB548, DCB549. Refer to **Technical Data** for more information.

Package Contents

The package contains:

- 1 Lawn mower
- 1 Grass Collection Bag
- 1 Side Discharge Chute
- 1 Safety Key
- 1 Instruction manual

NOTE: Battery packs, chargers and kitboxes are not included with N models. Battery packs and chargers are not included with NT models. B models include Bluetooth® battery packs.

NOTE: The Bluetooth® word mark and logos are registered trademarks owned by the Bluetooth®, SIG, Inc. and any use of such marks by DEWALT is under license. Other trademarks and trade names are those of their respective owners.

- Check for damage to the tool, parts or accessories which may have occurred during transport.
- Take the time to thoroughly read and understand this manual prior to operation.

Markings on Tool

The following pictograms are shown on the tool:



Read instruction manual before use.



Directive 2000/14/EC guaranteed sound power.



Do not expose to rain.



Do not spray with water.



Always wear proper eye protection.



Always wear proper ear protection.



Beware of sharp blades.



To avoid the risk of serious injury do not mow slopes at an angle of more than 15°/25%.



Do not mow down slopes.



Do not mow up slopes.



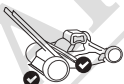
Mow across the face of slopes less than 15°/25%.



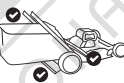
Always look down and behind before and while moving backward.



Do not operate machine without the rear flap or rear side discharge chute in place.



Operate machine with rear flap and rear side discharge chute in place.



Operate machine with rear flap and grass collection bag in place.



Always inspect mowing area before mowing and remove objects that could be thrown by blade.



Rotating blades can cause serious injury. Keep hands and feet clear of mower deck and discharge opening at all times. Always be sure blade has stopped. Release bail handle to turn mower off and wait for the blade to stop rotating (approximately 3 seconds) and remove the safety key and battery pack before removing or replacing grass catcher, cleaning, servicing, transporting or lifting the mower.



Turn mower off and wait for the blade to stop rotating (approximately 3 seconds) and remove the safety key and battery pack before cleaning, servicing, transporting or lifting the mower.



Objects struck by mower blade can cause serious injury. Stay behind the handle when the motor is running. Always ensure persons and pets are a safe distance from the mower while operating. Release bail handle to turn mower off and wait for the blade to stop rotating (approximately 3 seconds) before crossing walk, roads, patio and gravel drives.



Keep children and bystanders away while operating mower.

Date Code Position (Fig. E)

The production date code **33** consists of a 4-digit year followed by a 2-digit week and is extended by a 2-digit factory code.

Description (Fig. A)

WARNING: Never modify the power tool or any part of it. Damage or personal injury could result.

- 1 Single touch handle
- 2 Handle support
- 3 Handle unlock button
- 4 Main handle
- 5 Handle release button
- 6 Safety key
- 7 Switch box
- 8 Bail handle
- 9 Self-drive lever (DCMWSP550 only)
- 10 Speed adjustment dial (DCMWSP550 only)
- 11 Power button
- 12 Control panel
- 13 Overheat indicator
- 14 Cutting load meter indicator
- 15 Handle folding indicator

- 16 Blade sharpening indicator
- 17 Blade reset button
- 18 State of charge indicator
- 19 Battery port cover
- 20 Cut height adjustment lever
- 21 Rear door cover
- 22 Grass collection bag
- 23 Grass collection bag handle
- 24 Mulching plug
- 25 Rear side discharge chute

Intended Use

This lawn mower has been designed for professional lawn mowing applications.

DO NOT use under wet conditions or in the presence of flammable liquids or gases.

This lawn mower is a professional lawn care appliance.

DO NOT let children come into contact with the tool.

Supervision is required when inexperienced operators use this tool.

- **Young children and the infirm.** This appliance is not intended for use by young children or infirm persons without supervision.
- This product is not intended for use by persons (including children) suffering from diminished physical, sensory or mental abilities; lack of experience, knowledge or skills unless they are supervised by a person responsible for their safety. Children should never be left alone with this product.

ASSEMBLY AND ADJUSTMENTS



DANGER: To reduce the risk of serious personal injury, turn unit off and remove the safety key and battery pack before making any adjustments or removing/installing attachments or accessories. An accidental start-up can cause injury.

Single Touch Handle Adjustments (Fig. D, E)

The mower is shipped in the storage position. You will need to adjust the single touch handle **1** to the operating position before continuing.

Raise the Single Touch Handle (Fig. D, E)

1. To unlock the single touch handle **1** from the storage position, squeeze the handle unlock button **3**.
NOTE: The handle unlock button **3** is located on the back of handle support **2**.
NOTE: The main handle **4** must pop out slightly from both sides of the single touch handle tubes before lifting the single touch handle **1** from the storage position as shown in Fig. D.
2. Raise the single touch handle **1** to the locked position. Listen for an audible click and ensure the single touch handle **1** is locked into position before proceeding.
3. Extend the main handle **4** outward until a set of audible clicks is heard. The single touch handle **1** is now in the operation position.

NOTE: Take care to not pinch, pull or otherwise stress the cord **28**.

Adjusting the Main Handle Height (Fig. F)

The main handle **4** extends to accommodate taller users.

1. To extend the main handle **4** to the lower height position, press the handle release button **5** and pull the main handle away from the handle support **2** until an audible click is heard, indicating that it is locked into the lower height position.

NOTE: The handle release button **5** is located on the bottom of handle support **2**.

2. To extend the main handle **4** to the upper height position, press the handle release button **5** and pull the main handle away from the handle support **2** until an audible click is heard, indicating that it is locked into the upper height position.

3. Ensure the main handle **4** locks into position before proceeding.

NOTE: When the battery pack **26** and safety key **6** are inserted and the bail handle **8** is pulled, the handle folding indicator **15** will illuminate if the single touch handle **1** is not locked into position.

4. To retract the main handle **4** to the lower height position, press the handle release button **5** and push the main handle **4** towards the handle support **2** until an **audible click is heard**, indicating that it is locked into the lower height position.

5. Ensure the main handle **4** locks into position before proceeding.

Storage Mode (Fig. G-L)

! DANGER: MAKE CERTAIN THE SAFETY KEY IS REMOVED TO PREVENT ACTUATION BEFORE REMOVING OR INSTALLING BATTERY.

! DANGER: Turn unit off and remove safety key and battery pack.

1. To retract the main handle **4**, press the handle release button **5** and push the main handle **4** towards the handle support **2** until two audible clicks are heard, indicating that both sides of the handles are locked into position. The main handle **4** must be fully seated against the handle support.

NOTE: The main handle **4** must fully engage the handle windows **29**. If they are not engaged as shown in Fig. G, press the main handle **4** towards the handle support **2** until two audible clicks are heard and both sides of handle windows **29** are closed as shown in Fig. H.

NOTE: Ensure the two storage latches **30** at the back of the single touch handle **1** tubes pop outward as shown in Fig. J before lowering the single touch handle **1** into the storage position.

2. Fold the single touch handle **1** towards the front wheels **32** into storage position. Listen for two audible clicks as the two storage latches **30** slide into the storage slots **31** as shown in Fig. K.
3. Ensure the single touch handle **1** is locked into storage position before proceeding.

4. The mower can be stored standing up, with the collection bag removed, or flat on its wheels as shown in Fig. L.

NOTE: Take care to not pinch, pull or otherwise stress the cord **28**.

Grass Collection Bag (Fig. M)

! DANGER: Turn unit off and remove safety key and battery pack.

1. Lift the rear door cover **21**, remove mulching plug **24**, and place the grass collection bag **22** onto the mower so the bag lugs **20** slide into the slots **39** on the inside plastic surfaces of the handle brackets. Then lower the rear door cover **21**.

NOTE: If installed, remove rear side discharge chute **25** and ensure the rear door cover **21** is fully up before installing grass collection bag **22**.

Mulching (Fig. N)

! DANGER: Turn unit off and remove safety key and battery pack.

1. To operate mower in mulching mode, remove the grass collection bag **22** or rear side discharge chute **25**.
2. Lift the rear door cover **21** and slide the mulching plug **24** fully into the mower.
3. Ensure the pins **35** on the mulching plug **24** engage the slots **36** on the mower as shown in Fig. N.
4. Be sure rear door cover **21** is closed.

Side Discharge (Fig. O)

! DANGER: Turn unit off and remove safety key and battery pack.

1. To operate mower in side discharge mode, remove the grass collection bag **22**.
NOTE: If installed, remove the mulching plug **24**.
2. Lift the rear door cover **21** and hook rear side discharge chute **25** onto the mower and engage slot on left as shown in Fig. O.
3. Release the rear door cover **21** and ensure the rear side discharge chute **25** is secured in place before operating the mower.

Adjusting Mower Height (Fig. P)

The height of cut is adjusted by the cut height adjust lever **20**.

NOTE: If you are not sure which height to mow at, begin mowing with the cut height adjustment lever **20** positioned at the highest setting and adjust height down as needed for your application.

To Set the Height of Cut

1. Pull the cut height adjustment lever **20** out of the locking notch **37**.
2. Move the cut height adjustment lever **20** towards the rear of the mower to raise the height of cut.
3. Move the cut height adjustment lever **20** towards the front of the mower to lower the height of cut.
4. Push the cut height adjustment lever **20** into one of the locking notches **37**.

OPERATION

! **DANGER:** To reduce the risk of serious personal injury, turn unit off and remove the safety key and battery pack before making any adjustments or removing/installing attachments or accessories. An accidental start-up can cause injury.

Proper Hand Position (Fig. G)

! **WARNING:** To reduce the risk of serious personal injury, ALWAYS use proper hand position as shown.

! **WARNING:** To reduce the risk of serious personal injury, ALWAYS hold securely in anticipation of a sudden reaction.

DCMWP500

Proper hand position requires both hands grasping the main handle **4** and bail handle **8** as shown in Fig. Q.

DCMWSP550

Proper hand position requires both hands grasping the main handle **4** and bail handle **8** together when not in self-propel mode; and both hands grasping the main handle, bail handle, and self-drive lever **9** together when in self-propel mode as shown in Fig. R.

READ THIS INSTRUCTION MANUAL BEFORE OPERATING YOUR MOWER

Refer to Fig. A at the beginning of this manual for a complete list of components. Save this manual for future reference.

! **DANGER:** Sharp moving blade. Do not operate the mower in mulching mode if the rear door is not closed under spring tension as serious injury could result. Take your mower to the nearest service center for repair.

! **DANGER:** Do not operate mower unless handle is locked into position.

! **DANGER:** Sharp moving blade. Never operate the mower in bagging mode unless the bag lugs on the grass collection bag are seated properly on the mower and the rear door rests firmly against the top of the grass collection bag as serious injury could result.

! **DANGER:** Sharp moving blade. Do not operate the mower in side discharge mode unless the rear side discharge chute is properly installed with the rear door cover resting firmly against it.

! **WARNING:** Let the mower work at its own pace. Do not overload.

Installing and Removing the Battery Pack (Fig. S)

! **DANGER:** MAKE CERTAIN THE SAFETY KEY IS REMOVED TO PREVENT ACTUATION BEFORE REMOVING OR INSTALLING BATTERY.

The mower will turn off and the overheat indicator **13** will blink if the battery pack reaches the high temperature limit, which can be caused by cutting heavy grass. If this occurs, allow the

battery pack to cool and then resume cutting with the mower deck set higher.

NOTE: For best results, make sure the battery pack is fully charged.

To Install Battery Pack

1. Lift and hold the battery port cover **19** up to expose the battery port **38**.
2. Slide a battery pack **26** into the battery port **38** until an audible click is heard (Fig. S).
NOTE: Ensure the battery pack is fully seated and fully latched into position.
3. Close the battery port cover **19**. Ensure the battery port cover is fully closed before starting mower.

To Remove Battery Pack

1. Lift and hold the battery port cover **19** up to expose the battery port **38**.
2. Depress the battery release button **27** and pull the battery pack **26** out of battery port.

Fuel Gauge Battery Packs (Fig. C)

Some DEWALT battery packs include a fuel gauge, which consists of three green LED lights that indicate the level of charge remaining in the battery pack.

To actuate the fuel gauge, press and hold the fuel gauge button **62**. A combination of the three green LED lights will illuminate, designating the level of charge left. When the level of charge in the battery is below the usable limit, the fuel gauge will not illuminate and the battery will need to be recharged.

NOTE: The fuel gauge is only an indication of the charge left on the battery pack. It does not indicate tool functionality and is subject to variation based on product components, temperature and end-user application.

Safety Key (Fig. T)

! **DANGER:** Sharp moving blade. In order to prevent accidental start-up or unauthorized use of your cordless mower, a removable safety key has been incorporated into the design of your mower. The mower will be completely disabled when the safety key has been removed from the mower.

! **DANGER:** Rotating blades can cause serious injury. To prevent serious injury, turn unit off and remove safety key and battery pack when unattended, or when charging, cleaning, servicing, transporting, lifting, or storing mower.

1. Insert safety key **6** into the key slot **50**, located on the main handle **4**, until it is fully seated inside of the key slot **50** as shown in Fig. T.
2. The mower is now operational.

LED Dashboard Indicators (Fig. A, U)

The control panel **12** contains the state of charge indicator, load meter indicator, temperature indicator, handle folding indicator, blade sharpening indicator and reset button.

State of Charge Indicator (Fig. U)



The DCMWP500 and DCMWSP550 are equipped with a state of charge indicator. This will display the current level of charge in the battery during use. It does not indicate tool functionality and is subject to variation based on product components, temperature and end-user application.

- The state of charge indicator LEDs **18** will illuminate, indicating the percent of charge in the battery.
- When all 5 state of charge indicator LEDs **18** illuminate, the battery is fully charged.
- When one state of charge indicator LED **18** illuminates, charge is low and then it will flash when the battery is discharged. Remove the battery and charge it.

State of Charge Indicator LED Status

LEVEL OF CHARGE	CHARGE INDICATOR LED COLOR
100% - 85%	White
70% - 85%	White
50% - 70%	White
25% - 50%	White
≤25%	White
Low battery shutdown	White and blinking

Handle Folding Indicator (Fig. U)



The handle folding indicator **15** will illuminate when the single touch handle **1** is not engaged in the operating position when the safety key **6** and battery pack **26** are installed, and the bail handle **8** is pulled. To clear the handle folding indicator **15**, refer to the **Raise the Single Touch Handle** section in this manual.

Cutting Load Meter Indicator (Fig. U)



The cutting load meter indicator **14** will illuminate white, yellow or red when mowing.

- White indicates a low cutting load.
- Yellow indicates a medium cutting load.
- Red indicates a high cutting load. Runtime will be reduced if there is a prolonged high load while mowing.

Overheat Indicator (Fig. U)



- The overheat indicator **13** will illuminate amber and then blink when the battery or motor is overloaded during operation.
- The overheat indicator **13** will illuminate red and then blink when the module has reached a high temperature.
- To clear the overheat indicator **13**, allow the battery and mower to cool down. When cooled, restart the mower and resume cutting with the mower deck set higher.

Blade Sharpening Indicator (Fig. U)



The blade sharpening indicator **16** will illuminate when the blades need service. Sharpen or replace the blades, refer to the **Blade Sharpening** section in this manual.

Blade Reset Button (Fig. U)



NOTE: Ensure the battery pack **26** and safety key **6** are installed before attempting to reset.

To clear the blade sharpening indicator **16**, power on the LED dashboard **12** by pulling and holding the bail handle **8** to the main handle **4**. Press and hold the blade reset button **17** until the blade sharpening indicator **16** turns off.

Starting Mower (Fig. Q-T)



DANGER: Sharp moving blade. Never attempt to override the operation of the switch box and safety key system as serious injury could result.



WARNING: Ensure self drive is disengaged before starting the mower.

NOTE: Mower is operational when the battery pack **26** and safety key **6** are installed.


1. Lift and hold the battery port cover **19** up to expose the battery port **38**.

- Slide a battery pack **26** into the battery port **38** until an audible click is heard.
NOTE: Ensure the battery pack is fully seated and fully latched into position before starting mower.
- Close the battery port cover **19**. Ensure the battery port cover **19** is fully closed before starting the mower.
- Insert safety key **6** into the key slot **50**, located on the main handle **4**, until it is fully seated inside of the key slot **50** as shown in Fig. T.
- To power on the LED dashboard **12**, pull and hold the bail handle **8** to the main handle **4**.
- To start the mower blades, continue to hold the bail handle **8** to the main handle **4** and then press the power button **11**.
NOTE: Once the mower starts you can release the power button **11**, but you must continue to hold the bail handle **8** to the main handle **4** for the mower to stay running.
- To turn the mower OFF, release the bail handle **8**.

 **WARNING:** Never attempt to lock a switch or bail handle in the ON position.

NOTE: Once the bail handle **8** has returned to the original position it will activate the "Automatic Braking Mechanism." The motor is braked and the mower blades will stop rotating in three seconds or less. If mower blades rotate longer than three seconds, discontinue using mower and have it serviced.

DCMWSP550 ONLY Self-Drive System (Fig. V)

 **DANGER:** Sharp moving blade. Never attempt to override the operation of the switch box, the self-drive system or the safety key system as serious injury could result.

Your mower DCMWSP550 is equipped with a self-drive system which functions independently of the mower blades.

- To use self-drive, press the self-drive lever **9** towards the main handle **4**.
- To turn off self-drive, release the self-drive lever **9**.

NOTE: During cutting, at times it may be easier to maneuver around an object, such as a tree or plants, with the self-drive off. The mower can easily be used with the self drive system off.

DCMWSP550 ONLY Speed Adjustment Dial (Fig. W)

Your DCMWSP550 mower is equipped with a speed adjustment dial **10** located next to the control panel **12**. The numbers on the speed adjustment dial **10** indicate how quickly or slowly the self-drive system propels the mower. Choosing a lower number propels the mower at a slower pace. Choosing a higher number propels the mower at a faster pace.

- To increase the speed of the self-drive system, rotate the speed adjustment dial **10** towards the rabbit icon **40**.
NOTE: The speed adjustment dial **10** will display a higher number.


- To decrease the speed of the self-drive system, rotate the speed adjustment dial **10** towards the turtle icon **41**.


NOTE: The speed adjustment dial **10** will display a lower number.

Mower Overload

To prevent damage due to overload conditions, do not try to remove too much grass at one time. Slow down your cutting pace, or raise the cut height.

Mowing Tips (Fig. T)

 **WARNING:** ALWAYS INSPECT AREA WHERE MOWER IS TO BE USED AND REMOVE ALL STONES, STICKS, WIRE, BONES, AND OTHER DEBRIS WHICH MIGHT BE THROWN BY THE ROTATING BLADE.

 **WARNING:** Mow across the face of slopes, never up-and-down. Exercise extreme caution when changing direction on slopes. Do not mow excessively steep slopes (greater than 15 degrees). Always maintain good footing.

- Release bail handle **8** to turn mower "OFF" when crossing any gravel area (stones can be thrown by the blades).
- Set mower at highest cutting height when mowing in rough ground or in tall weeds. Removing too much grass at one time can cause the motor to be overloaded and to stop.
- If a grass collection bag **22** is used during the fast growing season, the grass may tend to clog up at the discharge opening. Release bail handle to turn mower off, remove the safety key **6** and battery pack **26**. Remove the grass collection bag **22** and shake the grass down to the back end of the bag. Also clean out any grass or debris which may be packed around the discharge opening. Reinstall the grass collection bag **22**.
- If mower should start to vibrate abnormally, release bail handle to turn mower off, remove the safety key and battery pack. Immediately check for cause. Vibration is a warning of trouble. Do not operate the mower until a service check has been made.
- For best cutting results, keep blades sharpened and balanced.
- Inspect and thoroughly clean mower after each use. A deck with caked grass will degrade performance.
- Always release the bail handle to turn mower off, remove safety key and battery pack when leaving it unattended even for a short period of time.

The following suggestions will help you to obtain optimum runtime from your cordless mower:

- Slow down your cutting pace in areas where the grass is especially long or thick.
- Avoid mowing when the grass is wet from rain or dew-soaked.
- Cut your lawn frequently, especially during high growth periods.

NOTE: It is recommended that your battery pack be recharged after each use to prolong the battery pack life. Frequent charging will not harm your battery pack, and will ensure that the battery pack is fully charged and ready for its next use.

NOTE: Storing the battery pack not fully charged will shorten its life.

MAINTENANCE

This product has been designed to operate over a long period of time with a minimum of maintenance. Continuous satisfactory operation depends upon proper care and regular cleaning.

! **DANGER: To reduce the risk of serious personal injury, turn unit off and remove the safety key and battery pack before making any adjustments or removing/installing attachments or accessories. An accidental start-up can cause injury.**

The charger and battery pack are not serviceable.

Optional Accessories

! **WARNING:** Since accessories, other than those offered by DEWALT, have not been tested with this product, use of such accessories with this tool could be hazardous. To reduce the risk of injury, only DEWALT-recommended accessories should be used with this product.

Consult your dealer for further information on the appropriate accessories.

Removing and Installing Blades (Fig. X–DD)

! **DANGER: RISK OF INJURY.** WHEN REASSEMBLING THE BLADE SYSTEM, ENSURE EACH PART IS REINSTALLED CORRECTLY, AS DESCRIBED BELOW. IMPROPER ASSEMBLY OF THE BLADES OR OTHER PARTS OF THE BLADE SYSTEM MAY CAUSE SERIOUS INJURY.

! **DANGER: To reduce the risk of serious personal injury, turn unit off, remove safety key and battery packs before making any adjustments or removing/installing attachments or accessories. An accidental start-up can cause injury.**

Replacement blades are available from your nearest authorized service center. This mower requires replacement blades: DT20902.

Cut a piece of 38 mm x 89 mm timber **42** (about 61 cm long) to keep blades from turning when removing the blade assembly bolt **43**.

! **WARNING:** Use gloves and proper eye protection. Turn the mower on its side. Be careful of sharp edges of blades.

1. Position the mower on its side, with two wheels flat on the ground.
2. Position the 38 mm x 89 mm timber **42** between the blade assembly **47** and outer lip of deck as shown in Fig. X to keep the blades from turning.
3. Unscrew and remove the blade assembly bolt **43** counterclockwise with a 14 mm (9/16") wrench **44** (not included) as shown in Fig. X, Y.

4. Remove the keyed spacer **45** and blade assembly **47** from the blade shaft **49**.
 5. Secure the blade assembly **47** in a vise **34** as shown in Fig. Z.
 6. Unscrew the four blade nuts **51** counterclockwise with a 14 mm (9/16") wrench **44** (not included) as shown in Fig. Z. First unscrew the two blade nuts **51** for blade **1 52** and remove blade **1**. Then unscrew the two blade nuts **51** for blade **2 53** and pull blade **2** from the blade hub **48**.
- NOTE:** The mower blades **52** and **53** have keyed mounting holes **55** permitting them to only be installed onto the blade hub **48** in the correct orientation.
7. Examine all pieces for damage and replace if necessary.
 8. Install sharpened or new blades onto the blade hub **48** as shown in Fig. AA, BB.
 9. Blade **2 53** is installed first, the bolt holes being aligned with the outer blade studs **56** and keyed mounting hole **55** on the blade hub **48** as shown in Fig. AA.

NOTE: Ensure the keyed mounting hole **55** engages the key **57** on the blade hub **48** as shown in Fig. AA. The key **57** should be proud of blade **2 53**.
 10. Blade **1 52** is installed second, the bolt holes being aligned with the inner blade studs **58** and keyed mounting hole **55** on the blade hub **48** as shown in Fig. BB.

NOTE: Ensure the keyed mounting hole **55** engages the key **57** on the blade hub **48** and sits flush as shown in Fig. BB.

NOTE: If blade **1 52** is not flush with the key **57** on the blade hub **48**, then the blades have been mounted in the incorrect order and must be reversed.
 11. Thread the four blade nuts **51** onto the blade studs **56** and **58** as shown in Fig. AA, BB. Hand tighten the four blade nuts **51**.

NOTE: When replacing sharpened or new blades on blade hub **48** make sure the bottom of the blade as marked **Grass Side** will be facing the ground when the mower is returned to its normal upright position.
 12. Secure the blade assembly **47** in a vise **34**. Tighten the four blade nuts **51** clockwise with a 14 mm (9/16") wrench **44** (not included). Torque the four blade nuts **51** to 18-27 Nm (13-20 ft-lbs).
 13. In this order, install the blade assembly **47** and keyed spacer **45** onto the blade shaft **49** as shown in Fig. CC.

NOTE: Align the keys **46** on the keyed spacer **45** with the key slots **60** on the blade shaft **49** as shown in Fig. CC.
 14. Install the blade assembly bolt **43** and hand tighten.
 15. Position the 38 mm x 89 mm timber **42** between the blade assembly **47** and outer lip of deck as shown in Fig. DD to keep the blades from turning.
 16. Fully tighten the blade assembly bolt **43** using a 14 mm (9/16") wrench **44** (not included). Torque the blade assembly bolt **43** to 50-68 Nm (37-50 ft-lbs).
 17. Return the mower to its normal upright position.

Blade Sharpening (Fig. EE)

KEEP BLADE SHARP FOR BEST MOWER PERFORMANCE. A DULL BLADE DOES NOT CUT GRASS CLEANLY.

! **WARNING:** Use gloves and proper eye protection while removing, sharpening, and installing blades. Ensure that safety key and battery pack are removed.

Sharpening the blades twice during a mowing season is usually sufficient under normal circumstances. Sand causes the blade to dull quickly. If your lawn has sandy soil, more frequent sharpening may be required. **REPLACE BENT OR DAMAGED BLADES IMMEDIATELY.**

When Sharpening a Blade:

- Make sure blade remains balanced.
- Sharpen blades at the original cutting angle.
- Sharpen cutting edges on both ends of blade, removing equal amounts of material from both ends.

To Sharpen Blade in a Vise (Fig. EE)

1. Be sure the bail handle is released, the blades have stopped and safety key and battery pack are removed before removing the blades.
2. Remove blades from mower. See instructions for **Removing and Installing Blades**.
3. Secure blade **52** or **53** in a vise **34**.
4. Wear proper eye protection and gloves and be careful not to cut yourself.
5. Carefully file the cutting edges of the blade with a fine tooth file **54** (not included) or sharpening stone (not included), maintaining the angle of the original cutting edge.
6. Check balance of blade. See instructions for **Blade Balancing**.
7. Replace blades on mower and tighten securely.

Blade Balancing (Fig. EE, FF)

Check balance of each blade **52** or **53** by placing the keyed mounting hole **55** over a nail or round screwdriver **59**, clamped horizontally in a vise **34**. If either end of a blade rotates downward, file along the sharp edge of that dropping end. Blade is properly balanced when neither end drops.



Cleaning (Fig. A)

! **WARNING:** Blow dirt and dust out of all air vents with clean, dry air at least once a week. To minimize the risk of eye injury, always wear approved eye protection and approved dust mask when performing this procedure.

! **WARNING:** Never use solvents or other harsh chemicals for cleaning the non-metallic parts of the tool. These chemicals may weaken the plastic materials used in these parts. Use a cloth dampened only with water and mild soap. Never let any liquid get inside the tool; never immerse any part of the tool into a liquid.

- Release bail handle **8** to turn mower off, let the blades come to a stop.
- Remove the battery pack and safety key.
- Clean out any clippings which may have accumulated on the underside of the deck. Do not spray with water or any other liquids.
- After several uses, check all exposed fasteners for tightness.

Corrosion (Fig. A)

Fertilizers and other garden chemicals contain agents which greatly accelerate the corrosion of metals. If you mow in areas where fertilizers or chemicals have been used, the mower should be cleaned immediately afterward as follows:

Release bail handle **8** to turn mower off and remove battery and safety key. Wipe all exposed parts with a damp cloth.

! **CAUTION:** Do not pour or spray water on the mower in an attempt to clean it. Do not store the tool on or adjacent to fertilizers or chemicals. Such storage can cause rapid corrosion.

Lubrication

Your power tool requires no additional lubrication.

Protecting the Environment



Products/batteries are recyclable, but if marked with the crossed-out bin, they must not be disposed of with normal household waste.

Run the batteries down completely and separate them, and separate any light sources from the product if possible. It is the user's responsibility to delete personal data from the product. Then take the waste to an official waste collection center or a participating retailer who will often accept it free of charge. Packaging should be discarded based on the marked material code. Operating and safety instructions should only be discarded once the applicable product is no longer in use. Please check with your local community/municipality for waste management guidance. For further information, visit www.2helpU.com and scan the above QR code.

TROUBLESHOOTING GUIDE

! **DANGER:** To reduce the risk of serious personal injury, turn unit off, remove safety key, and remove battery pack before making any adjustments or removing/installing attachments or accessories. An accidental start-up can cause injury.

For assistance with your product call your local DEWALT authorised service centre.

PROBLEM	SOLUTION
Mower doesn't run when bail handle is activated	<p>Check to make sure safety key has been installed and is fully seated and that power button has been pressed.</p> <p>Release bail handle. Turn mower off. Remove safety key and battery pack. Turn mower over and check that the blades turn freely.</p> <p>Check that the battery cavity is free of debris and is connected properly.</p> <p>Has battery been fully charged? Press state of charge button.</p> <p>If the handle folding indicator 15 is illuminated refer to the Raise the Single Touch Handle section in this manual.</p>
Blade motor stops while mowing	<p>Release bail handle. Turn mower off. Remove safety key and battery pack. Turn mower over and check that the blades turn freely.</p> <p>Raise cutting height of wheels to highest position and start mower.</p> <p>Check that the battery cavity is free of debris.</p> <p>Has battery been fully charged? Press state of charge button.</p> <p>Avoid overloading the mower. Slow down the cutting pace, or raise the cut height.</p> <p>If the overheat indicator 13 is illuminated allow the battery and mower to cool down. When cooled, restart the mower and resume cutting with the mower deck set higher.</p>
The single touch handle 1 will not lock into the storage position	<p>Ensure the two storage latches 30 at the bottom of the single touch handle 1 tubes pop outward before lowering the single touch handle 1 into the storage position.</p> <p>The main handle 4 must fully engage the handle windows 29. If they are not engaged as shown in Fig. G, press the main handle 4 towards the handle support 2 until two audible clicks are heard and both sides of handle windows 29 are closed as shown in Fig. H.</p>
Self drive motor stops while working	<p>Shut down power to the self driving mower.</p> <p>Clean the self drive motor housing of debris.</p> <p>Check that the wheels are spinning freely.</p>
Mower runs but cutting performance is unsatisfactory, or does not cut entire lawn	<p>Has battery been fully charged? Press state of charge button.</p> <p>Release bail handle to turn mower off. Remove safety key and battery pack. Turn mower over and check:</p> <ul style="list-style-type: none"> • Blades for sharpness - Keep blades sharp. • Deck and discharge chute for clogging. <p>Wheel height adjustment may be set too low for grass condition. Raise cutting height.</p> <p>The blade sharpening indicator 16 will illuminate when the blades need service. Sharpen or replace the blades, refer to the Blade Sharpening section in this manual.</p>
Mower is too hard to push	<p>Release bail handle to turn mower off. Remove safety key and battery pack. Raise cutting height to reduce deck drag on grass. Check each wheel for free rotation.</p> <p>If the overheat indicator 13 is illuminated allow the battery and mower to cool down. When cooled, restart the mower and resume cutting with the mower deck set higher.</p>
Mower is abnormally noisy and vibrates	<p>Release bail handle to turn mower off. Remove safety key and battery pack. Turn mower on side and check blade to ensure it has not been bent or damaged. If blade is damaged, replace with a DEWALT replacement blade. If the underside of the deck is damaged, return mower to a DEWALT authorised service centre.</p> <p>If there is no visible damage to the blade and the mower still vibrates: Release bail handle to turn mower off. Remove safety key and battery pack. Disassemble entire blade assembly as described in the Removing and Installing Blades section. Remove any debris and clean each piece. Replace each piece as described in the Removing and Installing Blades section. If mower still vibrates, return the mower to an authorised DEWALT service centre.</p>
Mower not picking up clippings with bag	<p>Chute clogged. Release bail handle to turn mower off. Remove safety key and battery pack. Clear chute of grass clippings.</p> <p>Raise cutting height of wheels to shorten length of the cut.</p> <p>Bag full. Empty bag more often.</p>

