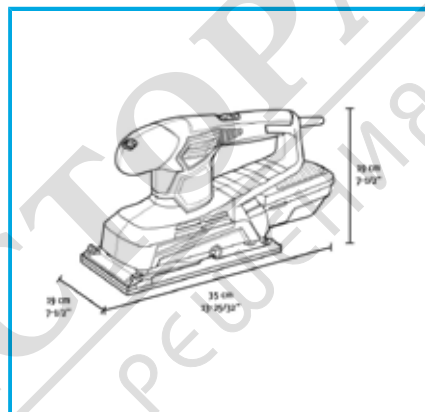


ART. FFOS03503A-K
ORBITAL SANDER 350W



CLAMP-LEVER FIXING SYSTEM
VARIABLE SPEED
DUST EXTRACTION SYSTEM WITH CONTAINER / COMPATIBLE WITH VACUUM CLEANER
REAR SOFT RUBBER...



Power	350 W
Amperage at 220-240V	1,5 A
No-load speed	6000-11000 min-1
No-load oscillation rate	12000-22000 min-1
Eccentricity	2,5 mm
Sanding paper size	115 x 280 mm
Sanding surface size	115 x 230 mm
EAN Code	8012667404550
Packaging dimensions	365 x 125 x 190 h mm
Gross weight	2,76 kg



Box



Soft Grip



Belt Hook



- Variable Speed



D-Handle



Dust Extraction

