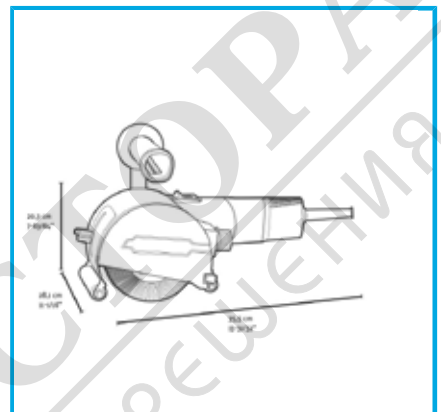


ART. FFSF14003A-110K
BURNISHING MACHINE 110 MM 1,4 KW



VARIABLE SPEED ROTATION SPEED STABILIZATION SYSTEM AT BOTH AN IDLE AND UNDER LOAD SOFT START SPINDLE LOCK RESTART...



Power	1,4 kW
Amperage at 220-240V	6,6 A
Speed	1000-4000 min ⁻¹
Spindle diameter	19 mm
Max Ø of brush	110 mm
Max width of brush	100 mm
EAN Code	8012667404512
Packaging dimensions	410 x 240 x 130 h mm
Gross weight	4,14 kg



Box

- Variable Speed



Constant Speed



Arbor Lock



2-Position Switch



Soft Start

