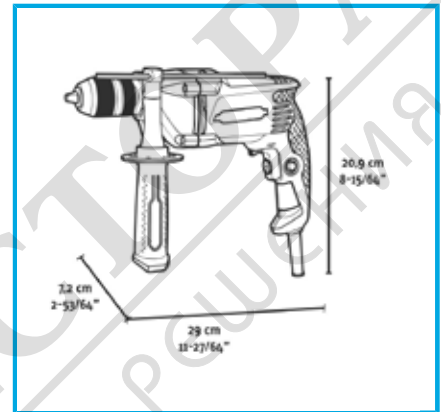


**ART. FFID08103A-K**  
**IMPACT DRILL 810W**



METAL KEYLESS SELF-TIGHTENING CHUCK  
 VARIABLE SPEED  
 ELECTRONIC SPEED ADJUSTMENT  
 2 MODES: DRILLING / IMPACT  
 DRILLING REVERSE...



<b>Power</b>	0,81 kW
<b>Amperage at 220-240V</b>	3,9 A
<b>No-load speed</b>	0-2800 min-1
<b>Impact rate</b>	0-44800 min-1
<b>Chuck tightening range</b>	2 - 13 mm
<b>Drilling output concrete</b>	Max 16 mm
<b>Drilling output steel</b>	Max 13 mm
<b>Drilling output wood</b>	Max 30 mm
<b>EAN Code</b>	8012667404345
<b>Packaging dimensions</b>	320 x 250 x 85 h mm
<b>Gross weight</b>	2,70 kg



Box



2 Functions



Variable Speed



Keyless



Electronic Speed



Reverse



Lock-On

