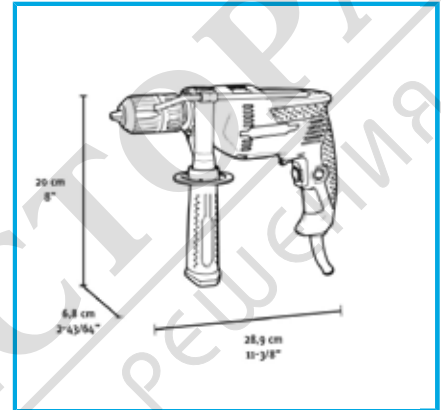


ART. FFID06003A-K
IMPACT DRILL 600W



2-STEPS-LOCK KEYLESS SELF-TIGHTENING CHUCK
VARIABLE SPEED ELECTRONIC SPEED ADJUSTMENT
2 MODES: DRILLING / IMPACT DRILLING
REVERSE...



Power	0,6 kW
Amperage at 220-240V	2,8 A
No-load speed	0-2800 min-1
Impact rate	0-44800 min-1
Chuck tightening range	2 - 13 mm
Drilling output concrete	Max 13 mm
Drilling output steel	Max 13 mm
Drilling output wood	Max 20 mm
EAN Code	8012667404338
Packaging dimensions	320 x 250 x 85 h mm
Gross weight	2,30 kg



Box



2 Functions



Variable Speed



Keyless



Electronic Speed



Reverse



Lock-On

