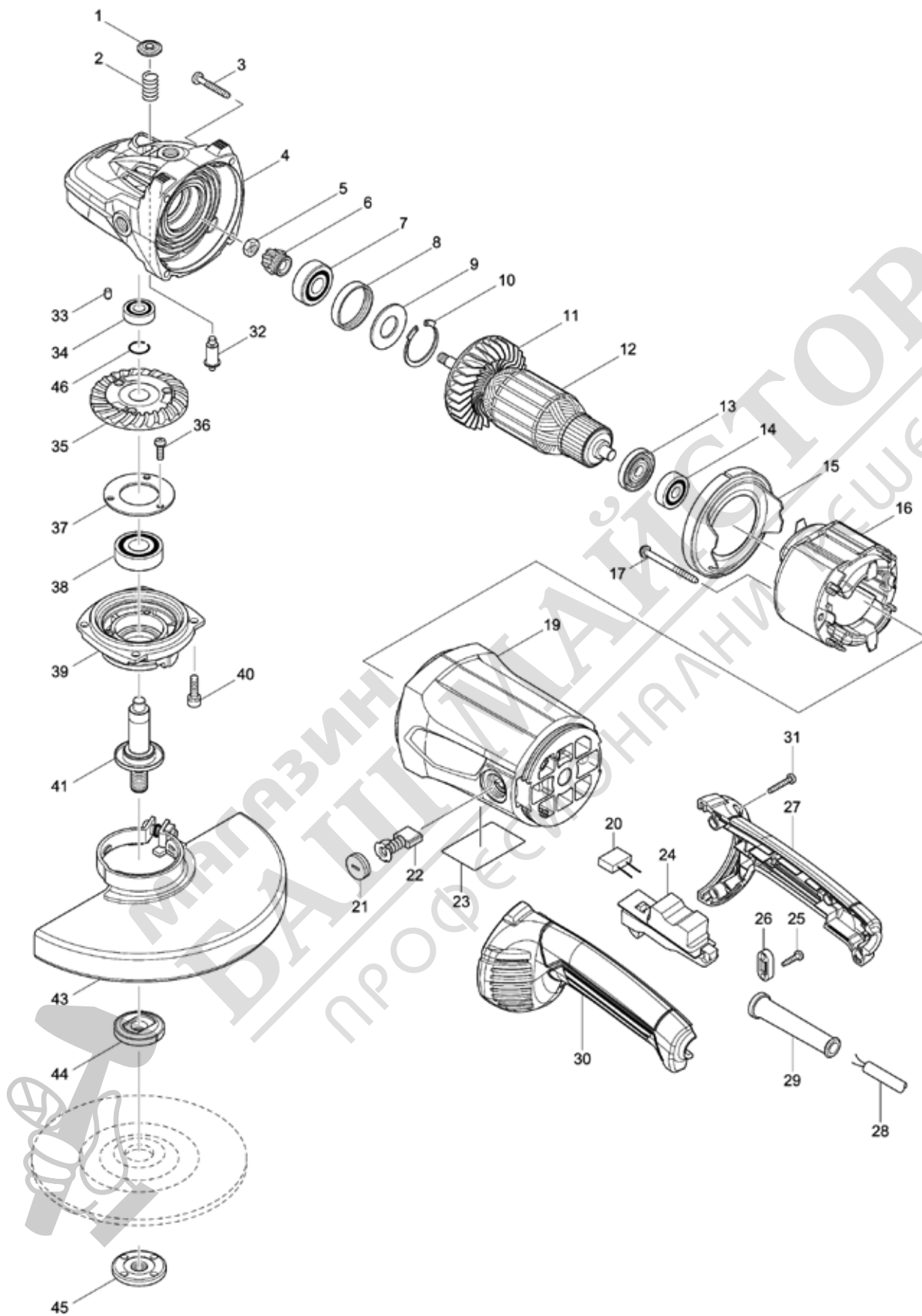


Model No.M9001 230MM ANGLE GRINDER



Model No.M9001 230MM ANGLE GRINDER

| Item | Parts No. | Description | I/C | QTY | New/Old | Opt. 1 | Opt. 2 | NOTE |
|------|-----------|-----------------------------|-----|-----|---------|--------|--------|------|
| 001 | 419133-4 | PIN CAP | | 1 | | | | |
| 002 | 233292-8 | COMPRESSION SPRING 12 | | 1 | | | | |
| 003 | 266373-3 | TAPPING SCREW 5X35 | | 4 | | | | |
| 004 | 142753-6 | GEAR HOUSING COMPLETE | | 1 | | | | |
| D10 | | INC. 33 | | | | | | |
| 005 | 252194-9 | HEX. NUT M8 | | 1 | | | | |
| 006 | 227490-4 | SPIRAL BEVEL GEAR 12 | | 1 | | | | |
| 007 | 210104-2 | BALL BEARING 6301DDW | | 1 | | | | |
| 008 | 262085-6 | RUBBER RING 38 | | 1 | | | | |
| 009 | 267299-2 | FLAT WASHER 20 | | 1 | | | | |
| 010 | 962211-4 | RETAINING RING R-42 | | 1 | | | | |
| 011 | 240081-4 | FAN 80 | | 1 | | | | |
| 012 | 516948-1 | ARMATURE ASS'Y 220-240V | | 1 | | | | |
| D10 | | INC. 11,13,14 | | | | | | |
| 013 | 681630-2 | INSULATION WASHER | | 1 | | | | |
| 014 | 210070-3 | BALL BEARING 6200ZZ | | 1 | | | | |
| 015 | 419135-0 | BAFFLE PLATE | | 1 | | | | |
| 016 | 596279-4 | FIELD ASS'Y 240V | | 1 | | | | |
| C20 | 654502-4 | CONNECTOR P-2 | | 2 | * | | | |
| C21 | 654486-6 | PARALLEL SPLICE | > | 2 | | | | |
| C21 | 654486-6 | PARALLEL SPLICE | | 2 | | | | |
| C10 | 654197-3 | RING TERMINAL | | 2 | | | | |
| 017 | 266352-1 | TAPPING SCREW 5X65 | | 2 | | | | |
| 019A | 143119-3 | MOTOR HOUSING COMPLETE | | 1 | | | | |
| 019B | 143252-1 | MOTOR HOUSING COMPLETE | | 1 | | | | |
| C10 | 643564-7 | BRUSH HOLDER | | 2 | | | | |
| 020 | 645240-9 | NOISE SUPPRESSOR | | 1 | | | | |
| 021 | 643700-5 | BRUSH HOLDER CAP 7-18 | | 2 | | | | |
| 022 | 194992-4 | CARBON BRUSH SET CB-204 | | 1 | | | | |
| 023 | 850W54-3 | M9001 NAME PLATE | | 1 | | | | |
| 024 | 651183-5 | SWITCH HY44B | | 1 | | | | |
| 025 | 266326-2 | TAPPING SCREW 4X18 | | 2 | | | | |
| 026 | 687124-5 | STRAIN RELIEF | | 1 | | | | |
| 027A | 188996-6 | HANDLE SET | | 1 | | | | |
| 027B | 183A94-7 | HANDLE SET | | 1 | | | | |
| D10 | | INC. 30 | | | | | | |
| 028 | 666952-1 | POWER SUPPLY CORD 1.0-2-2.0 | | 1 | | | | |
| 029 | 682540-6 | CORD GUARD 9.3-90 | | 1 | | | | |
| 030A | 188996-6 | HANDLE SET | | 1 | | | | |
| 030B | 183A94-7 | HANDLE SET | | 1 | | | | |
| D10 | | INC. 27 | | | | | | |
| 031 | 266374-1 | TAPPING SCREW 4X25 | | 4 | | | | |

Please order the parts with part number.

Print Date 6/4/2021

Model No.M9001 230MM ANGLE GRINDER

| Item | Parts No. | Description | I/C | QTY | New/Old | Opt. 1 | Opt. 2 | NOTE |
|--------|-----------|-----------------------------|-----|-----|---------|--------|--------|------|
| 032 | 256491-5 | SHOULDER PIN 5 | | 1 | | | | |
| 033 | 263002-9 | RUBBER PIN 4 | | 1 | | | | |
| 034A | 210067-2 | BALL BEARING 6000ZZ | | 1 | * | | | |
| 034-1A | 210199-5 | BALL BEARING 6000ZZ | O | 1 | | | | |
| 034-1B | 210199-5 | BALL BEARING 6000ZZ | | 1 | | | | |
| 035 | 227491-2 | SPIRAL BEVEL GEAR 53 A | | 1 | | | | |
| 036 | 265120-9 | PAN HEAD SCREW M5X16 | | 3 | | | | |
| 037 | 285724-1 | BEARING RETAINER 50 | | 1 | | | | |
| 038 | 211285-5 | BALL BEARING 6203DDW | | 1 | * | | | |
| 038-1 | 210239-9 | BALL BEARING 6203DDW | O | 1 | | | | |
| 039 | 318617-8 | BEARING BOX | | 1 | | | | |
| 040 | 265541-5 | HEX. SOCKET HEAD BOLT M6X22 | | 4 | | | | |
| 041 | 158209-9 | SPINDLE COMPLETE | | 1 | | | | |
| 043A | 122892-8 | WHEEL COVER 230K ASS'Y | | 1 | * | | | |
| C10 | 213017-6 | O RING 6 | | 1 | * | | | |
| C20 | 265198-2 | +PAN HEAD SCREW M8X25 | | 1 | * | | | |
| 043-1A | 122892-8 | WHEEL COVER 230K ASS'Y | O | 1 | | | | |
| C10 | 213017-6 | O RING 6 | | 1 | | | | |
| C20 | 265198-2 | +PAN HEAD SCREW M8X25 | | 1 | | | | |
| 043-1B | 122892-8 | WHEEL COVER 230K ASS'Y | | 1 | | | | |
| C10 | 213017-6 | O RING 6 | | 1 | | | | |
| C20 | 265198-2 | +PAN HEAD SCREW M8X25 | | 1 | | | | |
| 044A | 224415-9 | INNER FLANGE 42 | | 1 | * | | | |
| 044-1A | 224490-5 | INNER FLANGE 14-45 | O | 1 | | | | |
| 044-1B | 224490-5 | INNER FLANGE 14-45 | | 1 | | | | |
| 045 | 224543-0 | LOCK NUT 14-45 | | 1 | | | | |
| 046 | 233946-7 | RING SPRING 15 | | 1 | | | | |
| 047 | 892810-7 | CLEAR LABEL | | 1 | | | | |
| A01 | 152539-0 | GRIP 36 COMPLETE | | 1 | | | | |
| A02A | 782407-9 | LOCK NUT WRENCH 35 | | 1 | * | | | |
| A02-1A | 782034-2 | LOCK NUT WRENCH 35 | O | 1 | | | | |
| A02-1B | 782034-2 | LOCK NUT WRENCH 35 | | 1 | | | | |
| A03 | 224256-3 | OUTER FLANGE 78 | | 1 | | | | |
| A04 | 224257-1 | INNER FLANGE 78 | | 1 | | | | |
| B01A | 191845-8 | FLANGE 78 SET | | 1 | | | | |
| D10 | | INC. A03,A04 | | | | | | |
| B01B | 191845-8 | FLANGE 78 SET | | 1 | | | | |
| D10 | | INC. A03,A04 | | | | | | |

Please order the parts with part number.

Print Date 6/4/2021