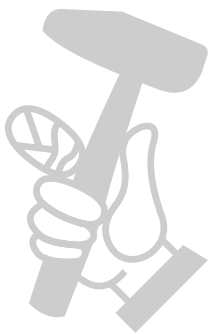
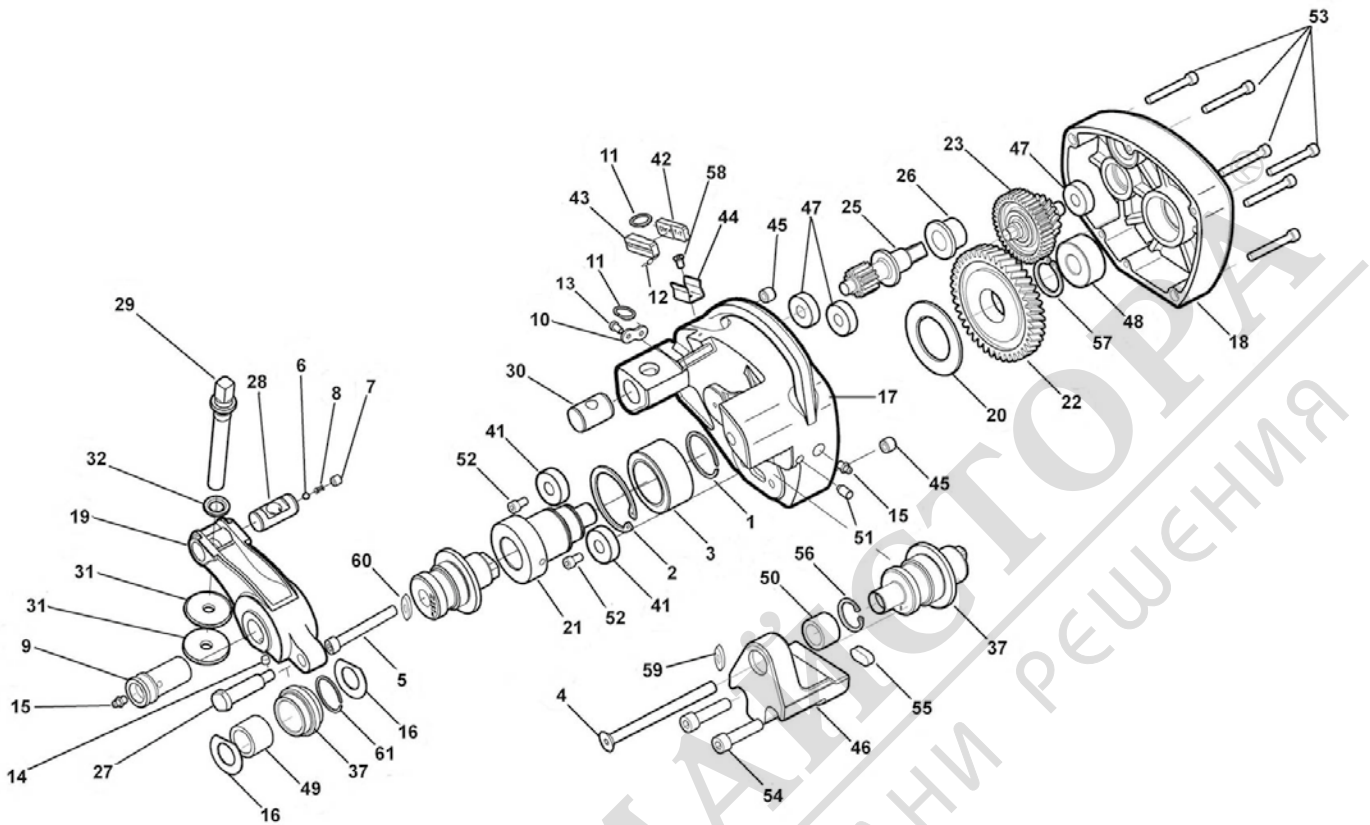


HAND ROLL GROOVER 1" - 12"
№. 100000212

dated: 09/17



МАГАЗИН МАШИН
БАШ МАШИНЫ
ПРОФЕССИОНАЛНИ РЕШЕНИЯ

HAND ROLL GROOVER 1" - 12"

dated: 09/17

No. 100000212

Item no.	Description	Article no.	Quantity
-	Measuring tape	1500000134	1
-	Adapter for Supertronic	1300001365	1
1	Safety ring SW45	1300001360	1
2	Safety ring SB 65	1300001361	1
3	Needle roller bearing IKO TRI 456430	1300001362	1
4	Screw M10 x120 DIN-7991	1300001363	1
5	Screw M10 x 80 DIN-912	1300001364	1
6	Boll d/5 DIN-5401	F88626	1
7	Screw M8x8 DIN-913	H88083	1
8	Spring	766101200	1
9	Bearing shaft	887200800	1
10	Chain fixer	887202400	1
11	O-ring	887202500	2
12	Chain	887202600	1
13	Screw M5x10 DIN-7985	7510008	1
14	Fixing screw M6x8, DIN 914	887203600	1
15	Greaser M6/100 DIN-71412	H98963	2
16	Friction washer	887205900	2
17	Front body	887400200	1
18	Back body	887400416	1
19	Body for the roller	887400600	1
20	Washer	887400700	1
21	Main spindle	887400800	1
22	Helicoidal gear	887400900	1
23	Intermedium gear	887408000	1
25	Transmission gear	887401200	1
26	Bushing	887401300	1
27	Spindle	887401400	1
28	Guide for the advance spindle	887401500	1
29	Advance spindle	887401600	1
30	Nut for the advance spindle	887401700	1
31	Adjusting for groove depth	887401800	2
32	Gasher for the advance spindle	887401900	1
37	Roller Set 2" - 6" (spindle + roller)	1000000850	1
37	Roller Set 1" (spindle + roller)	1000000720	1
37	Roller Set 8" - 12" (spindle + roller)	1000000723	1
37	Roller Set 4" - 6" (spindle + roller)	1000000722	1
37	Roller Set 1.1/4" - 1.1/2" (spindle + roller)	1000000721	1
41	Pipe stop ring	887402800	2
42	Depth scale 1" - 6"	887402900	1
43	Depth scale 8" - 12"	887403000	1
44	Scales holder	887403100	1
45	Positioning ring	887403200	2
46	Support body	887403400	1
47	Ball bearing 6201	85902	3
48	Bearing 3204-A	887403600	1
49	Needle roller bearing IKO YT 2520	887403700	1
50	Needle roller bearing IKO YT 223020	887403800	1
51	Screw M8x12 DIN 915	887403900	1
52	Screw M6x10 DIN-6912	887404000	2
53	Screw M6x55 DIN-912	H88469	6
54	Screw M10x45 DIN-912	FF54107	2
55	Bolt 12x8x25 A DIN-6885	887404300	1
56	Safety ring 30x1,2 DIN-472	FF54056	1
57	Safety ring 35x1,5 DIN-471	L82815	1
58	Screw M5x10 DIN-965	887404600	1
59	Washer DIN-6797-V 10,5 FST	1300001563	1
60	Safety ring DIN-128-A 10-FST	1300001562	1
61	Safety ring SB 33	1300001595	1

IMPORTANT!

To assure safety and reliability, repairs, maintenance and adjustment must be preformed by ROTHENBERGER Kelkheim or authorized Service-Centers. Always use Original-Service-Parts. Order your accessories and spare parts from your specialist retailer or using our Service After Sales hotline

Tel. +49 6195 - 800 8200

Fax: +49 6195 - 800 7491

 service@rothenberger.com