

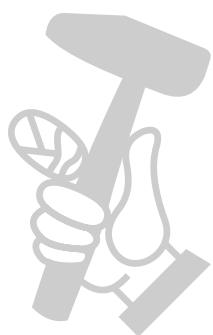
---

# Spare Parts Kits

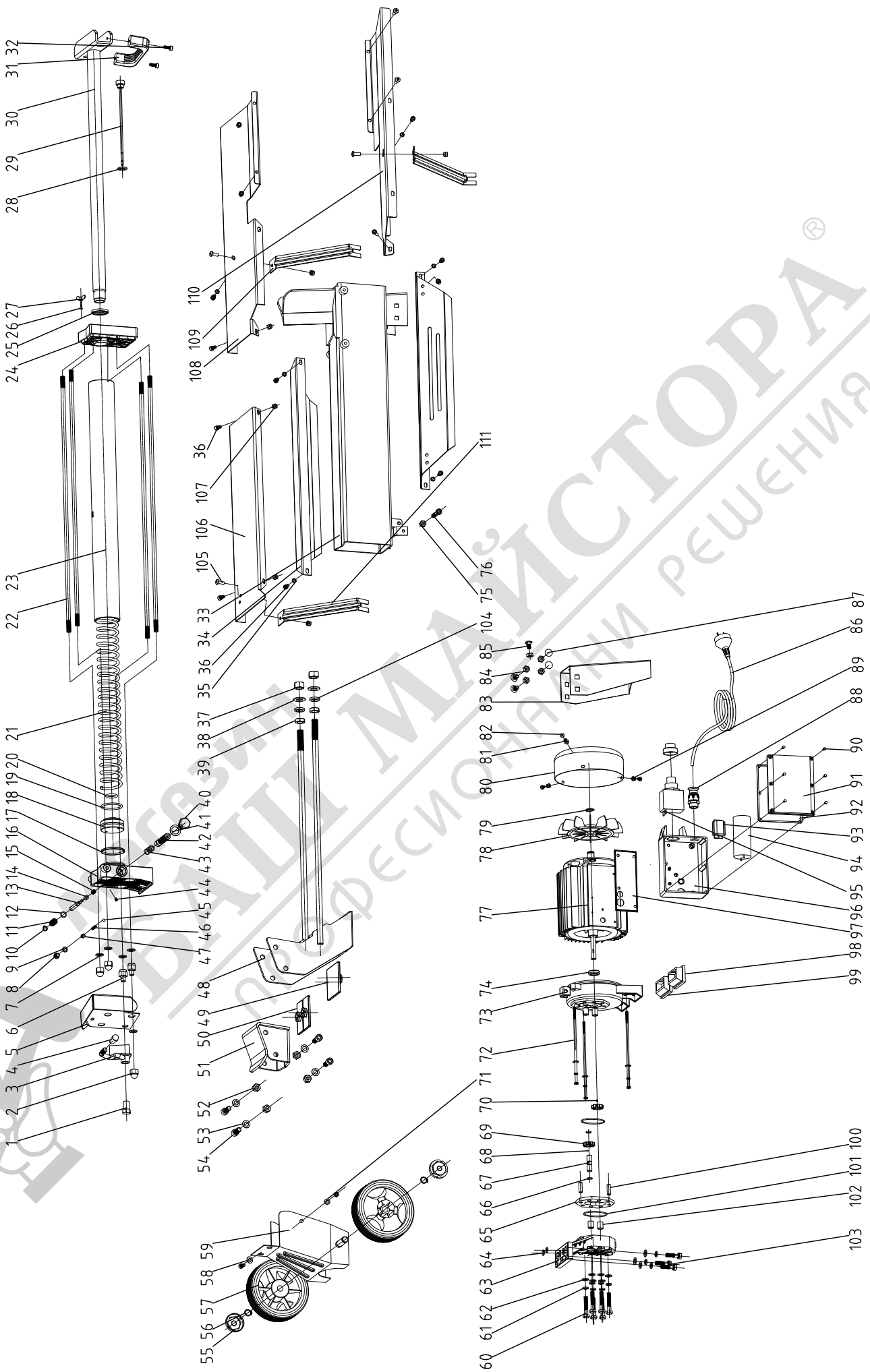
---



**Model: LSEm 7010**



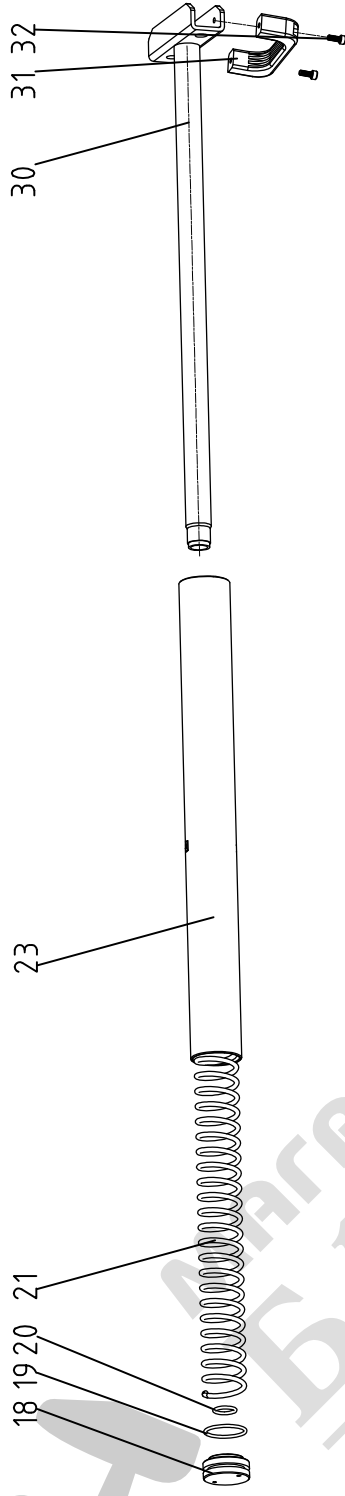
# LSEm 7010 complete overview



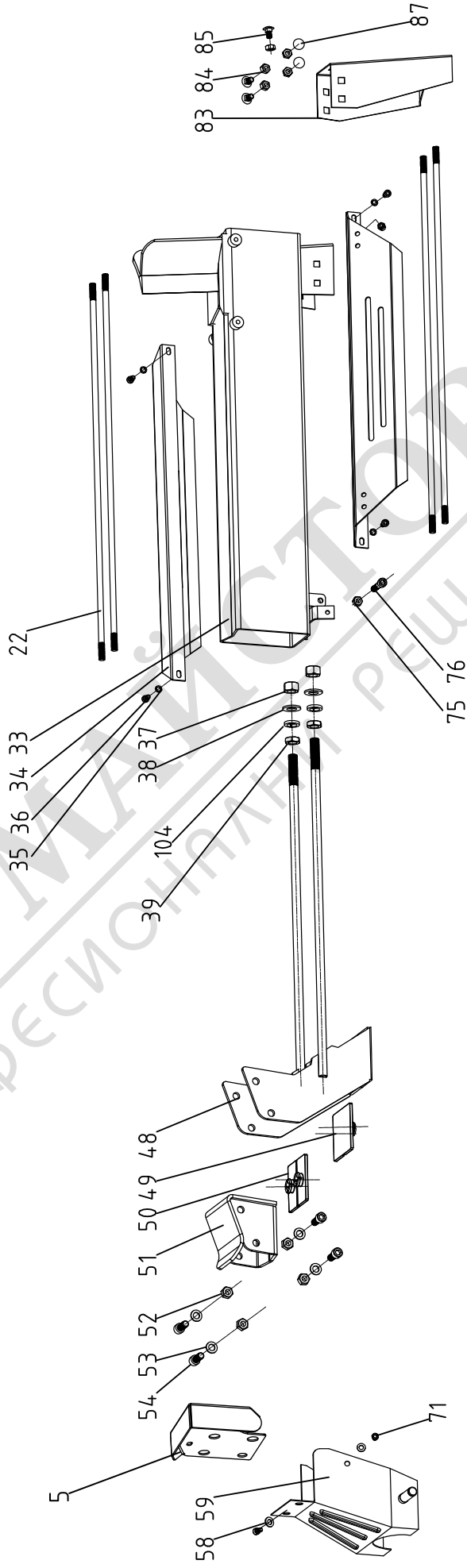
МАЙСТОР  
РЕШЕНИЯ

LSEm 7010  
main parts

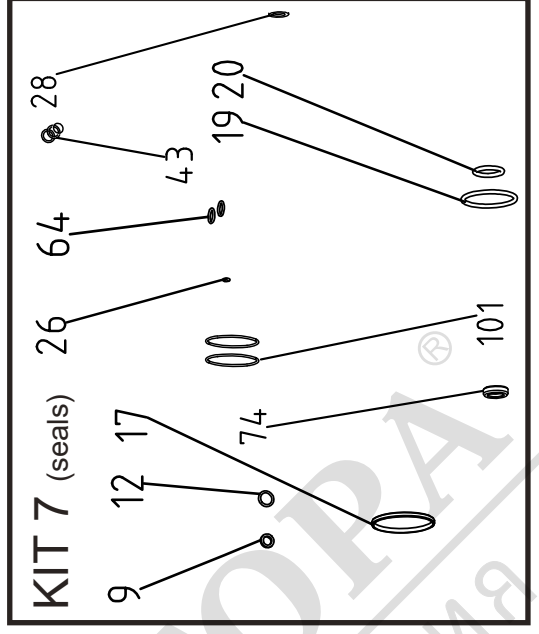
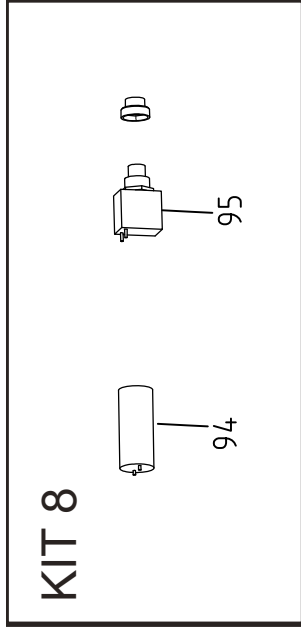
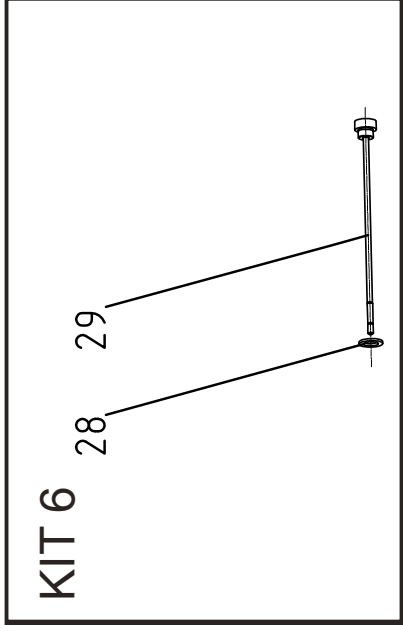
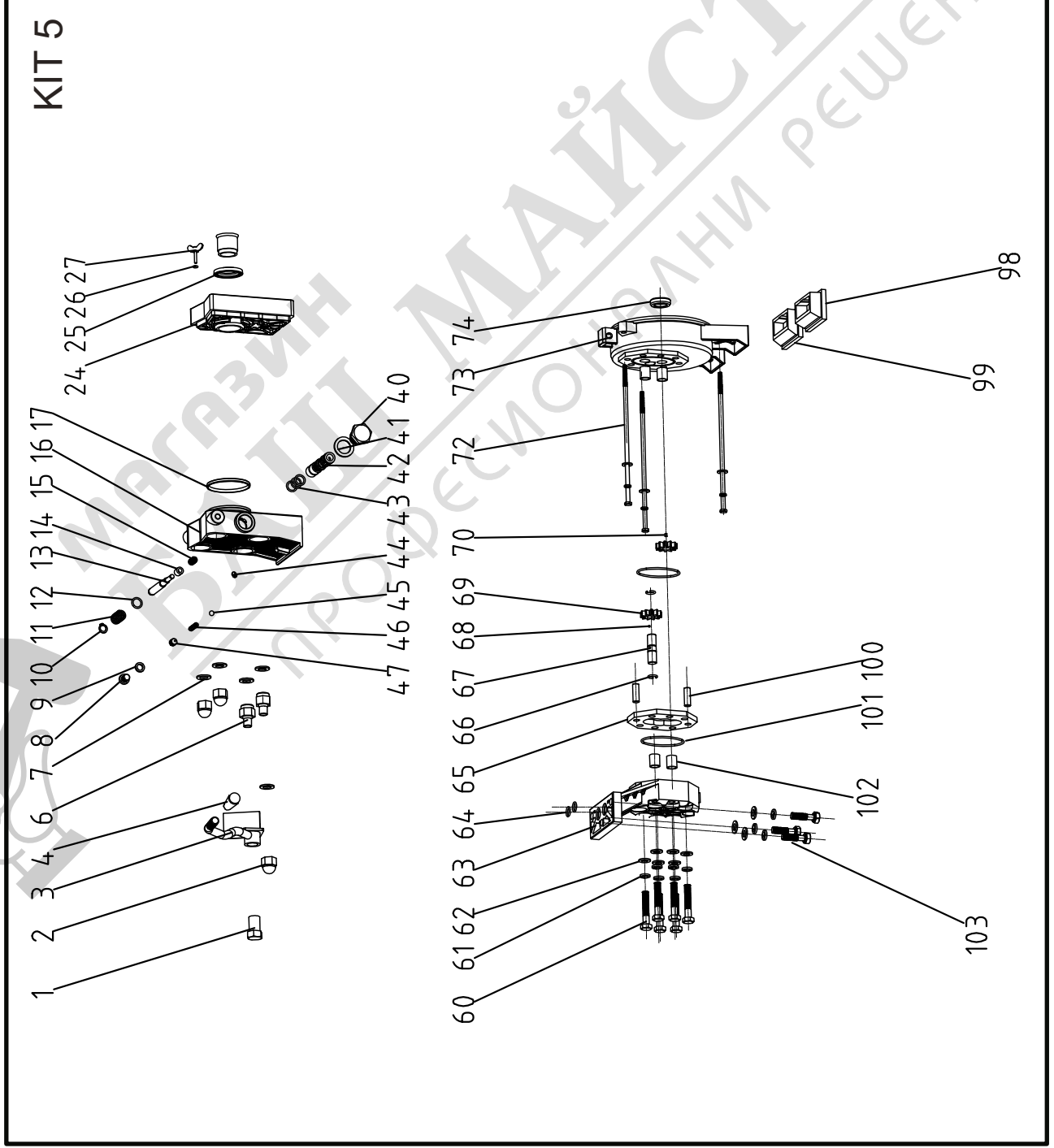
KIT 2



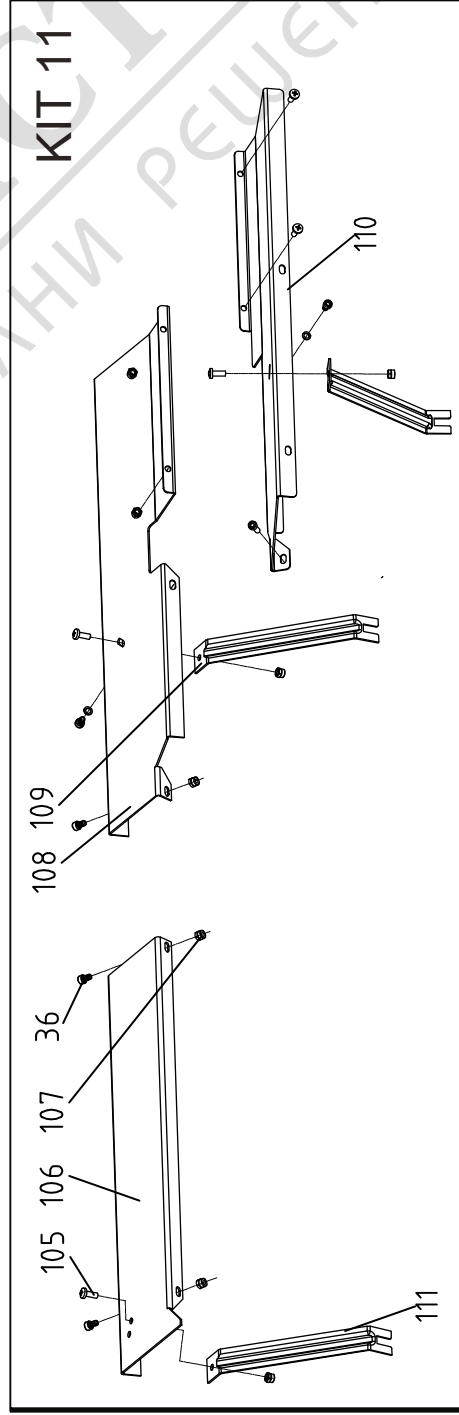
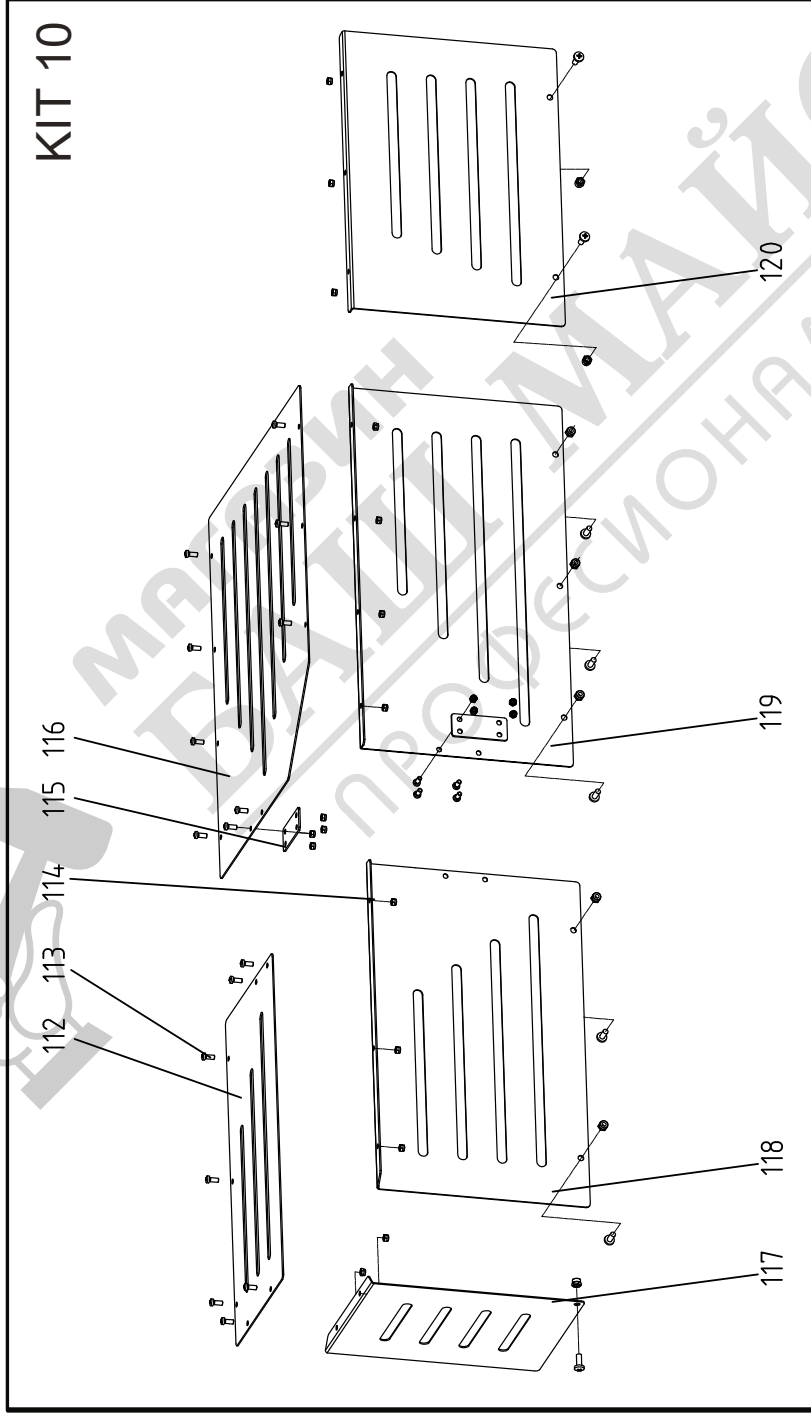
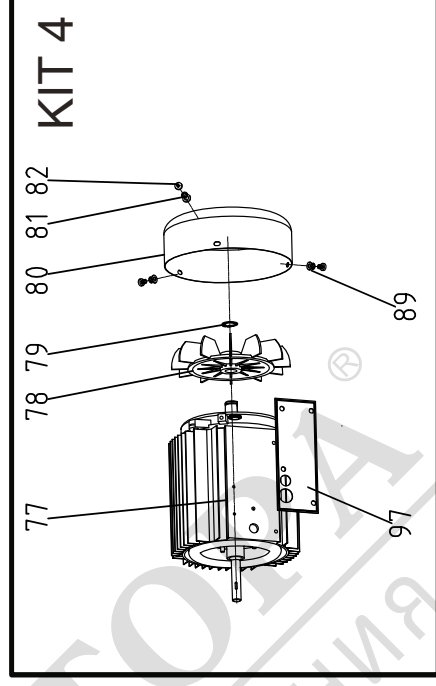
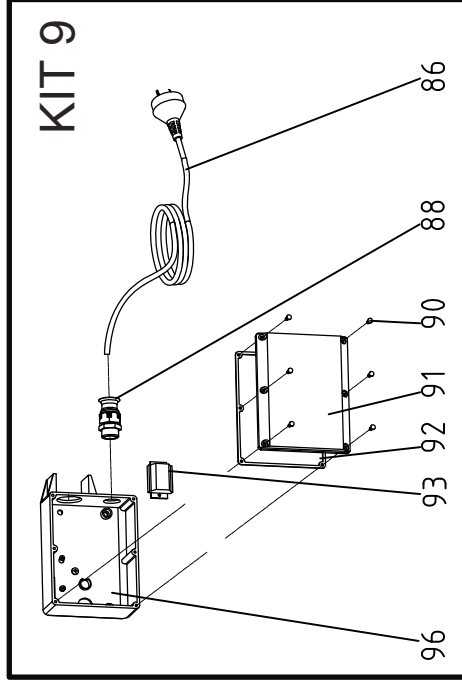
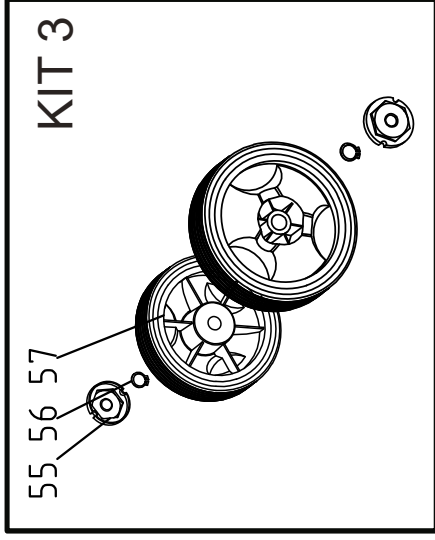
KIT 1



# LSEm 7010 pump assy and seals



# LSEm 7010 pump assy and seals

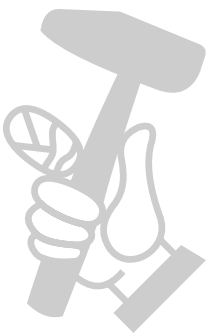




# REM POWER®

Rheinland Elektro Maschinen

NO.	REM CODE	Description	QTY
	<b>8805000001901</b>	<b>KIT 1</b>	
5		Lever Guard	1
22		Stud Bolt	4
33		Frame Tube	1
34		Lead Plank	2
35		Spring Washer 6	6
36		Screw M6x12	12
37		Nut M14	2
38		Flat Wahser 14	2
39		Hexagon Thin Nut M14	2
48		Log Pusher Connection Weldn	1
49		Plastic Insert 1	1
50		Plastic Insert 2	1
51		Log Pusher	1
52		Nut M10	4
53		Flat Wahser 10	5
54		Screw M10x25	4
58		Washer 6	1
59		Wheel Bracket	1
71		Washer 6	1
75		Nut M8	1
76		Screw M8x35	1
83		Leg	1
84		Nut M8	5
85		Bolt M8x12	3
87		Bolt M8x16	2
104		Spring Washer 14	2
	<b>8805000001902</b>	<b>KIT 2</b>	
18		Piston	1
19		Piston Ring 55	1
20		O-ring 32x3.5	1
21		Spring	1
23		Hydraulic Cylinder	1
30		Piston Rod	1
31		Lift Handle	1
32		Screw M6X16	2
	<b>8805000001903</b>	<b>KIT 3</b>	
55		Wheel Cap	2
56		Shaft Circlip A14	2
57		Wheel	2
	<b>8805000001904</b>	<b>KIT 4</b>	
77		Motor	1
78		Motor Fan	1
79		Shaft Circlip A17	1
80		Motor Cover	1
81		Spring Washer 5	6
82		Screw M5X10	3
89		Washer 5	6
97		Waterproof Gasket	1
	<b>8805000001905</b>	<b>KIT 5</b>	
1		Lever Mount Nut	1
2		Cap Nut M10	3
3		Lever	1
4		Lever Knob	1
6		Customized Nut	2
7		Copper Gasket 10	4
8		Safety Valve Bolt M8	1
9		O-ring 5.5x2	1
10		Snap Washer 6	1
11		Valve Retract Spring	1
12		O-ring 6x1.5	1
13		Valve Core Rod	1
14		Sliding Sleeve	
42		Valve Sleeve	
15		Sliding Sleeve Sping	1
16		Alumium Cover ( Rear )	1
17		O-ring 50x2.65	1
24		Alumium Cover ( Front)	1
25		Piston Rod Seal 30	1
26		O-ring 7x1.9	1
27		Wing Bolt M5X12	1
40		Drain Plug	1
41		Wahser Groupware 16	1
43		O-ring 10x2	5
44		Adjusting Screw M5x8	1
45		Steel Ball 6	1

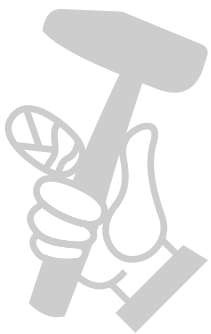


МАГАСТРА  
БАЛТИЙСКИЙ  
ПРОФИТАЙМ  
РЕШЕНИЯ

ТОРА®



46		Valve Spring	1
47		Adjusting Screw M8x8	1
60		Bolt M8x55	6
61		Spring Washer 8	9
62		Washer 8	9
63		Gear Pump Cover	1
64		O-ring 10.6x2.65	2
65		Gear Housing Plate	1
66		Circlip 10	2
67		Gear Shaft	1
68		Steel Ball 2.5	1
69		Pump Gear	2
70		Pin 2.5x4	1
72		Bolt M5x180	3
73		Motor Cover	1
74		Seal FB11x26x7	1
98		Motor Support Left Shoe	1
99		Motor Support Right Shoe	1
100		Pin 8X24	2
101		O-ring 46.2x1.8	2
102		Sliding Sleeve	4
103		Bolt M8x30	3
	<b>8805000001906</b>	<b>KIT 6</b>	
28		Wahser Groupware 14	1
29		Dipstick	1
	<b>8805000001907</b>	<b>KIT 7</b>	
9		O-ring 5.5x2	1
12		O-ring 6x1.5	1
17		O-ring 50x2.65	1
19		Piston Ring 55	1
20		O-ring 32x3.5	1
26		O-ring 7x1.9	1
28		Wahser Groupware 14	1
43		O-ring 10x2	5
64		O-ring 10.6x2.65	2
74		Seal FB11x26x7	1
101		O-ring 46.2x1.8	2
	<b>8805000001908</b>	<b>KIT 8</b>	
94		Capacitor	1
95		Switch	1
	<b>8805000001909</b>	<b>KIT 9</b>	
86		Cable & Plug	1
88		Cable Gland	1
90		Screw M4X10	11
91		Switch Box Cover	1
92		Airproof Gasket	1
93		Connection Terminal	1
96		Switch Box	1
	<b>8805000001910</b>	<b>KIT 10</b>	
112		Top Guard Plate 2	1
113		Screw M5x12	20
114		Locknut M5	20
115		Plate connector	2
116		Top Guard Plate 1	1
117		Left Guard Plate	1
118		Rear Guard Plate 2	1
119		Rear Guard Plate 1	1
120		Front Guard Plate	1
	<b>8805000001911</b>	<b>KIT 11</b>	
36		Screw M6x12	12
105		Screw M6X12	13
106		Guard Bottom Plate	1
107		Locknut M6	17
108		Log Tray 1	1
109		Support Strut 1	2
110		Log Tray 2	1
111		Support Strut 2	1



МАГАЗИНЫ  
БАВЕНСКО-ПРАГА  
РЕШЕНИЯ