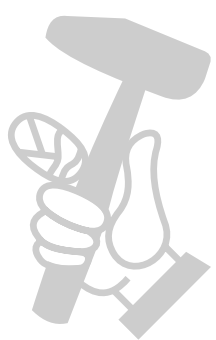
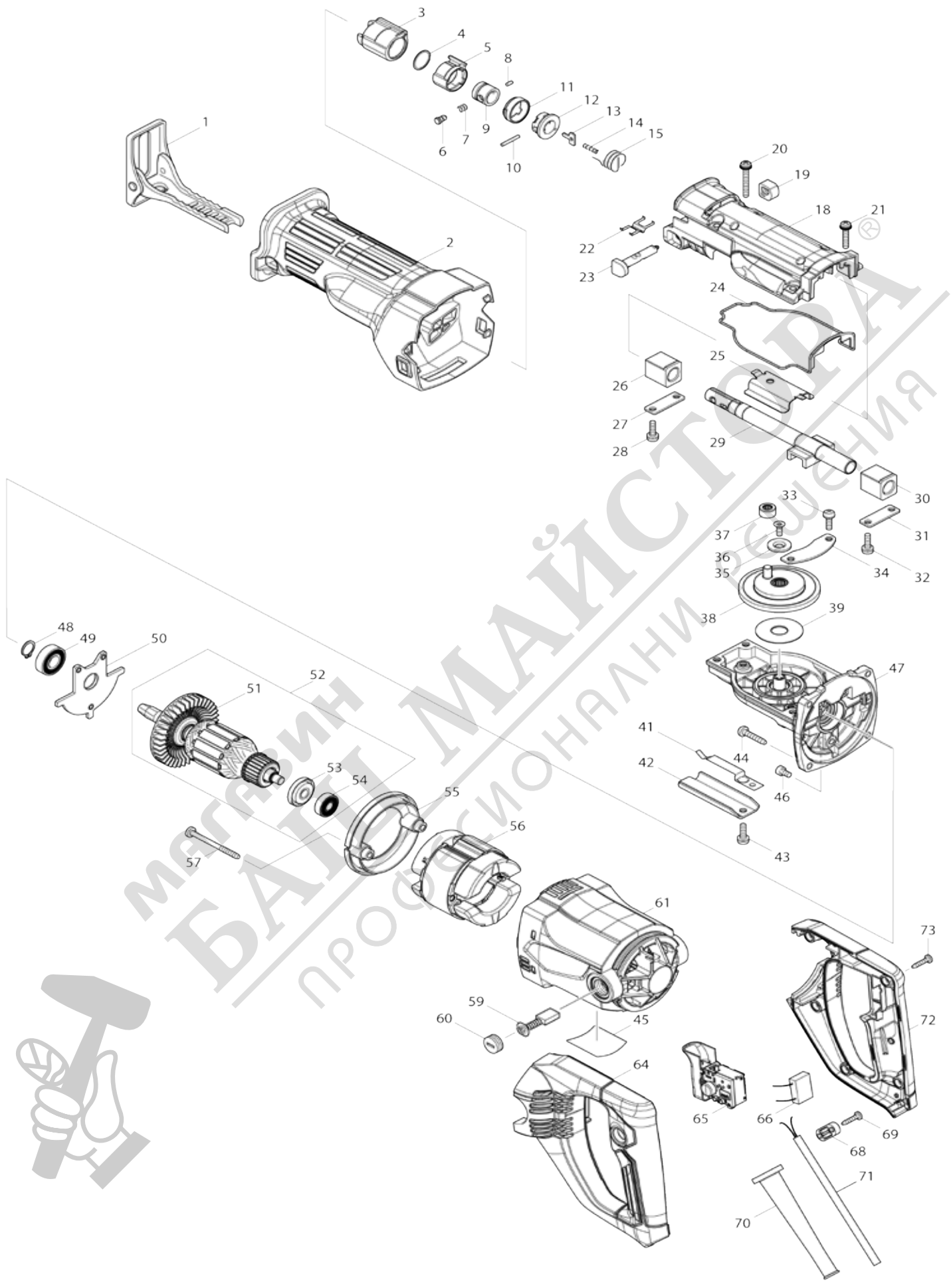


Model No.M4501 RECIPRO SAW



Model No.M4501 RECIPRO SAW

Item No.	Parts No.	Description	Interchangability	Q'ty	New/Old	Note1	Note2
001	165396-7	SHOE		1	*		
001-1	163451-9	SHOE	O	1			
002	424587-2	INSULATION COVER		1			
003	424147-0	PROTECTOR		1			
004	257952-8	RETAINING RING (EXT) 18		1	*		
004-1	257430-8	RETAINING RING(EXT)18	S	1			
005	310285-3	DRIVING SLEEVE		1			
006	256492-3	SHOULDER PIN 5		1			
007	233345-3	COMPRESSION SPRING 6		1			
008	268094-3	PIN 3		1			
009	331720-8	GUIDE SLEEVE		1	*		
009-1	327043-0	GUIDE SLEEVE	S	1			
010	256158-5	PIN 3		1			
011	417791-0	DRIVING SLEEVE GUIDE		1			
012	418311-3	SLEEVE		1			
013	345214-7	PUSH PLATE		1			
014	233025-1	COMPRESSION SPRING 2		1			
015	231687-9	TORSION SPRING 17		1			
018	142177-6	GEAR HOUSING COVER COMPLETE		1			
C10	213151-2	OIL SEAL 14		1			
C20	213174-0	X RING 14		1			
019	418806-6	CAP		1			
020	911258-5	PAN HEAD SCREW M5X35		2			
021	911243-8	PAN HEAD SCREW M5X25		2			
022	232221-8	LEAF SPRING A		1			
023	162236-0	SHIFT BUTTON		1			
024	424586-4	SEAL RING		1			
025	346714-0	SLIDE PLATE		1			
026	214169-6	PLANE BEARING 14		1			
027	341462-6	PLATE		1			
028	911225-0	PAN HEAD SCREW M5X16		2			
029	168820-9	SLIDER		1	*		
029-1	161601-0	SLIDER	<	1			
030	214169-6	PLANE BEARING 14		1			
031	341462-6	PLATE		1			
032	911225-0	PAN HEAD SCREW M5X16		2			
033	911225-0	PAN HEAD SCREW M5X16		2			
034	346715-8	GEAR PLATE		1			
035	267475-8	FLAT WASHER 6		1			
036	251969-3	HEX. SOCKET HEAD BOLT M5X12		1			
037	212959-1	NEEDLE BEARING 708		1			
038	142176-8	GEAR COMPLETE		1			
039	267474-0	FLAT WASHER 14		1			
041	232222-6	LEAF SPRING B		1			
042	346713-2	SHOE GUIDE		1			
043	911225-0	PAN HEAD SCREW M5X16		1			
044	266459-3	TAPPING SCREW 5X25		4			

045	852C78-5	M4501 NAME PLATE		1		
046	265530-0	HEX.SOCKET HEAD BOLT M5X8		3		
047	142178-4	GEAR HOUSING COMPLETE		1		
C10	931302-2	HEX. NUT M6		1		
C20	941151-9	FLAT WASHER 6		1		
048	961052-5	RETAINING RING (EXT) S-12		1		
049	210107-6	BALL BEARING 6001ZZ		1		
050	285737-2	BEARING RETAINER		1		
051	241863-7	FAN 70		1		
052	518693-4	ARMATURE ASS'Y 240V		1		
052		INC. 51,53,54				
053	681644-1	INSULATION WASHER		1		
054	210046-0	BALL BEARING 608ZZ		1		
055	454596-7	BAFFLE PLATE		1		
056	594629-7	FIELD ASS'Y 220-240V		1		
C10	654220-4	RING TERMINAL		2	*	
C11	654449-2	RING TERMINAL	O	2		
C20	654501-6	CONNECTOR P-1.25		2	*	
C21	654485-8	PARALLEL SPLICE	>	2		
057	266418-7	TAPPING SCREW 5X55		2		
059	191963-2	CARBON BRUSH CB-303		1	*	
059-1	194996-6	CARBON BRUSH SET CB-303	O	1		
060	643750-0	BRUSH HOLDER CAP 7-11		2		
061	143587-0	MOTOR HOUSING COMPLETE		1		
C10	643708-9	BRUSH HOLDER 5-11		2		
064	187717-3	HANDLE SET		1	*	
064		INC. 72			*	
064-1	1831F7-0	HANDLE SET	X	1		
064-1		INC. 72				
065	650714-7	SWITCH TN04-6/1BEK		1	*	
065-1	650004-8	SWITCH TN04-6/1BEK	X	1		
066	645190-8	NOISE SUPPRESSOR		1		
068	687124-5	STRAIN RELIEF		1		
069	266326-2	TAPPING SCREW 4X18		2		
070	682573-1	CORD GUARD 10		1		
071	665852-2	POWER SUPPLY CORD 1.0-2-2.0		1	*	
071-1	695454-0	POWER SUPPLY CORD 1.0-2-2.0	O	1	*	
071-2	665852-2	POWER SUPPLY CORD 1.0-2-2.0	O	1		
072	187717-3	HANDLE SET		1	*	
072		INC. 64			*	
072-1	1831F7-0	HANDLE SET	X	1		
072-1		INC. 64				
073	266326-2	TAPPING SCREW 4X18		5		
A01	821684-9	PLASTIC CARRYING CASE		1		
C10	452432-1	SLIDE LATCH		2		
C20	806G57-9	MAKITA MT LOGO LABEL		1		
A02	809B15-4	M4501K PLASTIC CASE LABEL		2		

Please state Parts No. when your order.

Print Date 10/10/2024