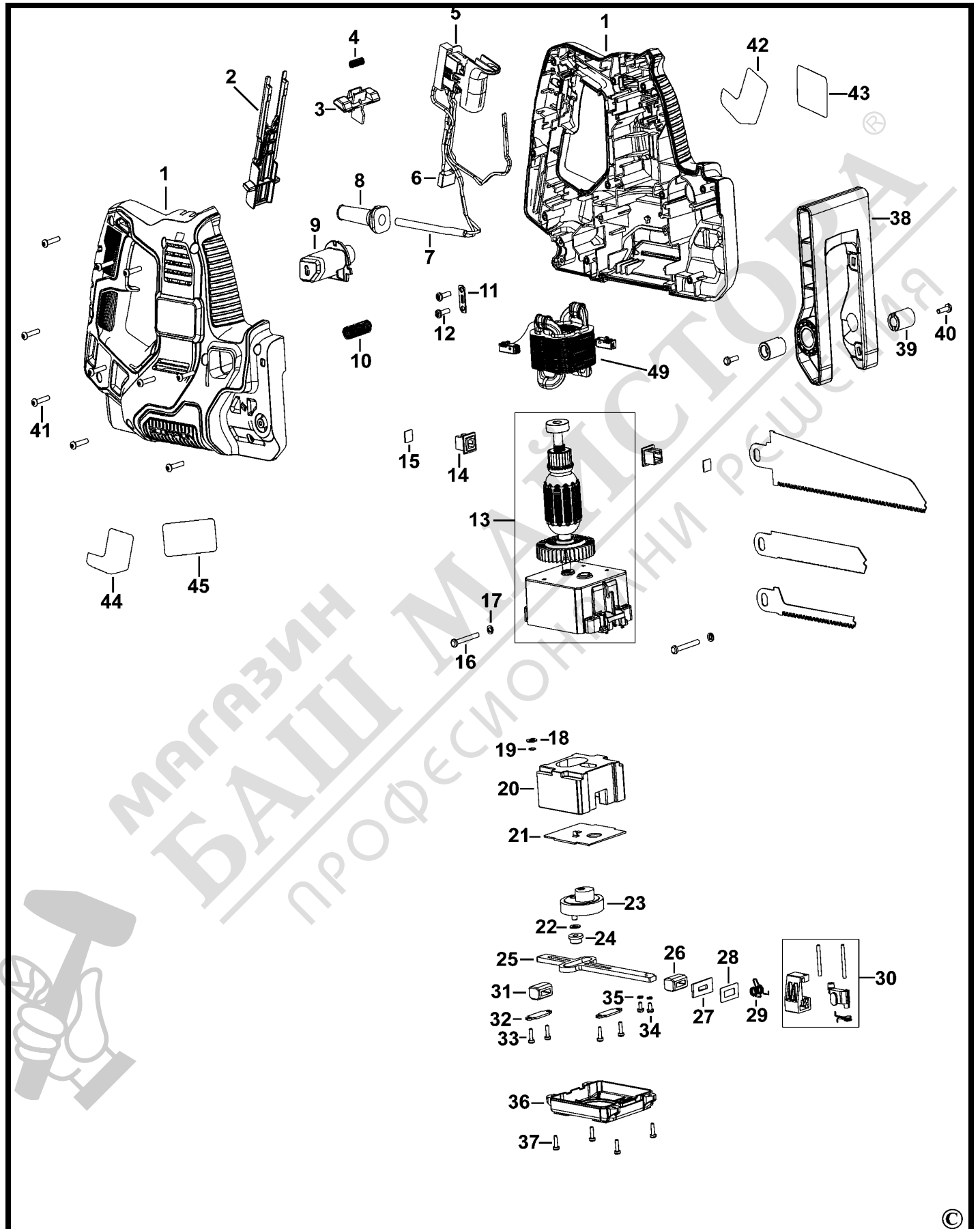


RS890

CUT SAW 1

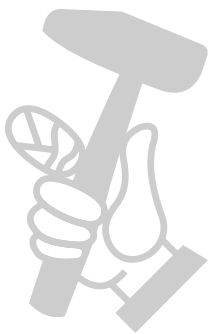


## Parts List for RS890 CUT SAW 1

Item	Part Number	Qty	Part Description	General Description	Other Info	Repair Inst	Markets
1	90583808	1	CLAMSHELL SET			No	
2	90588213	1	ACTUATOR			No	
3	90584063N	1	SWITCH LOCK OFF			No	QS
4	90532974	1	SPRING			No	
5	90585223	1	SWITCH			No	
6	90551199	1	CAPACITOR			No	
7	90578995-11	1	CORDSET (EURO)			No	QS
8	770235	1	PROTECTOR			No	
9	90585699	1	BUTTON RELEASE			No	
10	90581764	1	SPRING			No	
11	329301-00	1	CORD CLAMP			No	
12	821057	2	SCREW	No 6 x 12.7mm		No	
13	90597935	1	ARMATURE SA	230		No	
14	875735	2	INSERT			No	
15	90595464	2	INSERT			No	
16	330019-06	2	SCREW			No	
17	98197-03	2	WASHER			No	
18	588593-00	1	WASHER			No	
19	588592-00	1	LOCKING RING			No	
20	90584909	1	CONNTERWEIGHT			No	
21	90581138	1	PLATE THRUST			No	
22	823954	1	WASHER			No	
23	90597892	1	GEAR SA			No	
24	90595094	1	DRIVE ROLLER			No	
25	90585683	1	RECIPRICATOR			No	
26	90585693	1	BEARING			No	
27	90592973	1	FELT SEAL			No	
28	90590450	1	PLATE			No	
29	90585684	1	SPRING			No	
30	90597891	1	BLADE CLAMP			No	
31	90585693	1	BEARING			No	
32	90593281	2	PLATE			No	
33	330045-01	4	SCREW			No	

## Parts List for RS890 CUT SAW 1

Item	Part Number	Qty	Part Description	General Description	Other Info	Repair Inst	Markets
34	324007-02	2	SCREW	M3 X 06		No	
35	90572517	2	WASHER SPRING	M3		No	
36	90584908	1	GEARCASE COVER			No	
37	330045-01	4	SCREW			No	
38	90581135	1	SHOE			No	
39	90582696	1	POST			No	
40	330019-02	2	SCREW	M3.5X13 T15		No	
41	375669	10	SCREW			No	
42	90597134	1	LABEL	RH		No	
43	90589142	1	BRAND LABEL			No	
44	90597215	1	LABEL	LH		No	
45	90589143	1	RATING PLATE	EURO		No	QS
49	90597890	1	FIELD SA	230V		No	



МАГАЗИН МАЙСТОРА  
 БАШ МАЙСТОРА  
 ПРОФЕСИОНАЛНИ РЕШЕНИЯ