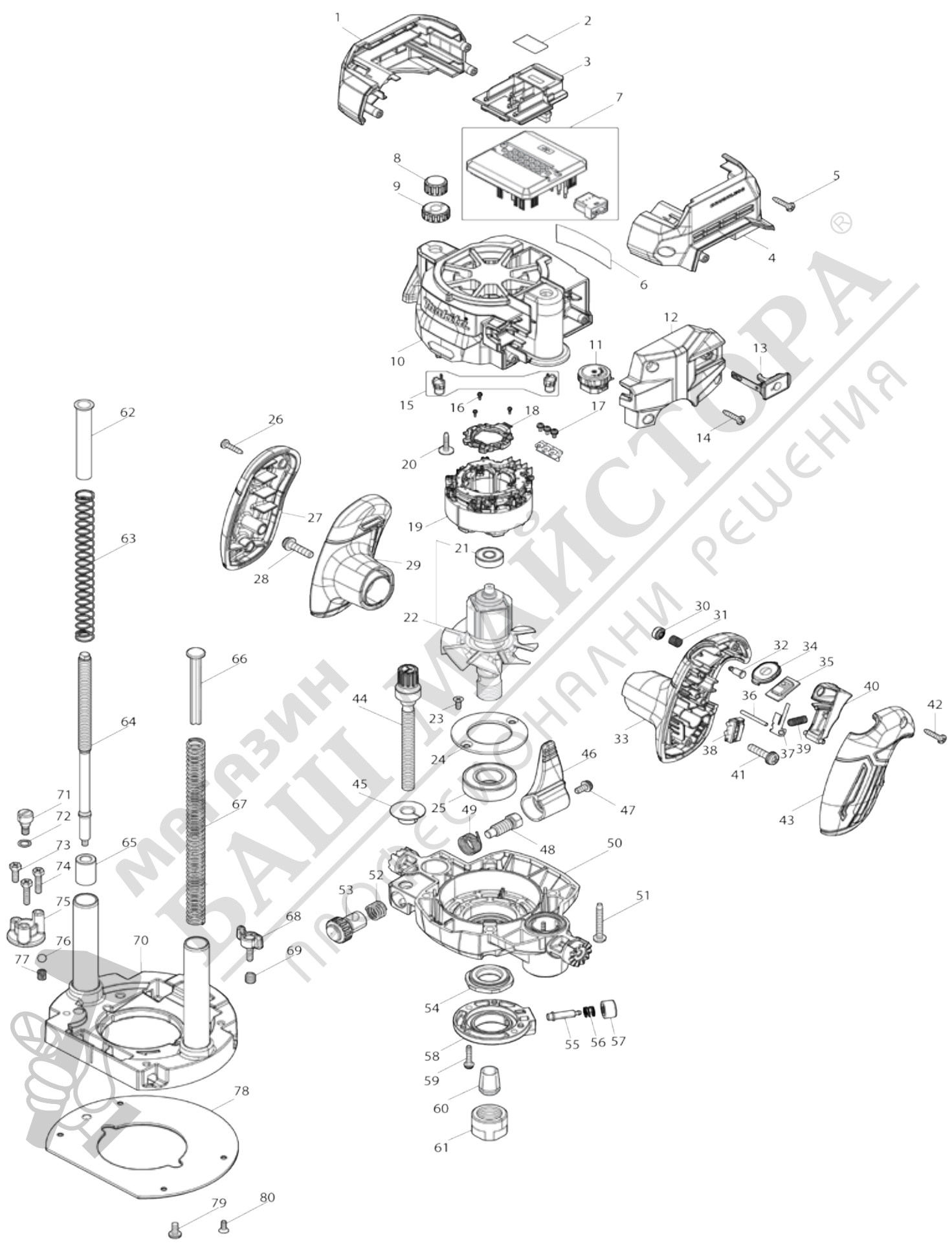


Model No. RP001G CORDLESS ROUTER



Model No.RP001G CORDLESS ROUTER

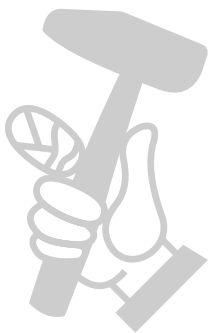
Item No.	Parts No.	Description	Interchangeability	Q'ty	New/Old	Note1	Note2
001	1830L2-6	BATTERY HOUSING SET		1			
C10	263005-3	RUBBER PIN 6		2			
D10		INC. 4					
002	8146D1-4	RP001G SERIAL NO. LABEL		1			
003	632P65-6	TERMINAL UNIT		1			
004	1830L2-6	BATTERY HOUSING SET		1			
C10	263005-3	RUBBER PIN 6		2			
D10		INC. 1					
005	266326-2	TAPPING SCREW 4X18		3			
006	8146C9-1	RP001G NAME PLATE		1			
007	620P41-2	CONTROLLER		1			
008	252643-6	WING NUT M10		1			
009	410129-8	NYLON NUT M10		1			
010	137116-9	MOTOR HOUSING ASSEMBLY		1			
011	620P09-8	DIAL CIRCUIT		1			
012	4130A2-8	MOTOR HOUSING COVER		1			
013	140F99-0	CAP COMPLETE		1			
C10	213A05-9	O-RING16		1			
014	266326-2	TAPPING SCREW 4X18		3			
015	620P08-0	LED CIRCUIT		1			
016	652119-7	PAN HEAD SCREW M2X6		3			
017	652031-1	PAN HEAD SCREW M3X6		3			
018	620P30-7	SENSOR UNIT		1			
019	629A40-1	STATOR		1			
020	265620-9	TAPPING SCREW FLANGE 4X18		2			
021	210005-4	BALL BEARING 608DDW		1			
022	519853-1	ROTOR ASS'Y		1			
D10		INC. 21					
023	265135-6	+ COUNTERSUNK HEAD SCREW M4X10		2			
024	285711-0	BEARING RETAINER 50		1			
025	211326-7	BALL BEARING 6004DDW		1			
026	266326-2	TAPPING SCREW 4X18		2			
027	1830L5-0	GRIP COVER SET		1			
D10		INC. 29					
028	911343-4	PAN HEAD SCREW M6X25		1			
029	1830L5-0	GRIP COVER SET		1			
D10		INC. 27					
030	4130B0-9	LOCK ON BUTTON		1			
031	233127-3	COMPRESSION SPRING 7		1			
032	256A77-1	COLLARED PIN 6		1			
033	1830L4-2	GRIP COVER SET		1			
D10		INC. 43					
034	142303-7	SWITCH PLATE COMPLETE		1			
035	620P29-2	SWITCH CIRCUIT		1			
036	256267-0	PIN 3		1			
037	232672-5	LEAF SPRING		1			
038	632V51-3	SWITCH UNIT		1			

039	231372-4	COMPRESSION SPRING 5	1		
040	4130A8-6	SWITCH LEVER	1		
041	911343-4	PAN HEAD SCREW M6X25	1		
042	266326-2	TAPPING SCREW 4X18	2		
043	1830L4-2	GRIP COVER SET	1		
D10		INC. 33			
044	265739-4	THUMB SCREW M10X90	1		
045	452474-5	DEPTH POINTER	1		
046	450950-3	LOCK LEVER	1		
047	911213-7	PAN HEAD SCREW M5X12	1		
048	265D65-5	SET BOLT M10	1		
049	233538-2	TORSION SPRING 15	1		
050	141V92-3	MOTOR BRACKET COMPLETE	1		
051	266373-3	TAPPING SCREW 5X35	4		
052	231231-2	COMPRESSION SPRING 12	1		
053	153476-1	HALF NUT COMPLETE	1		
054	285059-0	RETAINER	1		
055	268234-3	COLLARED PIN 6	1		
056	233072-2	COMPRESSION SPRING 8	1		
057	450942-2	PUSH BUTTON	1		
058	312F22-7	RETAINER COVER	1		
059	911138-5	P.H.SCREW M4X20 WITH WR	2		
060	763628-2	COLLET CONE 12MM	1		
061	763629-0	COLLET NUT	1		
062	450943-0	SILENT POLE	1		
063	233303-9	COMPRESSION SPRING 13	1		
064	327D67-0	SCREW M10	1		
065	257735-6	SLEEVE 9	1		
066	417252-0	POLE	1		
067	232877-7	COMPRESSION SPRING 12	1		
068	265761-1	THUMB SCREW M5X16	2		
069	231240-1	COMPRESSION SPRING 7	2		
070	141V93-1	BASE COMPLETE	1		
071	251467-7	- FLAT HEAD SCREW M6	1		
072	213030-4	O RING 8	1		
073	265586-3	+HEX. BOLT M5X14	1		
074	265587-1	+HEX. BOLT M5X20	2		
075	315931-3	STOPPER	1		
076	216022-2	STEEL BALL 7.0	1		
077	231419-4	COMPRESSION SPRING 5	1		
078	4130A3-6	BASE PLATE	1		
079	265133-0	+ BINDING HEAD SCREW M5X10	2		
080	912112-6	COUNTERSUNK HEAD SCREW M4 X10	4		
A01	122G61-3	HOLDER ASSEMBLY	1		
A02	122850-4	DUST NOZZLE ASS'Y	1		
A03	345387-6	TEMPLET GUIDE 16	1		
A04	763811-1	COLLET SLEEVE 6	1		
A05	763812-9	COLLET SLEEVE 8	1		
A06	781034-9	WRENCH 8-24	1		
A07	4130A9-4	CHIP DEFLECTOR	1		
A08	256861-8	ROD 8	2		

A09	342428-9	STRAIGHT GUIDE		1			
A10	821552-6	CONNECTOR PLASTIC CASE (TYP E4)		1			
C10	453974-8	LATCH		4			
A11	836138-3	INNER TRAY		1			

Please state Parts No. when your order.

Print Date 04/22/2024



МАГАЗИН
БАШ МАЙСТОРА®
ПРОФЕСИОНАЛНИ РЕШЕНИЯ