

# HIKOKI

## CORDLESS ROTARY HAMMER DH1826DA

Item No.	Code No.	Description	No. Used	Remarks
1	375363	GRIP SET	1	INCLUD. 2-7, 20
2	306345	FRONT CAP	1	
3	306340	STOPPER RING	1	
4	374436	GRIP	1	
5	374437	BALL HOLDER	1	
6	374435	HOLDER PLATE	1	
7	322812	HOLDER SPRING	1	
8	379084	TAPPING SCREW (W/FLANGE) D5 (BLACK)	4	
9		NAME PLATE	1	
10	335259	OIL SEAL	1	
11	6805BB	BALL BEARING 6805	1	
12	322789	PUSHING BUTTON	1	
13	317223	PUSHING SPRING	1	
14	334011	CHANGE LEVER	1	
15	878885	O-RING (S-18)	1	
16	379955	GEAR COVER ASS'Y	1	INCLUD. 18
17	335800	SPRING (E)	1	
18	608VVM	BALL BEARING 608VVC2PS2L	1	
19	374422	SHAFT HOLDER (B)	1	
20	335300	STEEL BALL D7.0 (10 PCS.)	1	
21	374426	CYLINDER	1	
22	335265	SECOND GEAR	1	
23	374430	SPRING (B)	1	
24	301679	WASHER (A)	2	
25	948310	RETAINING RING FOR D30 SHAFT	1	
26	335262	OIL SEAL (A)	1	
27	375014	HAMMER HOLDER (D)	1	
28	374432	SECOND HAMMER	1	
29	374429	HAMMER HOLDER (A)	1	
30	322805	DAMPER (A)	1	
31	322808	O-RING (C)	1	
32	324524	DAMPER HOLDER	1	
33	322807	STOPPER RING	1	
34	374443	STRIKER	1	
35	372816	O-RING	1	
36	372817	PISTON	1	
37	335794	PISTON WASHER	2	
38	990079	SEAL LOCK HEX. SOCKET HD. BOLT M5X16	4	
39	379079	INNER COVER (B)	1	
40	370310	O-RING	1	
41	379947	SUPPORT (B)	2	
42	379088	INNER COVER (A)	1	
43	877839	SEAL LOCK HEX. SOCKET HD. BOLT M5X10	2	
44	334008	AIR CAP	1	
45	324543	FELT PACKING (A)	1	
46	335793	PISTON PIN	1	
47	335249	RECIPROCATING BEARING	1	
48	379930	BEARING WASHER	1	
49	370312	BEARING HOLDER (B)	1	
50	608VVM	BALL BEARING 608VVC2PS2L	1	
51	379082	BEARING COVER (A)	1	
52	379083	BEVEL GEAR	1	
53	379068	SHUTTER	1	

\* ALTERNATIVE PARTS

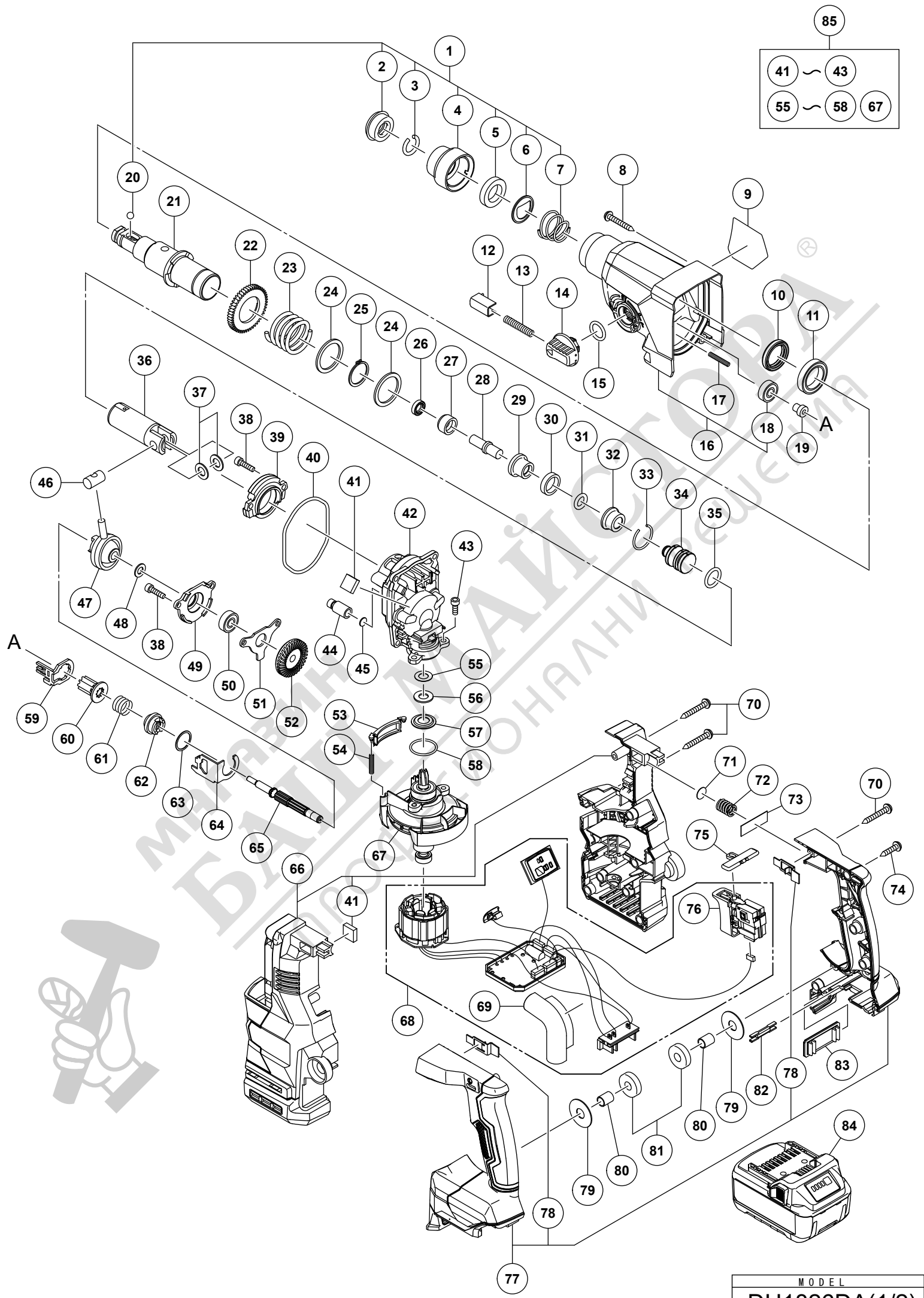
# HIKOKI

## CORDLESS ROTARY HAMMER DH1826DA

Item No.	Code No.	Description	No. Used	Remarks
54	379069	SHUTTER SPRING	2	
55	379946	DUST WASHER	1	
56	370315	FELT PACKING	1	
57	379078	PACKING WASHER	1	
58	872470	O-RING (S-26)	1	
59	374434	LOCK PLATE	1	
60	374440	SECOND PINION	1	
61	323182	CLUTCH SPRING	1	
62	375022	CLUTCH	1	
63	331315	WASHER	1	
64	374439	CHANGE PLATE (C)	1	
65	379080	SECOND SHAFT	1	
*66	379087	HOUSING (A). (B) SET	1	INCLUD. 41
67	361188	ROTOR (A)	1	
68	341155	WIRING ASS'Y (A)	1	INCLUD. 69, 76
69	379957	SUPPORT (B)	1	
70	306664	TAPPING SCREW (W/FLANGE) D4X40 (BLACK)	3	
71	379138	HOUSING PLATE	1	
72	379074	HANDLE SPRING	1	
73	379137	HANDLE PLATE	1	
74	301653	TAPPING SCREW (W/FLANGE) D4X20 (BLACK)	12	
75	324225	PUSHING BUTTON (B)	1	
76	379067	SPEED CONTROL SWITCH	1	
77	379071	HANDLE (A). (B) ASS'Y	1	INCLUD. 78
78	379072	HANDLE GUIDE	2	
79	379076	HANDLE WASHER	2	
80	379075	HANDLE COLLAR	2	
81	379073	HANDLE DAMPER	2	
82	379929	HANDLE COVER	1	
83	373521	BATTERY RUBBER (B)	1	
85	379943	INNER COVER ASS'Y (A)	1	INCLUD. 41-43, 55-58, 67
		STANDARD ACCESSORIES		
502	374447	SIDE HANDLE	1	
504	303709	DEPTH GAUGE	1	
		OPTIONAL ACCESSORIES		
*601	379135	DUST EXTRACTION UNIT (IN CARTON BOX)	1	
*602	379136	DUST EXTRACTION UNIT (IN STACKABLE CASE)	1	EXCEPT FOR USA, CAN
603	303332	HAMMER DRILL CHUCK SET 13MM	1	INCLUD. 604, 605
604	303334	CHUCK HANDLE	1	
605	303335	RUBBER CAP	1	
606	321825	DRILL CHUCK AND ADAPTER SET	1	INCLUD. 607, 608
607	303623	CHUCK ADAPTER (G) (SDS PLUS)	1	
608	321814	DRILL CHUCK 13VLRB-D	1	INCLUD. 609, 610
609	331966	FLAT HD. SCREW (LEFT HAND) M6X20	1	
610	303334	CHUCK HANDLE	1	
611	321813	DRILL CHUCK 13VLD-D	1	INCLUD. 604
612	971787	DUST CUP	1	
613	931844	STOPPER	1	
614	971511Z	+ DRIVER BIT (A) NO.2 25L	1	
615	971512Z	+ DRIVER BIT (A) NO.3 25L	1	
616	306885	DUST COLLECTOR (B) ASS'Y	1	INCLUD. 617
617	306910	SOCKET ADAPTER (B)	1	
*618	378023	DUST COLLECTION ADAPTER SET (A)	1	

\* ALTERNATIVE PARTS





85
41 ~ 43
55 ~ 58 67

