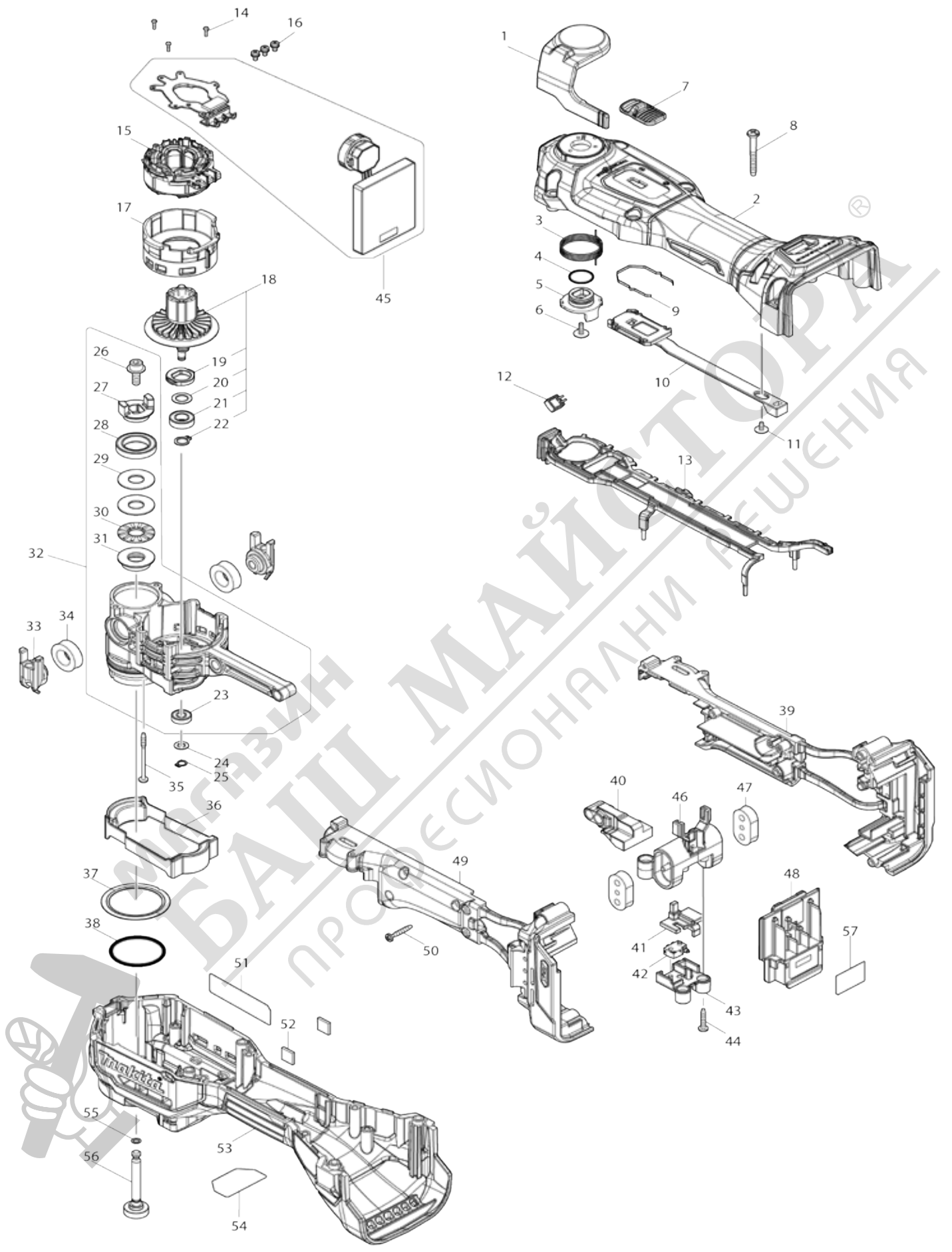


Model No. TM001G Cordless Multi Tool



Model No.TM001G Cordless Multi Tool

Item No.	Parts No.	Description	Interchangability	Q'ty	New/Old	Note1	Note2
001	137159-1	Lever assembly		1			
C10	263032-0	Rubber pin 4		1			
002	1831A6-7	Housing set		1			
002		INC. 52,53,54			*		
002		INC. 53,54					
003	232680-6	Torsion spring 25		1			
004	213070-2	O-ring 10		1			
005	313517-7	Driver B		1			
006	265B82-3	Pan head screw M3X10 WR		1			
007	413G34-0	Switch knob		1			
008	266351-3	Binding head tapping screw 4X35		8			
009	232906-6	Leaf spring		1			
010	4131D9-1	Switch lever A		1			
011	265B81-5	Flange tapping screw 3X6		1			
012	620E79-1	LED circuit		1			
013	413400-9	LED guide		1			
014	266490-9	Pan head tapping screw 2X6		3			
015	629C79-6	Stator		1			
016	652069-6	Flat head screw M3X6		3			
017	413394-8	Motor housing		1			
018	519683-0	Rotor assembly		1			
C10	210248-8	Ball bearing 6901DDW		1			
C20	253492-4	Flat washer 21		1			
018		INC. 19-22					
019	313361-2	Balancer		1			
020	253777-8	Flat washer 8		1			
021	210249-6	Ball bearing 688LLU		1			
022	961004-6	Retaining ring (EXT) S-8		1			
023	210281-0	Ball bearing 695DDW		1			
024	253811-4	Flat washer 5		1			
025	961008-8	Retaining ring (EXT) S-5		1			
026	265B79-2	Hex. socket head bolt M5X14 GM		1			
027	313516-9	Driver A		1			
028	210150-5	Ball bearing 6803DDW		1			
029	216054-9	Washer 1024		2	*		
029-1	253617-0	Flat washer 10	O	1			
030	216055-7	Thrust needle cage 1024		1			
031	224616-9	Flange 10		1			
032	137120-8	Crank housing assembly		1			
032		INC. 23,26-31					
033	413401-7	Cushion support F		2			
034	422677-5	Cushion F		2			
035	266327-0	Binding head tapping screw 3X40		4			
036	422721-8	Cap		1			
037	422B02-2	Rubber ring 35		1			
038	213497-6	O-ring 31.5		1			

039	1830W2-3	Inner housing set		1		
C10	263005-3	Rubber pin 6		2		
039		INC. 49				
040	313365-4	Weight		1		
041	4131E0-6	Switch lever B		1		
042	632S34-5	Switch unit		1		
043	4131E2-2	Switch base		1		
044	266429-2	Binding head tapping screw 3X1 6		2		
045	620P59-3	Controller		1		
046	4131E1-4	Switch cover		1		
047	422678-3	Cushion R		2		
048	632P65-6	Terminal unit		1		
049	1830W2-3	Inner housing set		1		
C10	263005-3	Rubber pin 6		2		
049		INC. 39				
050	251497-8	Binding head tapping screw 3X2 0		8		
051	8147N1-0	Name plate TM001G		1		
052	422679-1	Cushion M		2	*	
053	1831A6-7	Housing set		1		
053		INC. 2,52,54			*	
053		INC. 2,54				
054	8032F3-5	Indication label		1		
055	213032-0	O-ring 4		1		
056	327769-4	Holder bolt		1		
057	8147N3-6	Serial No. label TM001G		1		
A01	821551-8	Connector plastic case (type 3)		1		
C10	453974-8	Latch		4		
A02	836313-1	Inner tray		1		
A03	191R02-6	Dust extractor attachment set		1		
A04	821852-4	Tool box		1		
C10	413608-5	Slide latch		1		
A05	B-64814	STARLOCK CUTSAW 32 TMA047 BIM		1		
A06	B-64799	STARLOCK SEGMENTSAW 85 TM A045		1		
A07	B-64939	STARLOCK CUTSAW 32 TMA059 BIM		1		
A08	B-66400	BOW SHAPE PLUNGE CUT SAWB LADE		1		
A09	B-21624	ABRASIVEPAPER DELTA RED 60		1		
A10	B-22947	ABRASIVEPAPER DELTA RED 100		1		
A11	B-22953	ABRASIVEPAPER DELTA RED 150		1		
A12	B-65115	STARLOCK SANDING PAD 93 TM A078		1		
A13C	***DC40RA	DC40RA FAST CHARGER		1		
A13C		COMPO-PARTS				
A14C	412393-7	Battery cover		1		
A15C	191B36-3	Battery BL4025 set		2		
F03	1917W9-7	DEPTH GAUGE ASSEMBLY SET		1		

Please state Parts No. when your order.

Print Date 01/26/2026